

# CONTROL CIRCUITS

## SWITCHED MODE POWER CONTROL CIRCUIT

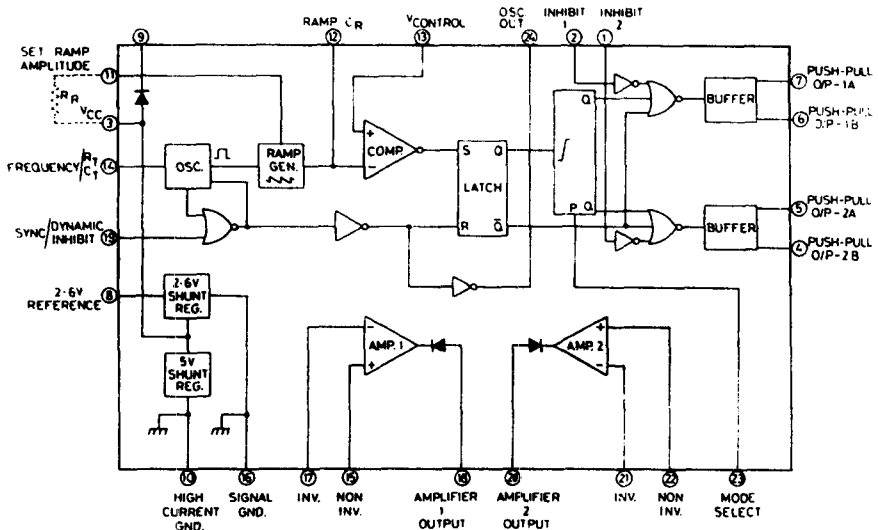
ZN1066E/ZN1066J

The ZN1066E/ZN1066J is a switching regulator control and drive unit which provides all the control and safety features for pulse width modulated push-pull, bridge, series and single ended switching mode power supplies, motor speed control, inverters and general power control applications including thyristor and triac circuits.

The device is designed to supply the pulse width modulated drive to the base of two external power transistors.

### FEATURES

- Voltage reference
- 2 operational amplifiers
- Precision oscillator
- Pulse width modulator
- Pulse steering flip-flop
- Dual alternative output switches
- Dynamic current limiting and shut down circuitry
- All contained within a 24 lead D.I.L.
- Inherently hardened to Nuclear Radiation
- Full military performance: ZN1066J
- 24 lead moulded D.I.L. (E24)



System Diagram