

MSI/LSI, DIGITAL, DIGILIN & LINEAR CIRCUITS

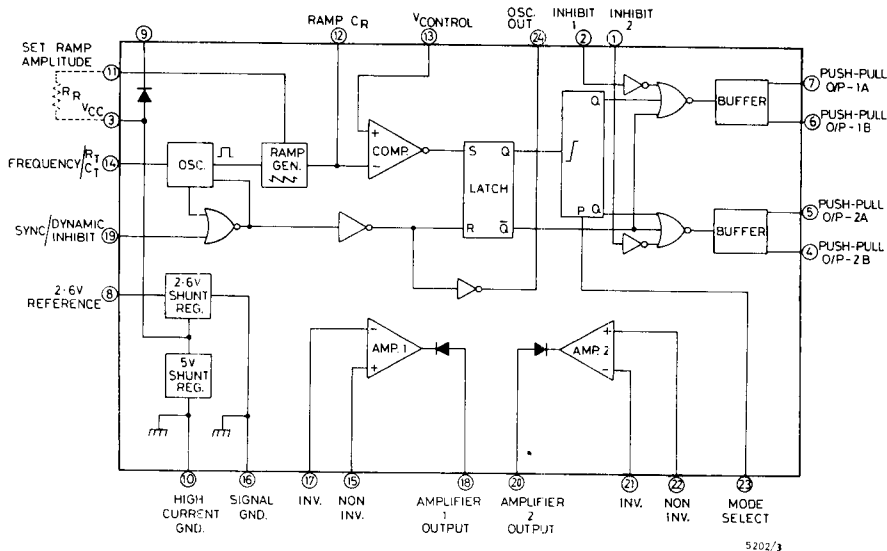
SWITCHED MODE POWER CONTROL CIRCUIT ZN1066E/ZN1066J

The ZN1066E/ZN1066J is a switching regulator control and drive unit which provides all the control and safety features for pulse width modulated push-pull, bridge, series and single ended switching mode power supplies.

This device is designed to supply the pulse width modulated drive to the base of two external power transistors.

FEATURES

- Voltage reference
- 2 operational amplifiers
- Precision oscillator
- Pulse width modulator
- Pulse steering flip-flop
- Dual alternative output switches
- Dynamic current limiting and shut down circuitry
- All contained within a 24 D.I.L.



Logic Diagram