

Signetics

Integrated Circuits – Comparators

μ A710 Series – Differential Voltage Comparator

GENERAL DESCRIPTION

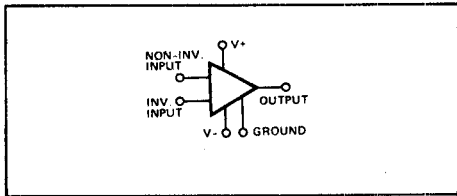
The μ A710 is a High Speed Differential Voltage Comparator featuring low offset voltage, high sensitivity and a wide input voltage range. It is ideally suited for use as a pulse height discriminator, an analog comparator or a digital line receiver. The output structure of the μ A710 is compatible with DTL, TTL and Utilogic integrated circuits.

The μ A710 is specified for operation over the MIL temperature range of -55°C to $+125^{\circ}\text{C}$. The μ A710C is specified for operation over the commercial/industrial temperature range of 0°C to $+75^{\circ}\text{C}$.

FEATURES

- Fast response—40ns
- High sensitivity— 1.7V/mV
- Low offset voltage temperature coefficient— $3.5\mu\text{V}/^{\circ}\text{C}$
- High input voltage range— $\pm 5.0\text{V}$
- Mil std 883A, B, C available

BLOCK DIAGRAM

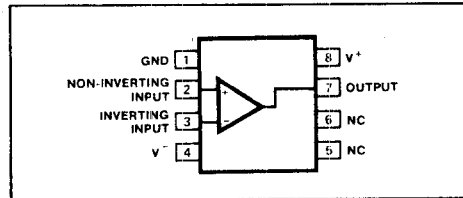


MAXIMUM RATINGS

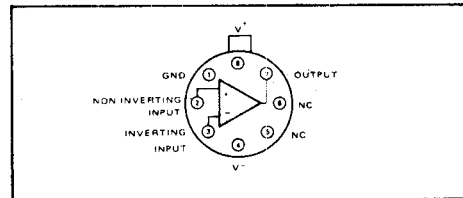
PARAMETER	RATING	UNIT
Positive supply voltage	+14.0	V
Negative supply voltage	-7.0	V
Peak output current	10	mA
Differential input voltage	± 5.0	V
Input voltage	± 7.0	V
Internal power dissipation		
TO-99	300	mW
TO-91	200	mW
Operating temperature range		
μ A710	-55 to $+125$	$^{\circ}\text{C}$
μ A710C	0 to $+75$	$^{\circ}\text{C}$
Storage temperature range	-65 to $+150$	$^{\circ}\text{C}$
Lead temperature (soldering, 60sec)	300	$^{\circ}\text{C}$

CONNECTION DIAGRAM

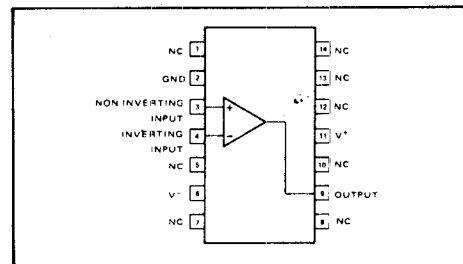
N PACKAGE



T PACKAGE

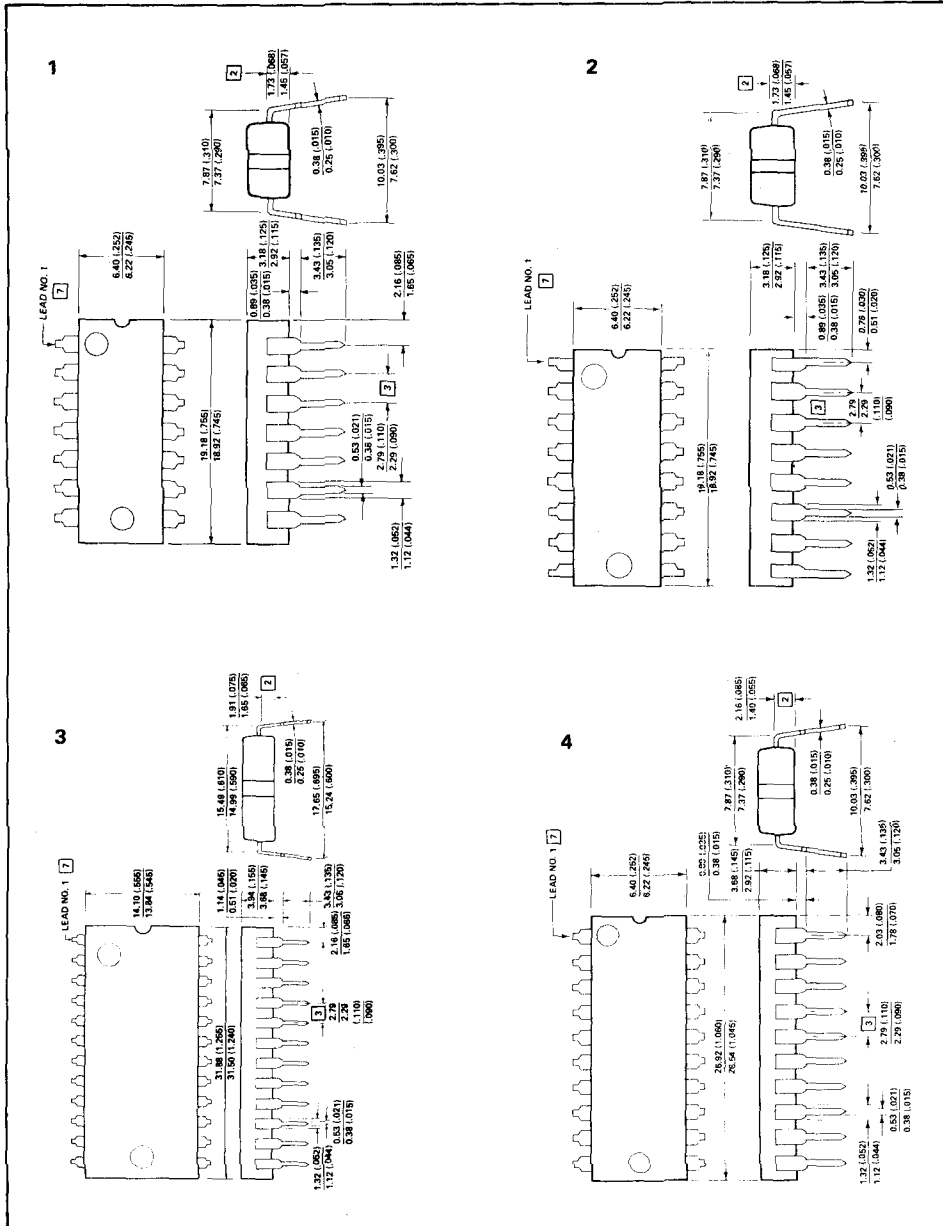


F,N-14 PACKAGE



REFERENCE TABLE

TYPE NO.	STOCK NO.	OUTLINE DRWG. NO.
μ A710F	56017A	1
μ A710T	56018X	7
μ A710CF	56019H	1
μ A710CN	56020X	8
μ A710CN-14	56021R	1
μ A710CT	56022G	7



PLEASE QUOTE STOCK NO.
AND MANUFACTURERS PART NO. WHEN ORDERING



Signetics

Outline Drawings



TTT GEMINI

FOR CURRENT PRICES PHONE
HARLOW (0279) 29644

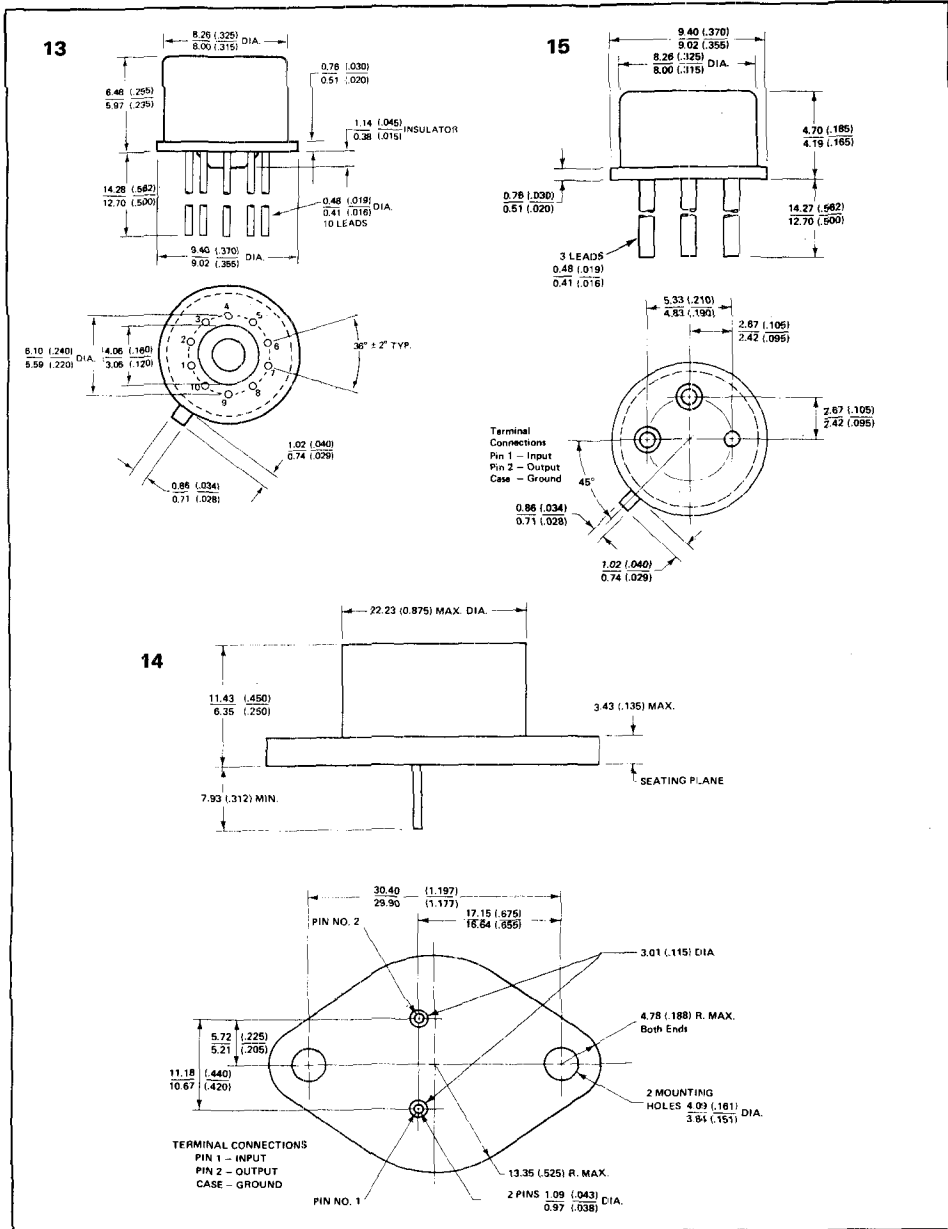


PLEASE QUOTE STOCK NO.
AND MANUFACTURERS PART NO. WHEN ORDERING

ITT GEMINI

Signetics

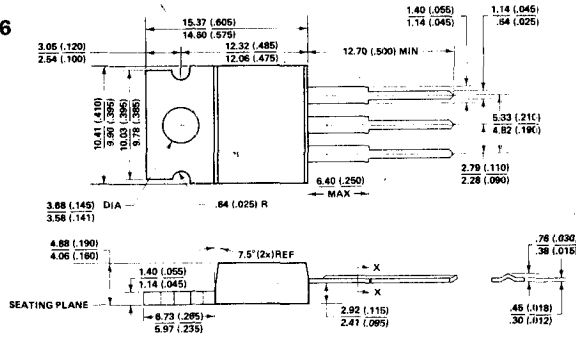
Outline Drawings



ITT GEMINI

FOR CURRENT PRICES PHONE
HARLOW (0279) 29644

16



17



19



PLEASE QUOTE STOCK NO.
AND MANUFACTURER'S PART NO. WHEN ORDERING

TTT GEMINI

