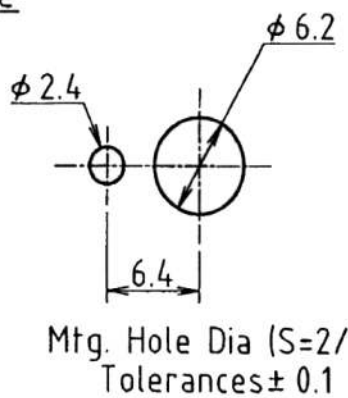
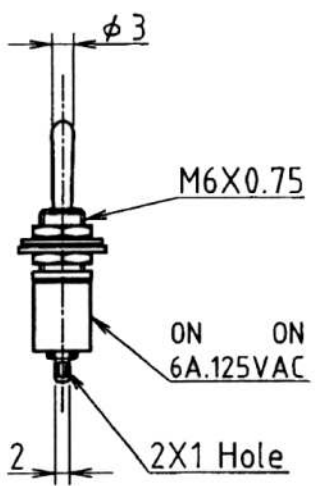
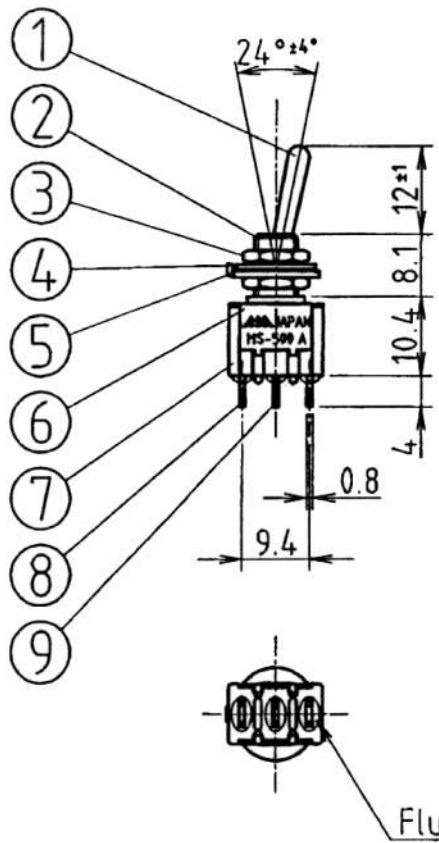
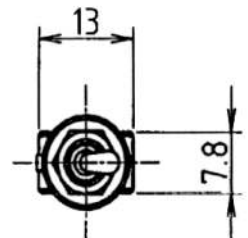


Symbol	Date	Correct	Approved	Drawn



Specification

Rating	6A.125V.AC.
Circuit	SPDT ON-ON
Contact Resistance	20mΩ or less, initial characteristics.
Insulation Resistance	500V,DC. Megger. 100MΩ or more.
Voltage Breakdown	1,000V,AC(Between terminals), 1,500V,AC(Between Live metal parts and dead metal parts) 50/60Hz for 1 minute.
Durability	Rated load with Resistance, 5,000 cycles, Non-load, 30,000 cycles.

Construction

13				
12				
11				
10				
9	Common Terminal	Copper	1	Silver Plated
8	Terminal	Silver-clad copper	2	Silver Plated
7	Body	Melamine Phenolic Resin	1	Blue
6	Frame	Stainless Steel	1	Cleaning
5	Locking Ring	Steel	1	Unichromate
4	Lock Washer	Steel	1	Unichromate
3	Hex Nut	Steel	2	Nickel Plated
2	Metal	Brass	1	Nickel Plated
1	Lever	Brass	1	Chrome Plated
Syn.	Part Name	Material	Qty.	Finish

Designed date	
Drawn date	

Name	MS-500A-B Toggle Switch
Plan No.	MS500A-B

All dimensions in millimeters

Unless otherwise specified tolerances ± 0.5