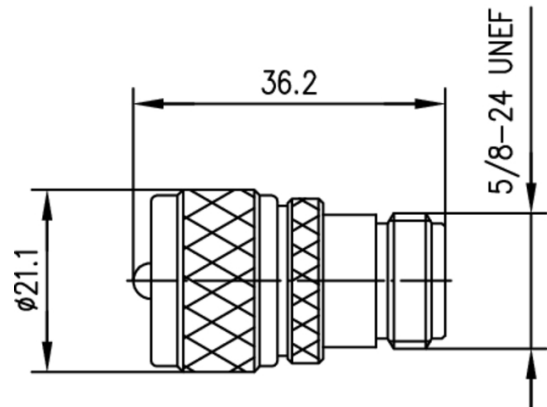


order number: J01043A0831

UHF to N m-f



Technical Attributes	
Type	UHF (m)/N (f)
MIL-Std.	UG-83 B/U
Z	Ω
Cable group; cable	
Dimensions	
Assembly	
Crimp die	