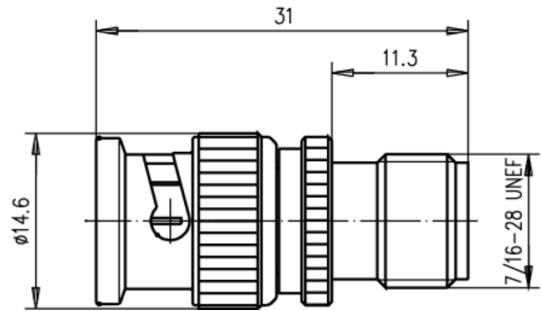


order number: J01008B0010

BNC to TNC m-f



Technical Attributes	
Type	BNC (m)/TNC (f)
Max. Frequency	4 GHz
Return Loss	33dB/1GHz; 28dB/2GHz; 20dB/4GHz
Life	min. 500
Z	Ω
Series	
Finish	
Mount. dim.	