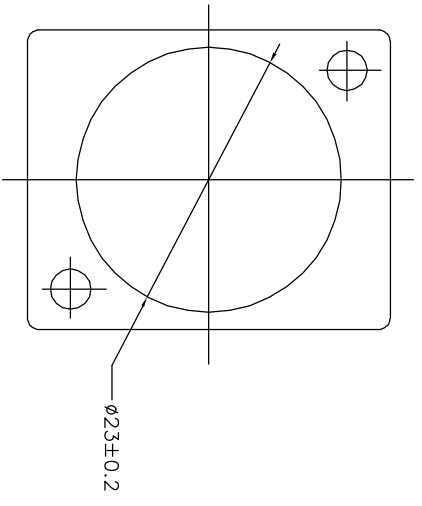
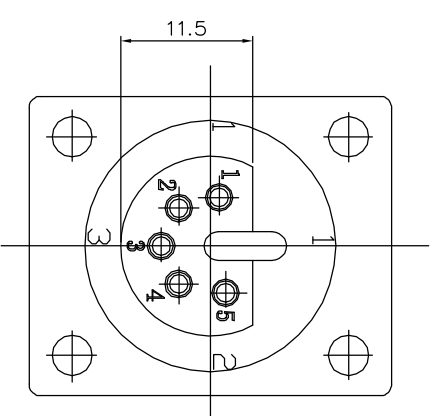
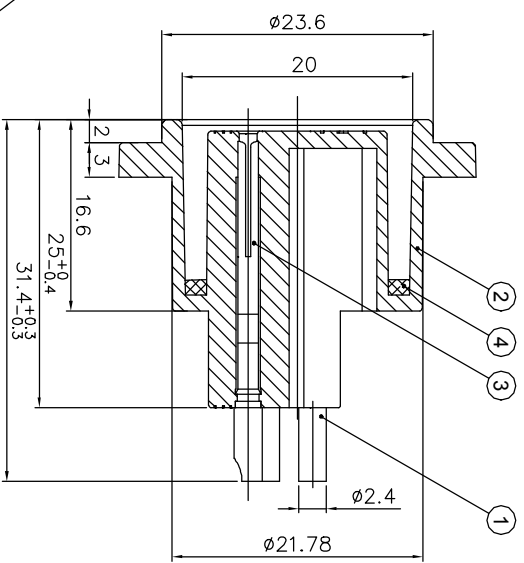
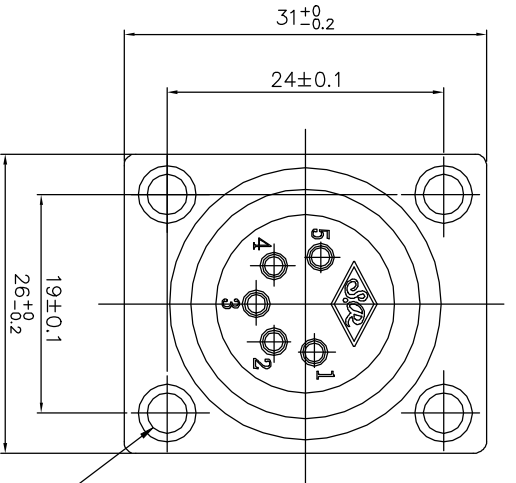
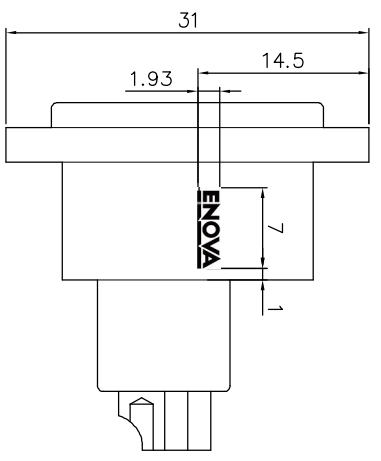
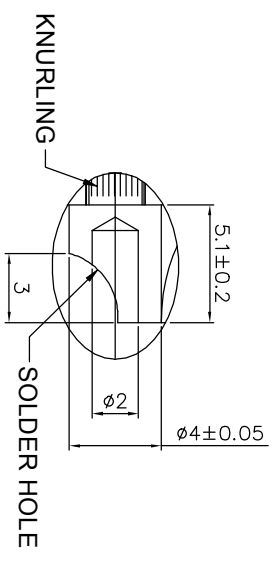


1	2	3	4	5	6	7	8
ISS ZONE		REVISIONS					
DESCRIPTION \ PER REQUEST \ DATE							
V	OPEN	Open drawings to customers					



Ø3.5
countersinking Ø5



ADetail (2/1)

4	O-WASHER	SILICON	ORANGE	1	
3	FEMALE PIN	PHOSPHOR BRONZE	SILVER	5	
2	BODY	PA	BLACK	1	
1	PIN	H59-1	SILVER	5	
NO.	DESCRIPTION	MATERIAL	FINISH		DRAWING NO.

DIMENSIONS ARE IN MILLIMETERS	
UNLESS OTHERWISE SPECIFIED TOLERANCES	
ANGLES = ±5°	
UP TO 6	= ±0.2
6-40	= ±0.4
40-120	= ±0.6
120-315	= ±1
ABOVE 315	= ±1.6
THIRD ANGLE	
SCALE	1.5/1

APPROVED	DATE
CHECKED	DATE
DRAWN	DATE
FILE NO.	
ERP LINK:	

Connector Distribution GmbH	
TITLE XLR FEMALE CHASSIS CONNECTOR, PLASTIC SOLDER PIN SILVER PLATED	
PART NO.	XL15FB-W
REV.	A1