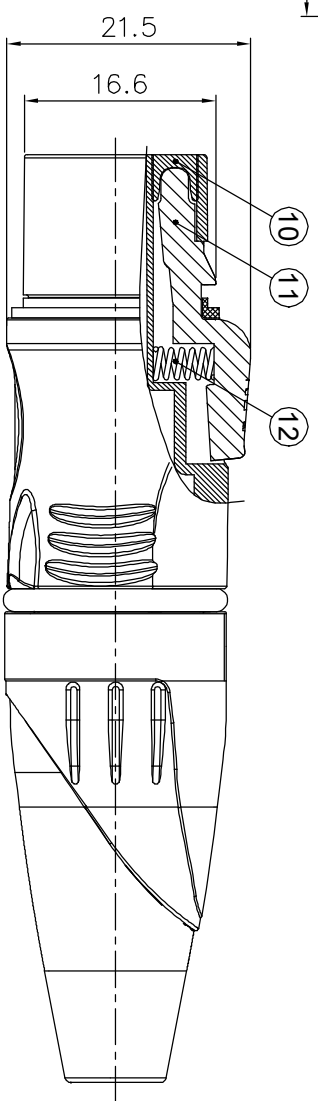
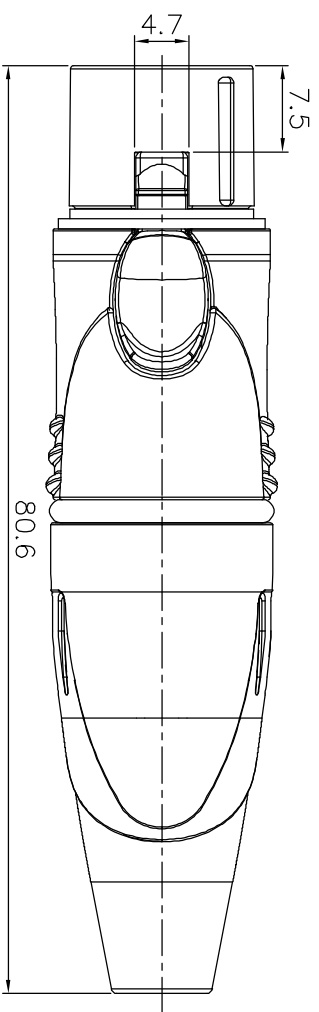
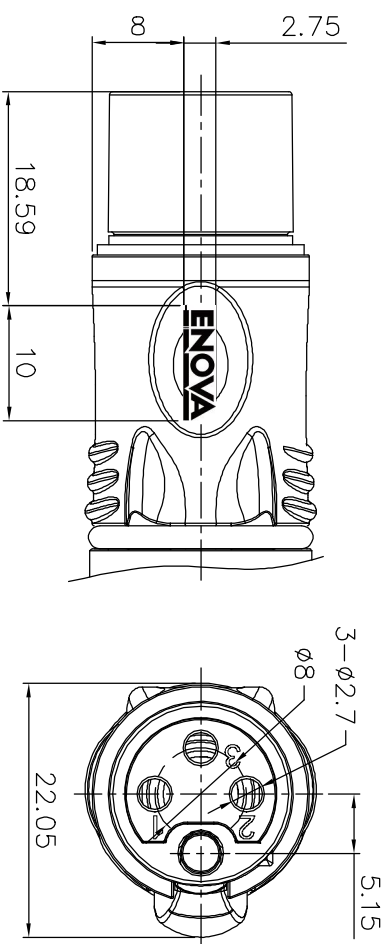
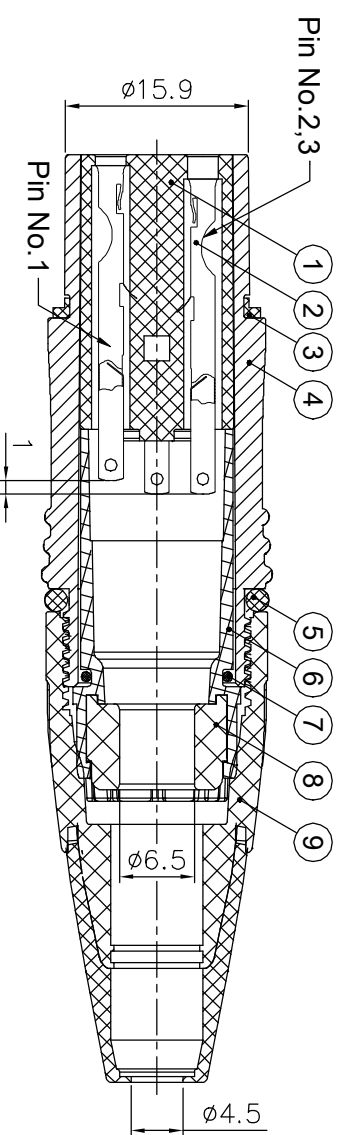


REVISIONS
 DESCRIPTION \ PER REQUEST \ DATE

ISS	ZONE	DESCRIPTION \ PER REQUEST \ DATE
V	OPEN	Open drawings to customers



12	SPRING	SPRING STEEL		1
11	PUSH BUTTTON	ZZnAL4-1	Electro-coating black)	1
10	JAM	H59-1	Zinc black	1
9	CAP+BOOT	PA6+TPR	BK+OR	1
8	WATERPROOF	NBR	BLACK	1
7	O-WASHER	NBR	BLACK	1
6	CABLE CLAMP	PA6	WHITE	1
5	O-WASHER	NBR	BLACK	1
4	DIE-CAST SHELL	ZZnAL4-1	Electro-coating black	1
3	O-WASHER	NBR	BLACK	1
2	FEMALE PIN	PHOSPHOR BRONZE	SILVER	3
1	INSULATOR	PA	BLACK	1

DIMENSIONS ARE IN MILLIMETERS		APPROVED		DATE
UNLESS OTHERWISE SPECIFIED TOLERANCES		CHECKED	DATE	
ANGLES = ±5°		DRAWN	DATE	
UP TO 6 = ±0.2		HAONANHU	2019-8-27	
6-40 = ±0.4		FILE NO.		
40-120 = ±0.6		ERP LINK:		
120-315 = ±1		PART NO.	XL23FB-W	
ABOVE 315 = ±1.6		TITLE	Connector Distribution GmbH	
THIRD_ANGLE	SCALE	WATERPROOF 3P XLR FEMALE CONNECTOR PLATED SILVER PIN		
1:5/1	1:5/1	REV.	A1	

1 2 3 4 5 6 7 8