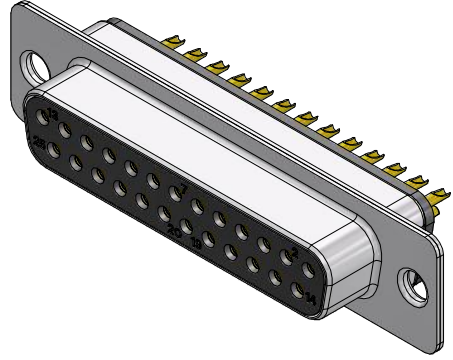
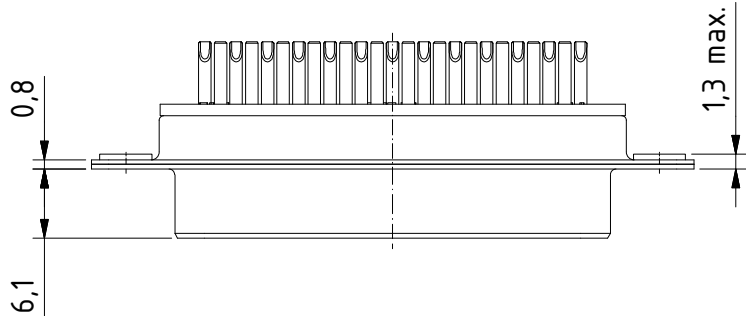
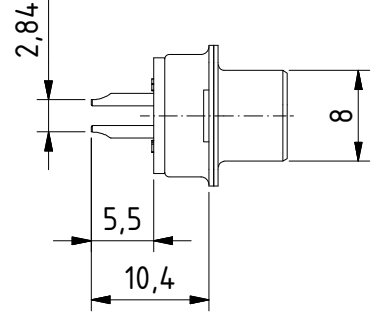
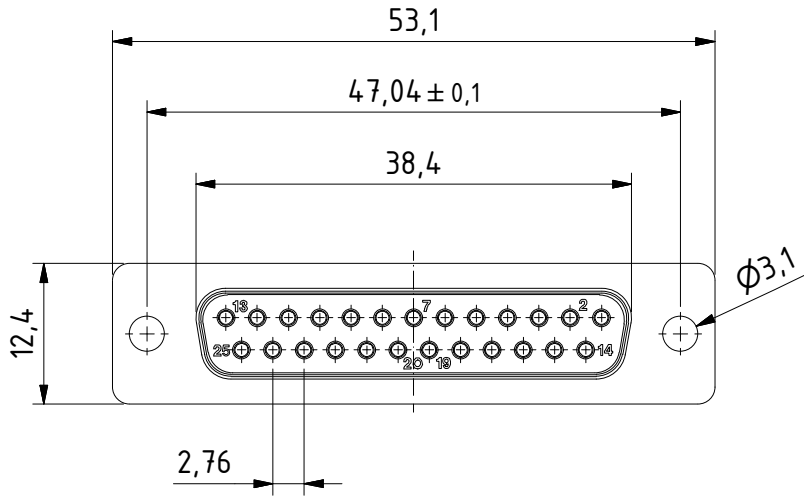


RoHS compliant



suitable for cable AWG 22

Capacitor value 1'000 pF

**MATERIALS**

- Insulator: Thermoplastic UL 94-V-0 black
- Contact: Copper alloy
- Contact finish: Quality class 2
- Shell: steel tin plated

**CHARAKTERISTICS**

- Working voltage: 100V
- Current rating: 5A
- Contact resistance: max. 10mΩ - DIN41652
- Insulation resistance: >1GΩ
- Temperature range: -55° to +125°C

General tolerances (Delttron standard)	
size in mm	tolerances
> 0.5	±0.1
up to 3	±0.2
> 3	±0.2
up to 6	±0.2
> 6	±0.2
up to 30	±0.2
> 30	±0.3
up to 120	±0.3

modification	Rev.	Rev.	Rev.	DE002755 part no.
	Rev.	Rev.	Rev.	
D25SZ/2FP102	1.5:1 scale	drawn	06.11.2007	mr
		checked		
		approved		
 Industrie Neuhof 8c CH-3422 Kirchberg		K052009 drawing no.		