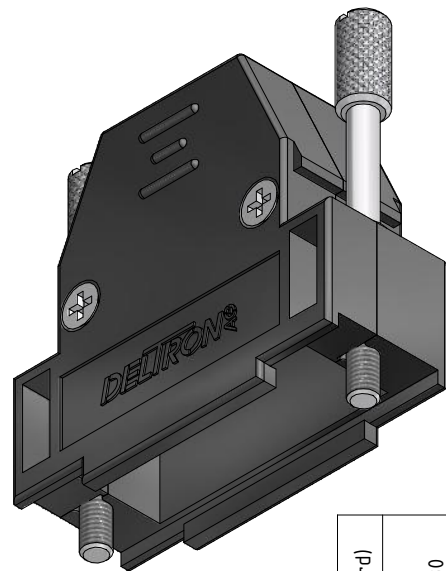
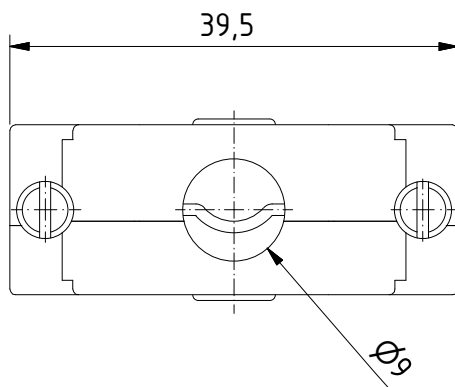
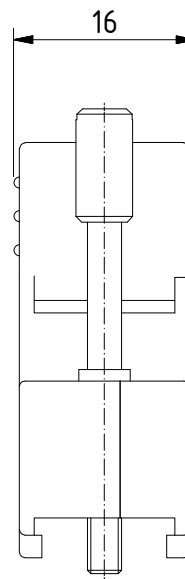
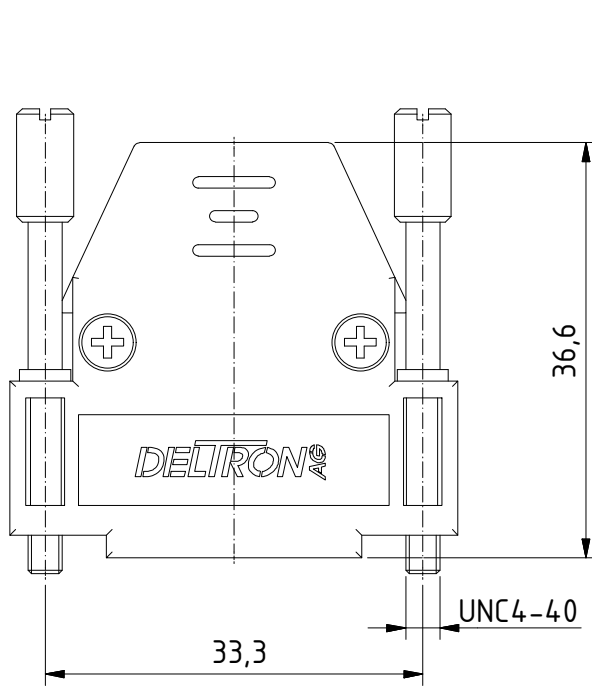


RoHS compliant



MATERIALS


- Hood: thermoplastic black

CHARACTERISTICS

- Temperature range: -40°C to +85°C
- Housing screw: with pressed in grommet
- Straight cable outlet
- Preassembled metal strain relief
- Two mobile assembled screws

-Set packed in bag

General tolerances (Deltron standard)			
size in mm			
> 0.5	> 3	> 6	> 30
up to 3	up to 6	up to 30	up to 120
tolerances			
±0.1	±0.2	±0.2	±0.3

modification	Rev.	Rev.	Rev.	DE001451 part no.		
	Rev.	Rev.	Rev.			
CTL15UN4	1.5:1 scale	drawn	13.05.2013	mw		
		checked				
		approved				
 Industrie Neuhof 8c CH-3422 Kirchberg		K060070 drawing no.				