



ECG1119

DIRECT-COUPLED 2-STAGE AMPLIFIER

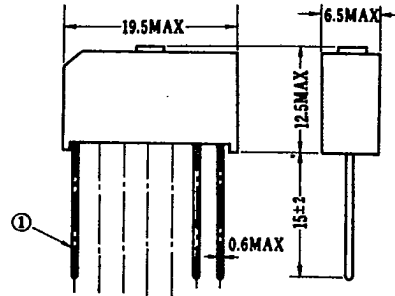
T-74-05-01

DIRECT-COUPLED 2-STAGE AMPLIFIER

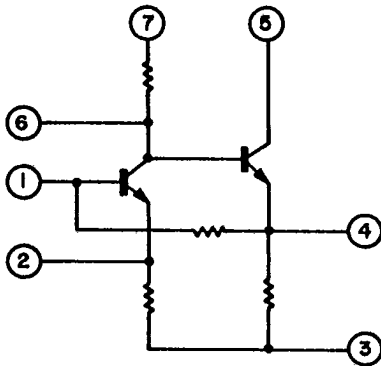
The ECG1119 contains a 12V typ (supply voltage) direct-coupled 2-stage amplifier driving a power amplifier with input transformer and is suitable for use in car stereos, tape recorders, cassette recorders, audio amplifiers, etc.

OUTLINE DIMENSIONS

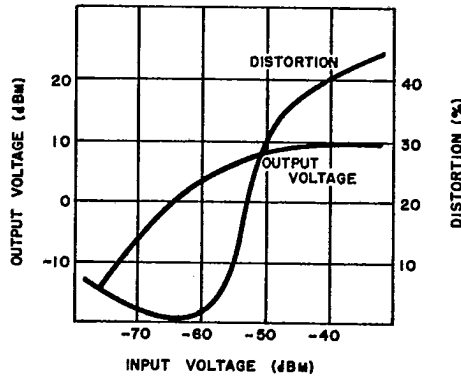
Dimensions in MM



CIRCUIT DIAGRAM



INPUT-OUTPUT RESPONSE

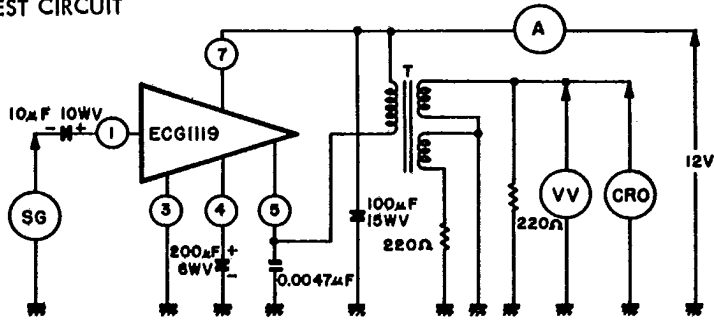


SPECIFICATIONS

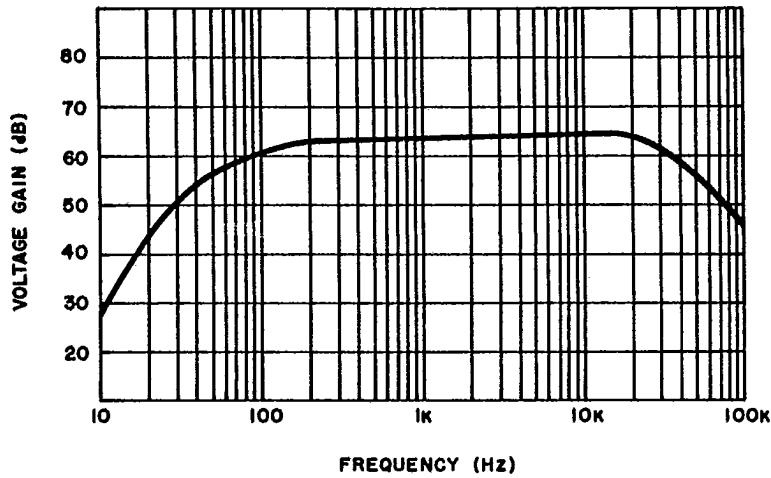
ITEM	CHARACTERISTIC VALUE	CONDITIONS
SUPPLY VOLTAGE (V _{cc})	8~15V 12V typ.	
CURRENT DRAIN	7~13mA 9mA typ.	V _{cc} = 12V
VOLTAGE GAIN	58~68dB 63dB typ.	f = 1KHz, V _{cc} = 12V
DISTORTION (K)	4% max. 2% typ.	V _{out} = -10dBm, V _{cc} = 12V
MAX OUTPUT VOLTAGE	0.7V min. 1.4V typ.	K = 10%, V _{cc} = 12V
INPUT IMPEDANCE	1KΩ min. 4KΩ typ.	f = 1KHz V _{cc} = 12V
FREQUENCY RANGE	20KHz min. 30KHz typ.	-3dB range

T-74-05-01

TEST CIRCUIT



FREQUENCY RESPONSE



TYPICAL APPLICATION

