

FMA8024BS-M

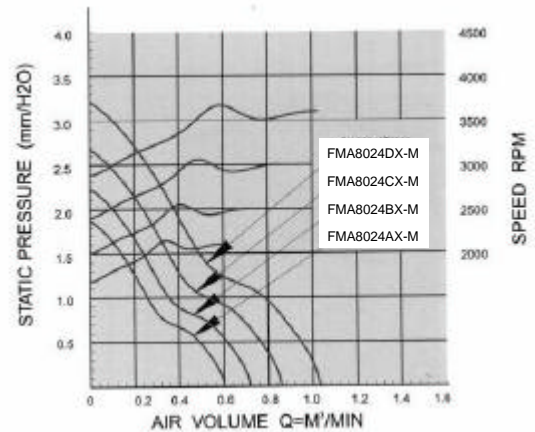
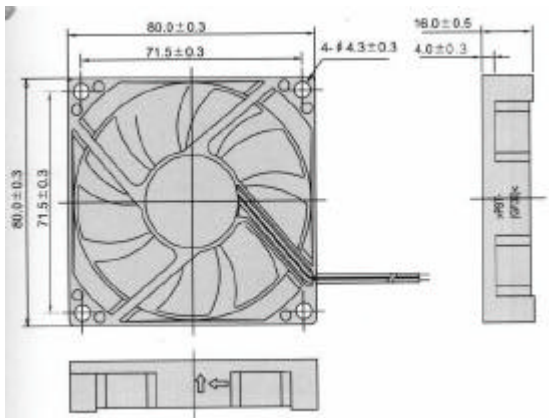
80X80X16

0.60~1.028 M³/MIN

MATERIAL

Frame	Plastic PBT 94V0
Impeller	Plastic PBT 94V0
Lead Wire	AWG26 "+" Red "-" Black StandardUL 1007
Option	Signal output
Bearing	Sleeve Bearing

Dimensions in mm



Model	FMA8024BS-M
Rated Voltage DCV	24
Operating Voltage DCV	12.0-26.4
Rated Input W	1.92
Rated Current A	0.08
Operating Temperature °C	-10~70
Storage Temperature °C	-40~70
Speed RPM	2500
Max, Air Flow M ³ /Min(CFM)	0.7156(25.23)
Max, Air Pressure mmH2O	2.23
Noise DB	31.5
Bearing	○
Weight (g)	APPROX.76

○: Sleeve Bearing