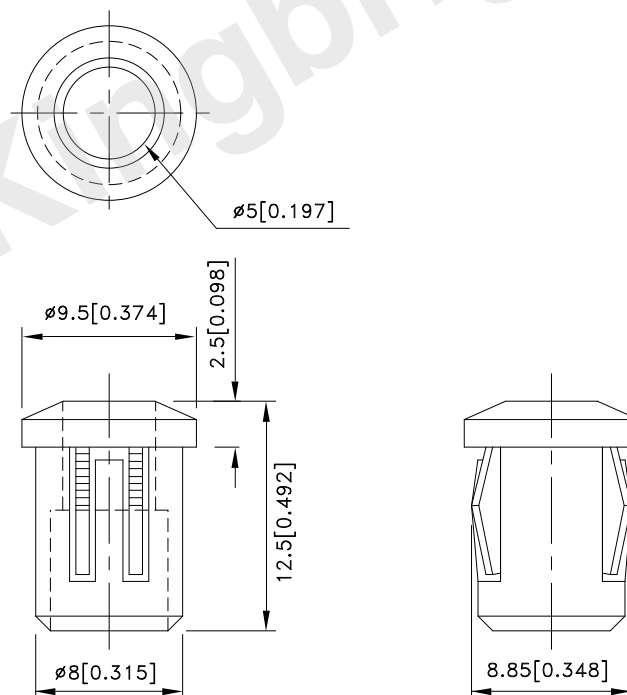


Part Number: RTF-5010

Features

- Suitable for back panel illumination, circuit board indicator, LED indicator.
- Housing UL rating: 94V-0.
- Housing material: type 66 nylon.
- Recommended hole size: $\Phi 8.1$ mm.
- RoHS compliant.

Package Dimensions



Notes:

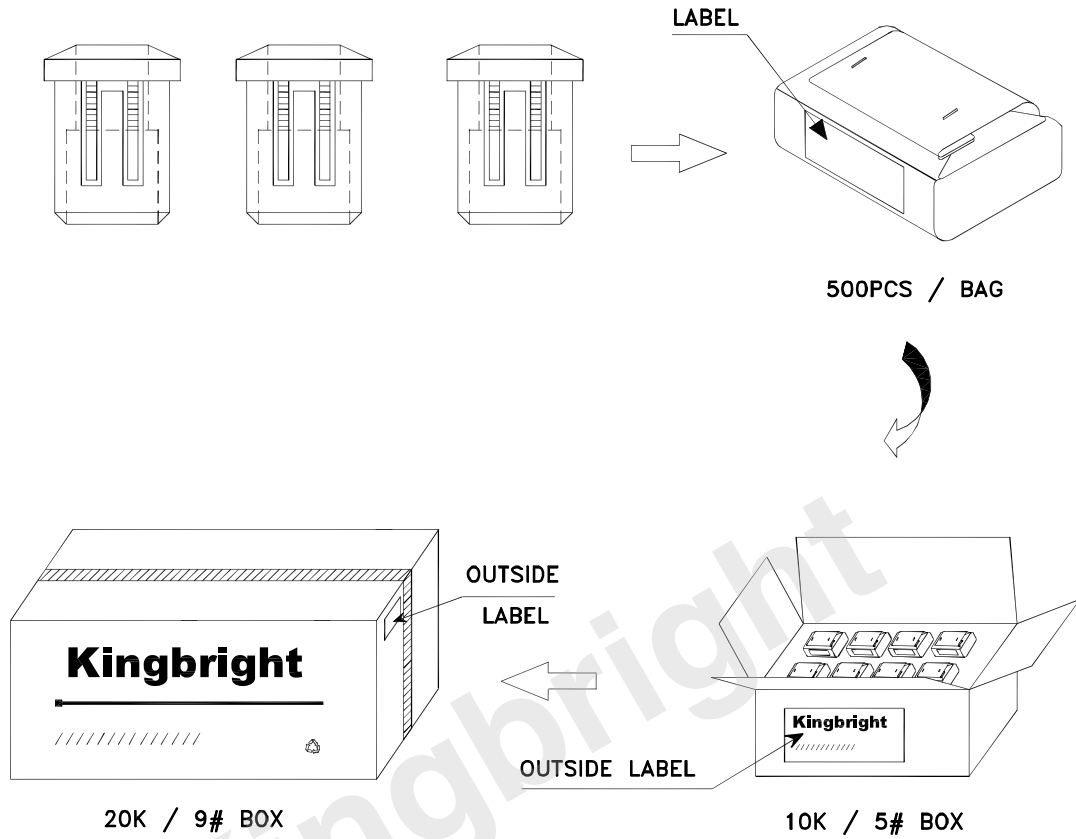
1. All dimensions are in millimeters (inches).
2. Tolerance is ± 0.25 (0.01") unless otherwise noted.
3. The specifications, characteristics and technical data described in the datasheet are subject to change without prior notice.




Kingbright

PACKING & LABEL SPECIFICATIONS

RTF-5010



<h1>Kingbright</h1>		
P/NO: RTF-5010		
QTY: 500 pcs	Q.C.	Q C XX XX XXXX PASSED
S/N: XXXX		
CODE: XXX		
LOT NO:		
 xxxxxxxxxxxxxxxxxxxxxxxxxxxxxxxxxxxx		
RoHS Compliant		