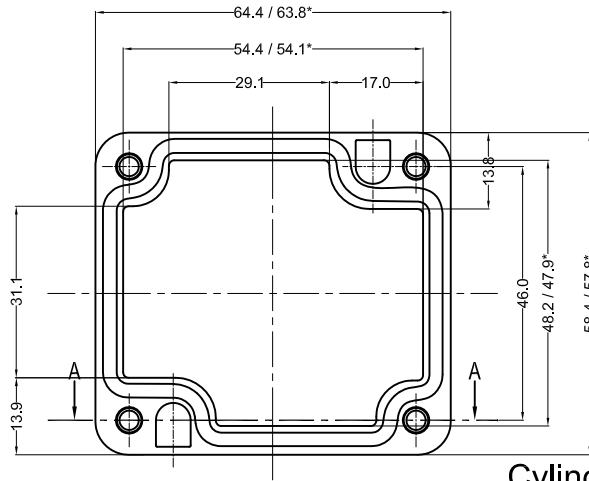
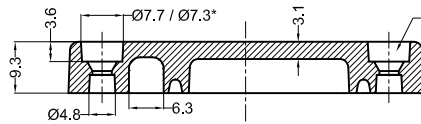


* = Conical form tapering downward.
 Untoleranced dimensions per GTA 13/5 DIN 1688

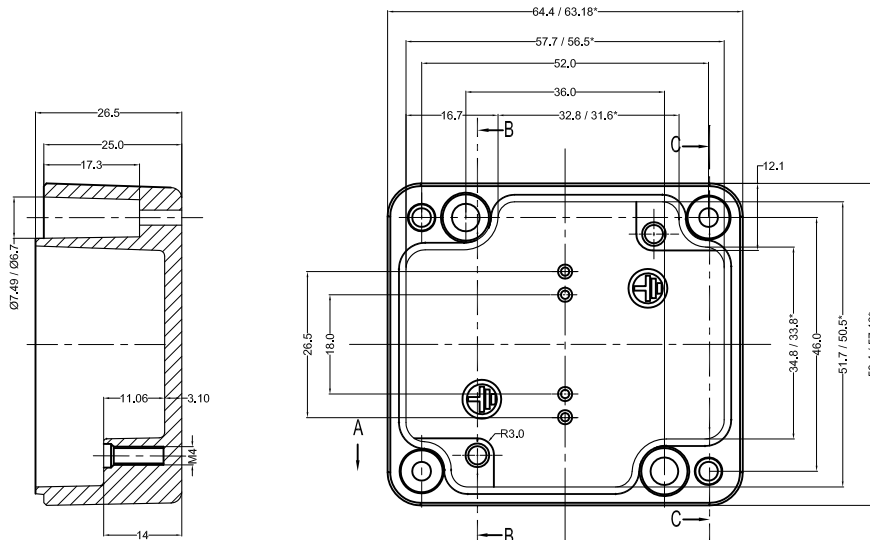
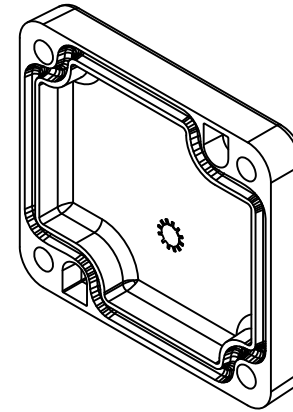


LID

Cylinder Screw
 M4 x 20/7 similar to DIN 84

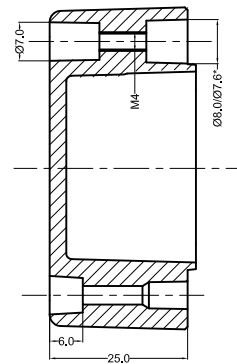


SECTION A-A

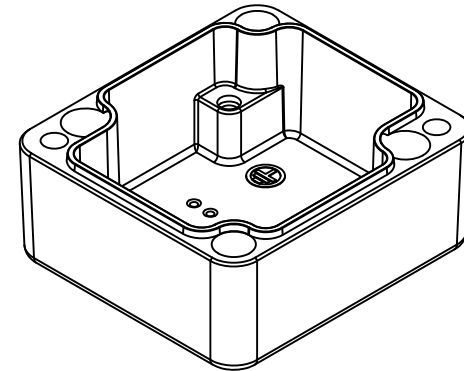


SECTION B-B

BASE



SECTION C-C



QUANTITY	MATERIAL :-	MACH.NAME	DATE	SIGN	NAME	
-	Alsi12 Din230	-	07/06/12		RRPL	DESIGN
			07/06/12		MANOJ	DRAWN
					PAVAN	CHECKED
					S.D.	APPROVED
TOLERANCE ±0.2 DIMENSIONS ±0.2 HOLES ±1.0° ANGLES		WEIGHT: - FINISH: NATURAL ALL DIMENSION ARE IN MM	TITLE :- JUNCTION BOX 58 x 64 x 34		SCALE	PARTNO. 0
Raychem RPG (P) Limited Ceat Mahal Annexe, Dr. Annie Besant Road, Worli, Mumbai 400030 Web : www.raychemrpg.com			REV 0		DRG. NO. AJB-586434	