

# 74LVQ244

## Low Voltage Octal Buffer/Line Driver with TRI-STATE® Outputs

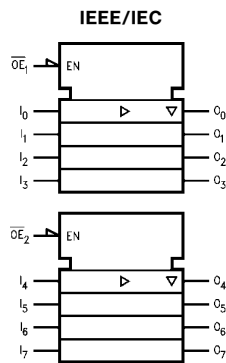
### General Description

The LVQ244 is an octal buffer and line driver designed to be employed as a memory address driver, clock driver and bus oriented transmitter or receiver which provides improved PC board density.

### Features

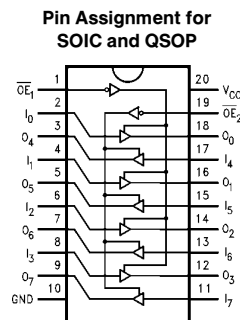
- Ideal for low power/low noise 3.3V applications
- Implements patented Quiet Series EMI reduction circuitry
- Available in SOIC JEDEC, SOIC EIAJ and QSOP packages
- Guaranteed simultaneous switching noise level and dynamic threshold performance
- Improved latch-up immunity
- Guaranteed incident wave switching into 75Ω
- 4 kV minimum ESD immunity
- MIL-STD-883 54ACQ products are available for Military/Aerospace applications

### Logic Symbol



TL/F/11356-1

### Connection Diagram



TL/F/11356-2

### Truth Tables

Inputs		Outputs (Pins 12, 14, 16, 18)
OE <sub>1</sub>	I <sub>n</sub>	
L	L	L
L	H	H
H	X	Z

Inputs		Outputs (Pins 3, 5, 7, 9)
OE <sub>2</sub>	I <sub>n</sub>	
L	L	L
L	H	H
H	X	Z

H = HIGH Voltage Level  
 L = LOW Voltage Level  
 X = Immaterial  
 Z = High Impedance

Pin Names	Description
OE <sub>1</sub> , OE <sub>2</sub>	TRI-STATE Output Enable Inputs
I <sub>0</sub> -I <sub>7</sub>	Inputs
O <sub>0</sub> -O <sub>7</sub>	Outputs

	SOIC JEDEC	SOIC EIAJ	SSOP JEDEC
Order Number	74LVQ244SC 74LVQ244SCX	74LVQ244SJ 74LVQ244SJX	74LVQ244QSC 74LVQ244QSCX
See NS Package Number	M20B	M20D	MQA20

TRI-STATE® is a registered trademark of National Semiconductor Corporation.

## Absolute Maximum Rating (Note)

If Military/Aerospace specified devices are required, please contact the National Semiconductor Sales Office/Distributors for availability and specifications.

Supply Voltage ( $V_{CC}$ )	-0.5V to +7.0V
DC Input Diode Current ( $I_{IK}$ )	-20 mA
$V_I = -0.5V$	
$V_I = V_{CC} + 0.5V$	+20 mA
DC Input Voltage ( $V_I$ )	-0.5V to $V_{CC} + 0.5V$
DC Output Diode Current ( $I_{OK}$ )	-20 mA
$V_O = -0.5V$	
$V_O = V_{CC} + 0.5V$	+20 mA
DC Output Voltage ( $V_O$ )	-0.5V to $V_{CC} + 0.5V$
DC Output Source or Sink Current ( $I_O$ )	$\pm 50$ mA
DC $V_{CC}$ or Ground Current ( $I_{CC}$ or $I_{GND}$ )	$\pm 400$ mA
Storage Temperature ( $T_{STG}$ )	-65°C to +150°C
DC Latch-Up Source or Sink Current	$\pm 300$ mA

Note: The "Absolute Maximum Ratings" are those values beyond which the safety of the device cannot be guaranteed. The device should not be operated at these limits. The parametric values defined in the "Electrical Characteristics" table are not guaranteed at the absolute maximum ratings. The "Recommended Operating Conditions" table will define the conditions for actual device operation.

## Recommended Operating Conditions

Supply Voltage ( $V_{CC}$ )	2.0V to 3.6V
LVQ	
Input Voltage ( $V_I$ )	0V to $V_{CC}$
Output Voltage ( $V_O$ )	0V to $V_{CC}$
Operating Temperature ( $T_A$ )	-40°C to +85°C
74LVQ	
Minimum Input Edge Rate $\Delta V/\Delta t$	
$V_{IN}$ from 0.8V to 2.0V	
$V_{CC}$ @ 3.0V	125 mV/ns

## DC Electrical Characteristics

Symbol	Parameter	$V_{CC}$ (V)	74LVQ244		74LVQ244	Units	Conditions
			$T_A = +25^\circ\text{C}$		$T_A = -40^\circ\text{C}$ to $+85^\circ\text{C}$		
			Typ	Guaranteed Limits			
$V_{IH}$	Minimum High Level Input Voltage	3.0	1.5	2.0	2.0	V	$V_{OUT} = 0.1V$ or $V_{CC} - 0.1V$
$V_{IL}$	Maximum Low Level Input Voltage	3.0	1.5	0.8	0.8	V	$V_{OUT} = 0.1V$ or $V_{CC} - 0.1V$
$V_{OH}$	Minimum High Level Output Voltage	3.0	2.99	2.9	2.9	V	$I_{OUT} = -50 \mu\text{A}$
		3.0		2.58	2.48	V	* $V_{IN} = V_{IL}$ or $V_{IH}$ $I_{OH} = -12 \text{ mA}$
$V_{OL}$	Maximum Low Level Output Voltage	3.0	0.002	0.1	0.1	V	$I_{OUT} = 50 \mu\text{A}$
		3.0		0.36	0.44	V	* $V_{IN} = V_{IL}$ or $V_{IH}$ $I_{OL} = 12 \text{ mA}$
$I_{IN}$	Maximum Input Leakage Current	3.6		$\pm 0.1$	$\pm 1.0$	$\mu\text{A}$	$V_I = V_{CC}, \text{GND}$

\*All outputs loaded thresholds on input associated with output under test.

## DC Electrical Characteristics (Continued)

Symbol	Parameter	V <sub>CC</sub> (V)	74LVQ244		74LVQ244		Units	Conditions
			T <sub>A</sub> = +25°C		T <sub>A</sub> = -40°C to +85°C			
			Typ	Guaranteed Limits				
I <sub>OLD</sub>	† Minimum Dynamic Output Current	3.6			36	mA	V <sub>OLD</sub> = 0.8V Max (Note 1)	
I <sub>OHD</sub>		3.6			-25	mA	V <sub>OHD</sub> = 2.0V Min (Note 1)	
I <sub>CC</sub>	Maximum Quiescent Supply Current	3.6		4.0	40.0	μA	V <sub>IN</sub> = V <sub>CC</sub> or GND	
I <sub>OZ</sub>	Maximum TRI-STATE Leakage Current	3.6		±0.25	±2.5	μA	V <sub>I(OE)</sub> = V <sub>IL</sub> , V <sub>IH</sub> V <sub>I</sub> = V <sub>CC</sub> , GND V <sub>O</sub> = V <sub>CC</sub> , GND	
V <sub>OLP</sub>	Quiet Output Maximum Dynamic V <sub>OL</sub>	3.3	0.4	0.8		V	(Notes 2, 3)	
V <sub>OLV</sub>	Quiet Output Minimum Dynamic V <sub>OL</sub>	3.3	-0.4	-0.8		V	(Notes 2, 3)	
V <sub>IHD</sub>	Minimum High Level Dynamic Input Voltage	3.3	1.7	2.0		V	(Notes 2, 4)	
V <sub>ILD</sub>	Maximum Low Level Dynamic Input Voltage	3.3	1.7	0.8		V	(Notes 2, 4)	

† Maximum test duration 2.0 ms, one output loaded at a time.

**Note 1:** Incident wave switching on transmission lines with impedances as low as 75Ω for commercial temperature range is guaranteed for 74LVQ.

**Note 2:** Worst case package.

**Note 3:** Max number of outputs defined as (n). Data inputs are driven 0V to 3.3V; one output at GND.

**Note 4:** Max number of Data Inputs (n) switching. (n - 1) inputs switching 0V to 3.3V. Input-under-test switching: 3.3V to threshold (V<sub>ILD</sub>), 0V to threshold (V<sub>IHD</sub>), f = 1 MHz.

## AC Electrical Characteristics

Symbol	Parameter	V <sub>CC</sub> (V)	74LVQ244			74LVQ244		Units
			T <sub>A</sub> = +25°C C <sub>L</sub> = 50 pF			T <sub>A</sub> = -40°C to +85°C C <sub>L</sub> = 50 pF		
			Min	Typ	Max	Min	Max	
t <sub>PHL</sub> , t <sub>PLH</sub>	Propagation Delay Data to Output	2.7 3.3 ± 0.3	2.0	8.4	12.7	2.0	14.0	ns
t <sub>PZL</sub> , t <sub>PZH</sub>	Output Enable Time	2.7 3.3 ± 0.3	2.5	9.6	16.9	2.5	18.0	
t <sub>PHZ</sub> , t <sub>PLZ</sub>	Output Disable Time	2.7 3.3 ± 0.3	1.0	10.8	19.0	1.0	20.0	ns
t <sub>OSH</sub> , t <sub>OSLH</sub>	Output to Output Skew* Data to Output	2.7 3.3 ± 0.3		1.0	1.5		1.5	
				1.0	1.5		1.5	ns

\* Skew is defined as the absolute value of the difference between the actual propagation delay for any two separate outputs of the same device. The specification applies to any outputs switching in the same direction, either HIGH to LOW (t<sub>OSH</sub>) or LOW to HIGH (t<sub>OSLH</sub>). Parameter guaranteed by design.

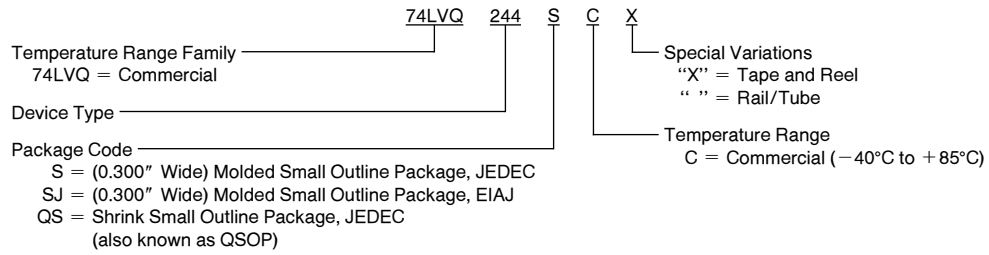
## Capacitance

Symbol	Parameter	Typ	Units	Conditions
C <sub>IN</sub>	Input Capacitance	4.5	pF	V <sub>CC</sub> = Open
C <sub>PD</sub>	Power Dissipation Capacitance	70	pF	V <sub>CC</sub> = 3.3V

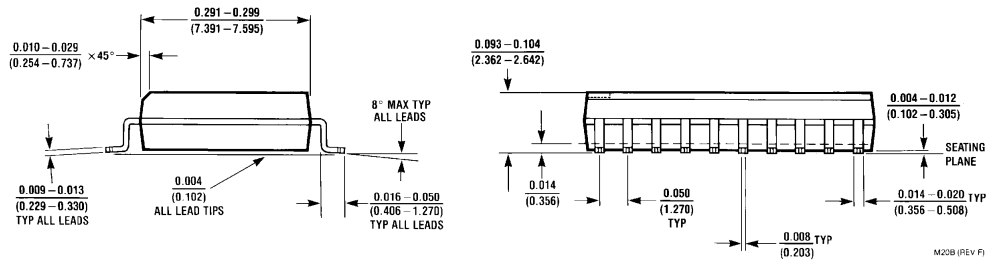
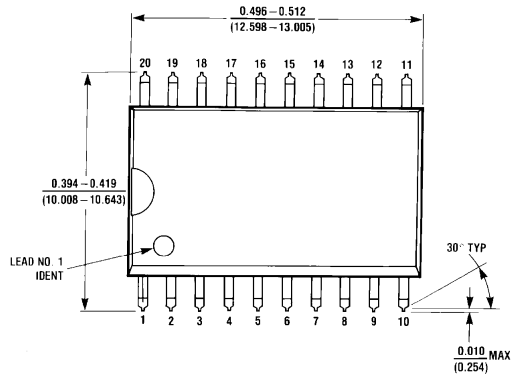
**Note 1:** C<sub>PD</sub> is measured at 10 MHz.

## 74LVQ244 Ordering Information

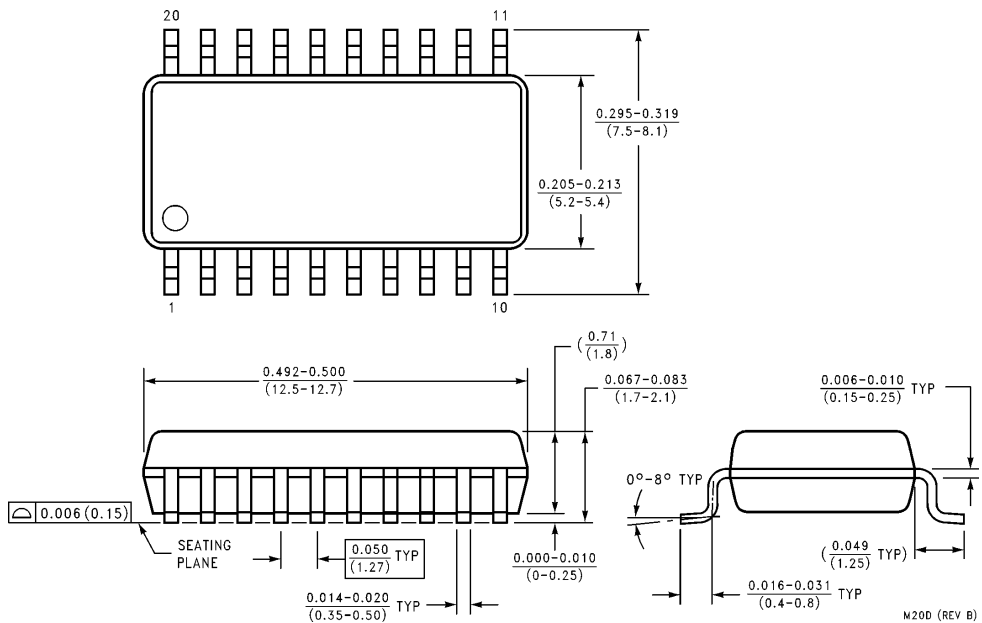
The device number is used to form part of a simplified purchasing code where the package type and temperature range are defined as follows:



**Physical Dimensions** inches (millimeters) unless otherwise noted

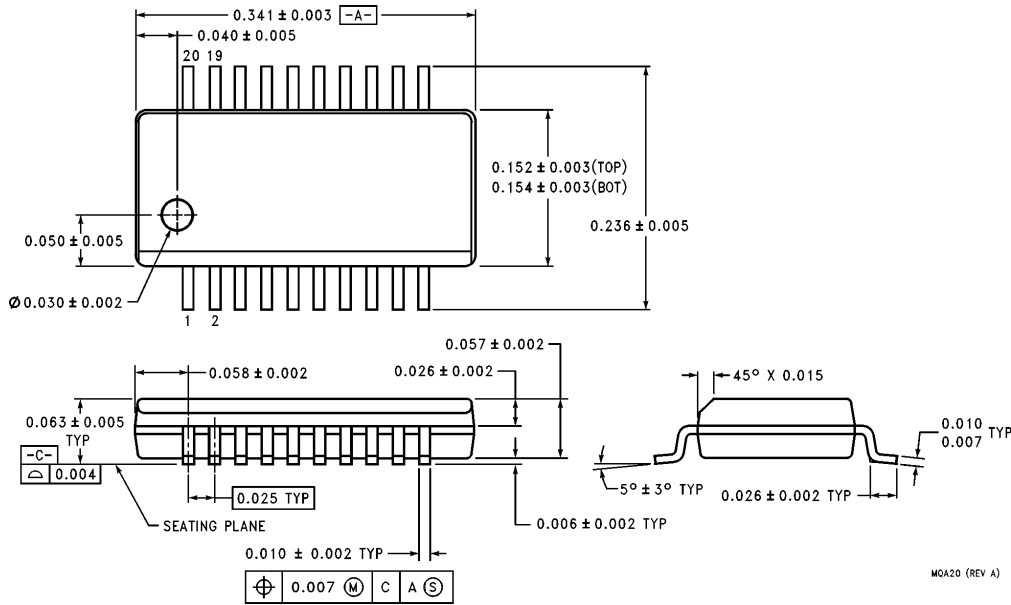


**20-Lead Small Outline Integrated Circuit (S)**  
**Order Number 74LVQ244SC or 74LVQ244SCX**  
**NS Package Number M20B**



**20-Lead (0.300" Wide) Molded Small Outline Package, EIAJ (SJ)**  
**Order Number 74LVQ244SJ or 74LVQ244SJX**  
**NS Package Number M20D**

**Physical Dimensions** inches (Continued)



**20-Lead (0.150" Wide) Shrink Small Outline Package, JEDEC (QS)**  
 (also known as QSOP)  
**Order Number 74LVQ244QSC or 74LVQ244QSCX**  
**NS Package Number MQA20**

**LIFE SUPPORT POLICY**

NATIONAL'S PRODUCTS ARE NOT AUTHORIZED FOR USE AS CRITICAL COMPONENTS IN LIFE SUPPORT DEVICES OR SYSTEMS WITHOUT THE EXPRESS WRITTEN APPROVAL OF THE PRESIDENT OF NATIONAL SEMICONDUCTOR CORPORATION. As used herein:

1. Life support devices or systems are devices or systems which, (a) are intended for surgical implant into the body, or (b) support or sustain life, and whose failure to perform, when properly used in accordance with instructions for use provided in the labeling, can be reasonably expected to result in a significant injury to the user.
2. A critical component is any component of a life support device or system whose failure to perform can be reasonably expected to cause the failure of the life support device or system, or to affect its safety or effectiveness.



**National Semiconductor Corporation**  
**Americas**  
 Tel: 1(800) 272-9959  
 Fax: 1(800) 737-7018  
 Email: support@nsc.com

**National Semiconductor Europe**  
 Fax: +49 (0) 180-530 85 86  
 Email: europe.support@nsc.com  
 Deutsch Tel: +49 (0) 180-530 85 85  
 English Tel: +49 (0) 180-532 78 32  
 Français Tel: +49 (0) 180-532 93 58  
 Italiano Tel: +49 (0) 180-534 16 80

**National Semiconductor Southeast Asia**  
 Fax: (852) 2376 3901  
 Email: sea.support@nsc.com

**National Semiconductor Japan Ltd.**  
 Tel: 81-3-5620-7561  
 Fax: 81-3-5620-6179

<http://www.national.com>