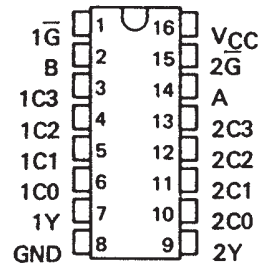


# SN54LS353, SN74LS353 DUAL 4-LINE TO 1-LINE DATA SELECTORS/MULTIPLEXERS WITH 3-STATE OUTPUTS

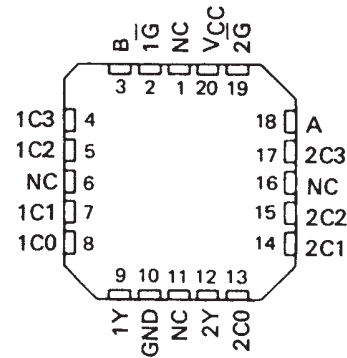
SDLS163 – OCTOBER 1976 – REVISED MARCH 1988

- Inverting Versions of SN54LS253, SN74LS253
- Schottky-Diode-Clamped Transistors
- Permits Multiplexing from N lines to 1 line
- Performs Parallel-to-Serial Conversion
- Typical Average Propagation Delay Times:  
     Data Input to Output . . . 12 ns  
     Control Input to Output . . . 16 ns  
     Select Input to Output . . . 21 ns
- Fully Compatible with most TTL Circuits
- Low Power Dissipation . . . 35 mW Typical (Enabled)
- Inverted Data

SN54LS353 . . . J OR W PACKAGE  
SN74LS353 . . . D OR N PACKAGE  
(TOP VIEW)



SN54LS353 . . . FK PACKAGE  
(TOP VIEW)



NC – No internal connection

### description

Each of these Schottky-clamped data selectors/multiplexers contains inverters and drivers to supply fully complementary, on-chip, binary decoding data selection to the AND-OR-invert gates. Separate output control inputs are provided for each of the two four-line sections.

The three-state outputs can interface with and drive data lines of bus-organized systems. With all but one of the common outputs disabled (at a high-impedance state) the low-impedance of the single enabled output will drive the bus line to a high or low logic level.

FUNCTION TABLE

SELECT INPUTS		DATA INPUTS				OUTPUT CONTROL	OUTPUT
B	A	C0	C1	C2	C3	$\bar{G}$	Y
X	X	X	X	X	X	H	Z
L	L	L	X	X	X	L	H
L	L	H	X	X	X	L	L
L	H	X	L	X	X	L	H
L	H	X	H	X	X	L	L
H	L	X	X	L	X	L	H
H	L	X	X	H	X	L	L
H	H	X	X	X	L	L	H
H	H	X	X	X	H	L	L

Select inputs A and B are common to both sections.

H = high level, L = low level, X = irrelevant, Z = high impedance (off)

### absolute maximum ratings over operating free-air temperature range (unless otherwise noted)

Supply voltage, $V_{CC}$ (see Note 1)	7 V
Input voltage	7 V
Off-state output voltage	5.5 V
Operating free-air temperature range: SN54LS353	–55°C to 125°C
SN74LS353	0°C to 70°C
Storage temperature range	–65°C to 150°C

NOTE 1: Voltage values are with respect to network ground terminal.

PRODUCTION DATA information is current as of publication date. Products conform to specifications per the terms of Texas Instruments standard warranty. Production processing does not necessarily include testing of all parameters.



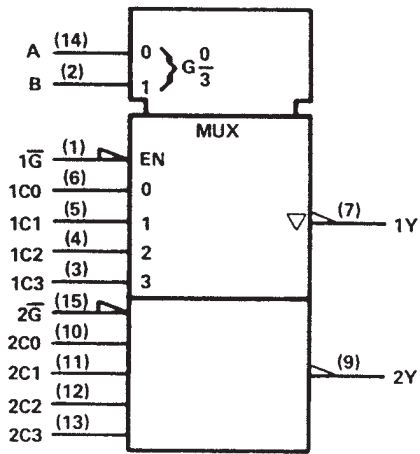
POST OFFICE BOX 655303 • DALLAS, TEXAS 75265

Copyright © 1988, Texas Instruments Incorporated

# SN54LS353, SN74LS353 DUAL 4-LINE TO 1-LINE DATA SELECTORS/MULTIPLEXERS WITH 3-STATE OUTPUTS

SDLS163 – OCTOBER 1976 – REVISED MARCH 1988

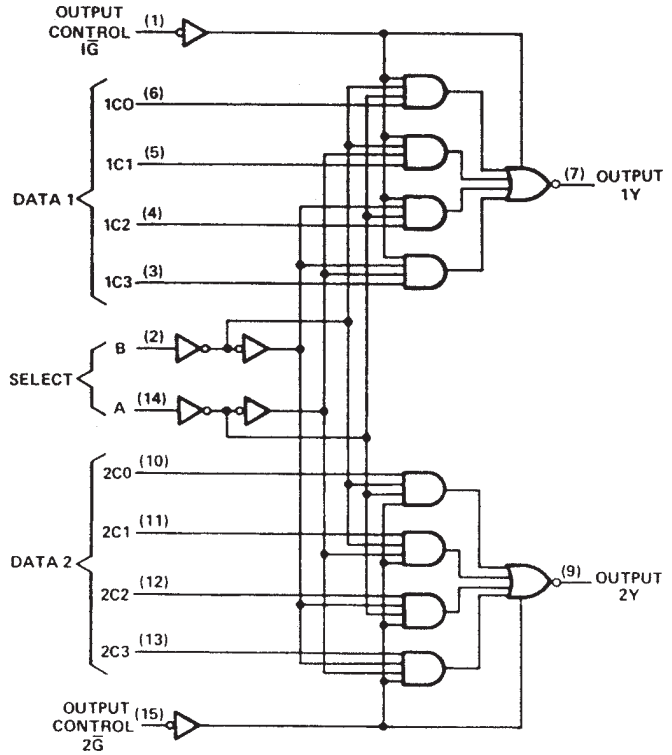
## logic symbol†



†This symbol is in accordance with ANSI/IEEE Std. 91-1984 and IEC Publication 617-12.

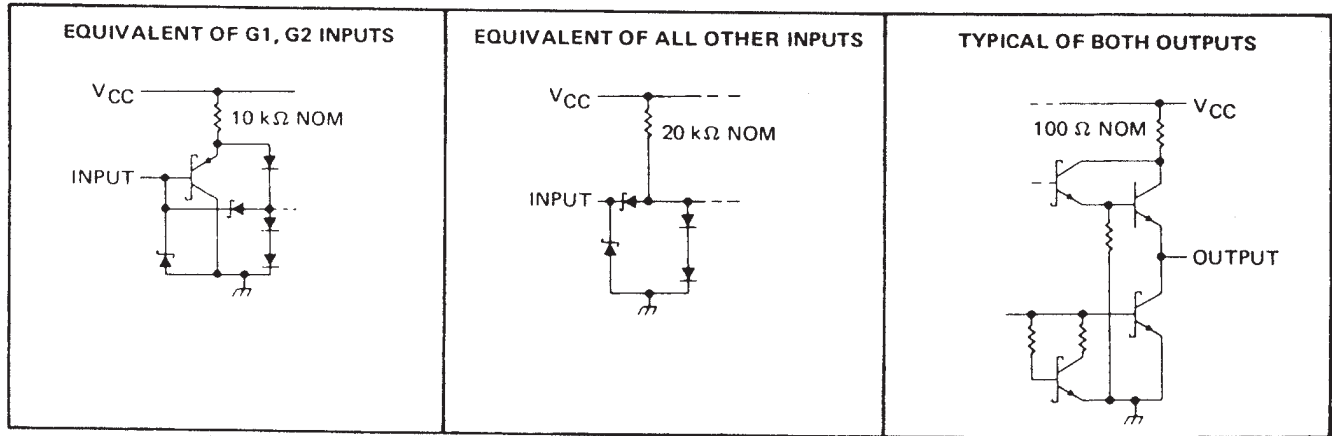
Pin numbers shown are for D, J, N, and W packages.

## logic diagram (positive logic)



Pin numbers shown are for D, J, N, and W packages.

## schematic of inputs and outputs



# SN54LS353, SN74LS353 DUAL 4-LINE TO 1-LINE DATA SELECTORS/MULTIPLEXERS WITH 3-STATE OUTPUTS

SDLS163 – OCTOBER 1976 – REVISED MARCH 1988

## recommended operating conditions

	SN54LS353			SN74LS353			UNIT
	MIN	NOM	MAX	MIN	NOM	MAX	
V <sub>CC</sub> Supply voltage	4.5	5	5.5	4.75	5	5.25	V
V <sub>IH</sub> High-level input voltage	2			2			V
V <sub>IL</sub> Low-level input voltage	0.7			0.8			V
I <sub>OH</sub> High-level output current	-1			-2.6			mA
I <sub>OL</sub> Low-level output current	4			8			mA
T <sub>A</sub> Operating free-air temperature	-55 125			0 70			°C

## electrical characteristics over recommended operating free-air temperature range (unless otherwise noted)

PARAMETER	TEST CONDITIONS †	SN54LS353		SN74LS353		UNIT
		MIN	TYP ‡	MAX	MIN	
V <sub>IK</sub>	V <sub>CC</sub> = MIN, I <sub>I</sub> = -18 mA	-1.5		-1.5		V
V <sub>OH</sub>	V <sub>CC</sub> = MIN, V <sub>IH</sub> = 2 V, V <sub>IL</sub> = MAX, I <sub>OH</sub> = MAX	2.4	3.4	2.4	3.1	V
V <sub>OL</sub>	V <sub>CC</sub> = MIN, V <sub>IH</sub> = 2 V, V <sub>IL</sub> = MAX	I <sub>OL</sub> = 4 mA		0.25	0.4	V
		I <sub>OL</sub> = 8 mA		0.35 0.5		
I <sub>OZ</sub>	V <sub>CC</sub> = MAX, V <sub>IH</sub> = 2 V	V <sub>O</sub> = 2.7 V		20		μA
		V <sub>O</sub> = 0.4 V		-20		
I <sub>I</sub>	V <sub>CC</sub> = MAX, V <sub>I</sub> = 7 V	0.1		0.1		mA
I <sub>IH</sub>	V <sub>CC</sub> = MAX, V <sub>I</sub> = 2.7 V	20		20		μA
I <sub>IL</sub>	G1, G1 All other	V <sub>CC</sub> = MAX, V <sub>I</sub> = 0.4 V		-0.2		mA
				-0.4		
I <sub>OS</sub> §	V <sub>CC</sub> = MAX	-30	-130	-30	-130	mA
I <sub>CC</sub>	V <sub>CC</sub> = MAX, See Note 2	Condition A		7	12	mA
		Condition B		8.5	14	

† For conditions shown as MIN or MAX, use the appropriate value specified under recommended operating conditions.

‡ All typical values are at V<sub>CC</sub> = 5 V, T<sub>A</sub> = 25°C.

§ Not more than one output should be shorted at a time, and duration of the short-circuit should not exceed one second.

NOTE 2: I<sub>CC</sub> is measured with the outputs open under the following conditions:

- A. All inputs grounded.
- B. Output control at 4.5 V, all inputs grounded.

## switching characteristics, V<sub>CC</sub> = 5 V, T<sub>A</sub> = 25°C

PARAMETER ¶	FROM (INPUT)	TO (OUTPUT)	TEST CONDITIONS		MIN	TYP	MAX	UNIT
t <sub>PLH</sub>	Data	Y	C <sub>L</sub> = 15 pF, See Note 3	R <sub>L</sub> = 2 kΩ,	11	25	ns	
t <sub>PHL</sub>					13	20		
t <sub>PLH</sub>	Select	Y			20	45	ns	
t <sub>PHL</sub>					21	32		
t <sub>PZH</sub>	Output	Y			11	23	ns	
t <sub>PZL</sub>	Control				15	23		
t <sub>PHZ</sub>	Output	Y	C <sub>L</sub> = 5 pF, See Note 3	R <sub>L</sub> = 2 kΩ,	27	41	ns	
t <sub>PLZ</sub>	Control				12	27		

- ¶ t<sub>PLH</sub> = Propagation delay time, low-to-high-level output  
t<sub>PHL</sub> = Propagation delay time, high-to-low-level output  
t<sub>PZH</sub> = Output enable time to high level  
t<sub>PZL</sub> = Output enable time to low level  
t<sub>PHZ</sub> = Output disable time from high level  
t<sub>PLZ</sub> = Output disable time from low level

NOTE 3: Load circuits and voltage waveforms are shown in Section 1.



## IMPORTANT NOTICE

Texas Instruments and its subsidiaries (TI) reserve the right to make changes to their products or to discontinue any product or service without notice, and advise customers to obtain the latest version of relevant information to verify, before placing orders, that information being relied on is current and complete. All products are sold subject to the terms and conditions of sale supplied at the time of order acknowledgement, including those pertaining to warranty, patent infringement, and limitation of liability.

TI warrants performance of its semiconductor products to the specifications applicable at the time of sale in accordance with TI's standard warranty. Testing and other quality control techniques are utilized to the extent TI deems necessary to support this warranty. Specific testing of all parameters of each device is not necessarily performed, except those mandated by government requirements.

CERTAIN APPLICATIONS USING SEMICONDUCTOR PRODUCTS MAY INVOLVE POTENTIAL RISKS OF DEATH, PERSONAL INJURY, OR SEVERE PROPERTY OR ENVIRONMENTAL DAMAGE ("CRITICAL APPLICATIONS"). TI SEMICONDUCTOR PRODUCTS ARE NOT DESIGNED, AUTHORIZED, OR WARRANTED TO BE SUITABLE FOR USE IN LIFE-SUPPORT DEVICES OR SYSTEMS OR OTHER CRITICAL APPLICATIONS. INCLUSION OF TI PRODUCTS IN SUCH APPLICATIONS IS UNDERSTOOD TO BE FULLY AT THE CUSTOMER'S RISK.

In order to minimize risks associated with the customer's applications, adequate design and operating safeguards must be provided by the customer to minimize inherent or procedural hazards.

TI assumes no liability for applications assistance or customer product design. TI does not warrant or represent that any license, either express or implied, is granted under any patent right, copyright, mask work right, or other intellectual property right of TI covering or relating to any combination, machine, or process in which such semiconductor products or services might be or are used. TI's publication of information regarding any third party's products or services does not constitute TI's approval, warranty or endorsement thereof.