

Presettable Counters

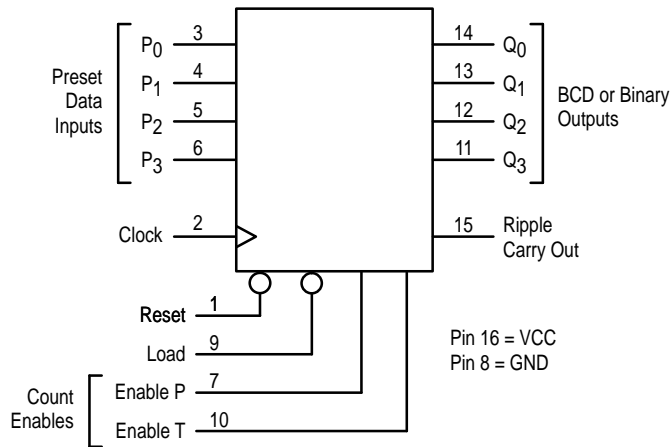
High-Performance Silicon-Gate CMOS

The MC54/74HCT161A and HCT163A are identical in pinout to the LS161A and LS163A. These devices may be used as level converters for interfacing TTL or NMOS outputs to high speed CMOS inputs.

The HCT161A and HCT163A are programmable 4-bit binary counters with asynchronous and synchronous reset, respectively.

- Output Drive Capability: 10 LSTTL Loads
- TTL, NMOS Compatible Input Levels
- Outputs Directly Interface to CMOS, NMOS, and TTL
- Operating Voltage Range: 4.5 to 5.5 V
- Low Input Current: 1 μ A
- High Noise Immunity Characteristic of CMOS Devices
- In Compliance with the Requirements Defined by JEDEC Standard No. 7A
- Chip Complexity: 200 FETs or 50 Equivalent Gates

LOGIC DIAGRAM



FUNCTION TABLE

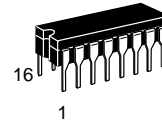
| Inputs | | | | | Output Q |
|--------|--------|------|----------|----------|------------------|
| Clock | Reset* | Load | Enable P | Enable T | |
| | L | X | X | X | Reset |
| | H | L | X | X | Load Preset Data |
| | H | H | H | H | Count |
| | H | H | L | X | No Count |
| | H | H | X | L | No Count |

H = High Level; L = Low Level; X = Don't Care

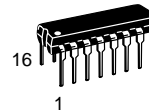
* = HCT163A only. HCT161A is an "Asynchronous-Reset" device.

MC54/74HCT161A

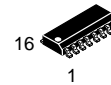
MC54/74HCT163A



J SUFFIX
CERAMIC PACKAGE
CASE 620-10



N SUFFIX
PLASTIC PACKAGE
CASE 648-08



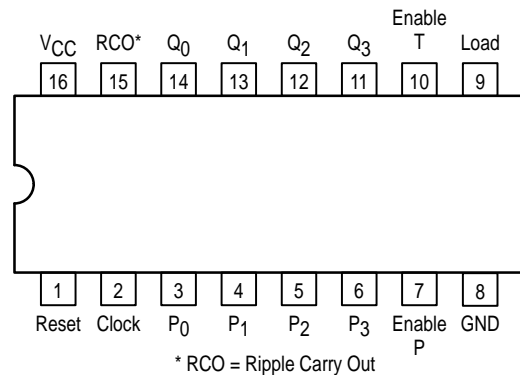
D SUFFIX
SOIC PACKAGE
CASE 751B-05

ORDERING INFORMATION

MC54HCXXXAJ Ceramic
MC74HCXXXAN Plastic
MC74HCXXXAD SOIC

| Device | Count Mode | Reset Mode |
|---------|------------|--------------|
| HCT161A | Binary | Asynchronous |
| HCT163A | Binary | Synchronous |

Pinout: 16-Lead Package (Top View)



MC54/74HCT161A MC54/74HCT163A

MAXIMUM RATINGS*

| Symbol | Parameter | Value | Unit |
|------------------|---|--------------------------------|------|
| V _{CC} | Positive DC Supply Voltage (Referenced to GND) | - 0.5 to + 7.0 | V |
| V _{in} | DC Input Voltage (Referenced to GND) | - 1.5 to V _{CC} + 1.5 | V |
| V _{out} | DC Output Voltage (Referenced to GND) | - 0.5 to V _{CC} + 0.5 | V |
| I _{in} | DC Input Current, per Pin | ± 20 | mA |
| I _{out} | DC Output Current, per Pin | ± 25 | mA |
| I _{CC} | DC Supply Current, V _{CC} and GND Pins | ± 50 | mA |
| P _D | Power Dissipation in Still Air, Plastic or Ceramic DIP† SOIC Package† | 750 500 | mW |
| T _{stg} | Storage Temperature Range | - 65 to + 150 | °C |
| T _L | Lead Temperature, 1 mm from Case for 10 Seconds Plastic DIP or SOIC Package Ceramic DIP | 260 300 | °C |

This device contains protection circuitry to guard against damage due to high static voltages or electric fields. However, precautions must be taken to avoid applications of any voltage higher than maximum rated voltages to this high-impedance circuit. For proper operation, V_{in} and V_{out} should be constrained to the range GND ≤ (V_{in} or V_{out}) ≤ V_{CC}. Unused inputs must always be tied to an appropriate logic voltage level (e.g., either GND or V_{CC}). Unused outputs must be left open.

* Maximum Ratings are those values beyond which damage to the device may occur. Functional operation should be restricted to the Recommended Operating Conditions.

† Derating — Plastic DIP: - 10 mW/°C from 65° to 125°
Ceramic DIP: - 10 mW/°C from 100° to 125°
SOIC Package: - 7 mW/°C from 65° to 125°

For high frequency or heavy load considerations, see Chapter 2 of the Motorola High-Speed CMOS Data Book (DL129/D).

RECOMMENDED OPERATING CONDITIONS

| Symbol | Parameter | Min | Max | Unit |
|------------------------------------|--|------|-----------------|------|
| V _{CC} | DC Supply Voltage (Referenced to GND) | 4.5 | 5.5 | V |
| V _{in} , V _{out} | DC Input Voltage, Output Voltage (Referenced to GND) | 0 | V _{CC} | V |
| T _A | Operating Temperature, All Package Types | - 55 | + 125 | °C |
| t _r , t _f | Input Rise and Fall Time (Figure 1) | 0 | 500 | ns |

DC ELECTRICAL CHARACTERISTICS (Voltages referenced to GND)

| Symbol | Parameter | Test Conditions | V _{CC} V | Guaranteed Limit | | | Unit |
|-----------------|--|--|----------------------|------------------|---------------|----------|------|
| | | | | - 55 to 25° C | ≤ 85° C | ≤ 125° C | |
| V _{IH} | Minimum High-Level Input Voltage | V _{out} = 0.1 V or V _{CC} = -1.0V I _{out} ≤ 20 μA | 4.5 | 2.0 | 2.0 | 2.0 | V |
| | | | 5.5 | 2.0 | 2.0 | 2.0 | |
| V _{IL} | Maximum Low-Level Input Voltage | V _{out} = 0.1 V I _{out} ≤ 20 μA | 4.5 | 0.80 | 0.80 | 0.80 | V |
| | | | 5.5 | 0.80 | 0.80 | 0.80 | |
| V _{OH} | Minimum High-Level Output Voltage | V _{in} = V _{IH} or V _{IL} I _{out} ≤ 20 μA | 4.5 | 4.4 | 4.4 | 4.4 | V |
| | | | 5.5 | 5.4 | 5.4 | 5.4 | |
| V _{OL} | Maximum Low-Level Output Voltage | V _{in} = V _{IH} or V _{IL} I _{out} ≤ 20 μA | 4.5 | 0.10 | 0.10 | 0.10 | V |
| | | | 5.5 | 0.10 | 0.10 | 0.10 | |
| V _{OL} | Maximum Low-Level Output Voltage | V _{in} = V _{IH} or V _{IL} I _{out} ≤ 4.0 mA | 4.5 | 0.26 | 0.33 | 0.40 | V |
| | | | 5.5 | 0.26 | 0.33 | 0.40 | |
| I _{in} | Maximum Input Leakage Current | V _{in} = V _{CC} or GND | 5.5 | ± 0.10 | ± 1.00 | ± 1.00 | μA |
| I _{CC} | Maximum Quiescent Supply Current (Per Package) | V _{in} = V _{CC} or GND I _{out} = 0 μA | 5.5 | 4 | 40 | 160 | μA |
| I _{CC} | Additional Quiescent Supply Current | V _{in} = 2.4V, Any One Input V _{IN} = V _{CC} or GND Other Inputs I _{out} = 0 μA | 5.5 | ≥ -55° C | 25 to +125° C | | mA |
| | | | | 2.9 | 2.4 | | |

NOTE: Information on typical parametric values can be found in Chapter 2 of the Motorola High-Speed CMOS Data Book (DL129/D).

AC ELECTRICAL CHARACTERISTICS ($V_{CC} = 5.0\text{ V} \pm 10\%$; $C_L = 50\text{ pF}$, Input $t_r = t_f = 6.0\text{ ns}$)

| Symbol | Parameter | Fig | Guaranteed Limit | | | Unit |
|--------------------------|--|-----|------------------|-------|--------|------|
| | | | - 55 to 25°C | ≤85°C | ≤125°C | |
| f_{max} | Maximum Clock Frequency (50% Duty Cycle)* | 1,7 | 30 | 24 | 20 | MHz |
| t_{PLH} | Maximum Propagation Delay Clock to Q | 1,7 | 20 | 23 | 28 | ns |
| t_{PHL} | | 1,7 | 25 | 30 | 32 | ns |
| t_{PHL} | Maximum Propagation Delay Reset to Q (HCT161A Only) | 2,7 | 25 | 29 | 33 | ns |
| t_{PLH} | Maximum Propagation Delay Enable T to Ripple Carry Out | 3,7 | 16 | 18 | 20 | ns |
| t_{PHL} | | 3,7 | 21 | 24 | 28 | ns |
| t_{PLH} | Maximum Propagation Delay Clock to Ripple Carry Out | 1,7 | 22 | 25 | 28 | ns |
| t_{PHL} | | 1,7 | 28 | 33 | 35 | ns |
| t_{PHL} | Maximum Propagation Delay Reset to Ripple Carry Out (HCT161A Only) | 2,7 | 24 | 28 | 32 | ns |
| t_{TLH} , t_{THL} | Maximum Output Transition Time, Any Output | 2,7 | 15 | 19 | 22 | ns |
| C_{in} | Maximum Input Capacitance | 1,7 | 10 | 10 | 10 | pF |

* Applies to noncascaded/nonsynchronous clocked configurations only. With synchronously cascaded counters, (1) Clock to Ripple Carry Out propagation delays, (2) Enable T or Enable P to Clock setup times, and (3) Clock to Enable T or Enable P hold times determine f_{max} . However, if Ripple Carry Out of each stage is tied to the Clock of the next stage (nonsynchronously clocked), the f_{max} in the table above is applicable. See Applications information in this data sheet.

NOTE: For propagation delays with loads other than 50 pF, and information on typical parametric values, see Chapter 2 of the Motorola High-Speed CMOS Data Book (DL129/D).

| C_{PD} | Power Dissipation Capacitance (Per Gate)* | Typical @ 25°C, $V_{CC} = 5.0\text{ V}$ | | pF |
|----------|---|---|--|----|
| | | 60 | | |
| | | | | |

* Used to determine the no-load dynamic power consumption: $P_D = C_{PD} V_{CC}^2 f + I_{CC} V_{CC}$. For load considerations, see Chapter 2 of the Motorola High-Speed CMOS Data Book (DL129/D).

TIMING REQUIREMENTS ($V_{CC} = 5.0\text{ V} \pm 10\%$; $C_L = 50\text{ pF}$, Input $t_r = t_f = 6.0\text{ ns}$)

| Symbol | Parameter | Fig. | Guaranteed Limit | | | Unit |
|------------|---|------|------------------|-------|--------|------|
| | | | - 55 to 25°C | ≤85°C | ≤125°C | |
| t_{su} | Minimum Setup Time, Preset Data Inputs to Clock | 5 | 12 | 18 | 20 | ns |
| | Minimum Setup Time, Load to Clock | 5 | 12 | 18 | 20 | ns |
| | Minimum Setup Time, Reset to Clock (HCT163A Only) | 4 | 12 | 18 | 20 | ns |
| | Minimum Setup Time, Enable T or Enable P to Clock | 6 | 12 | 18 | 20 | ns |
| t_h | Minimum Hold Time, Clock to Preset Data Inputs | 5 | 3 | 3 | 3 | ns |
| | Minimum Hold Time, Clock to Load | 5 | 3 | 3 | 3 | ns |
| | Minimum Hold Time, Clock to Reset (HCT163A Only) | 4 | 3 | 3 | 3 | ns |
| | Minimum Hold Time, Clock to En T or En P | 6 | 3 | 3 | 3 | ns |
| t_{rec} | Minimum Recovery Time, Reset Inactive to Clock (HCT161A Only) | 2 | 12 | 17 | 23 | ns |
| | Minimum Recovery Time, Load Inactive to Clock | 2 | 12 | 17 | 23 | ns |
| t_w | Minimum Pulse Width, Clock | 1 | 12 | 15 | 18 | ns |
| | Minimum Pulse Width, Reset (HCT161A Only) | 1 | 12 | 15 | 18 | ns |
| t_r, t_f | Maximum Input Rise and Fall Times | | 500 | 500 | 500 | ns |

FUNCTION DESCRIPTION

The HCT161A/163A are programmable 4-bit synchronous counters that feature parallel Load, synchronous or asynchronous Reset, a Carry Output for cascading and count-enable controls.

The HCT161A and HCT163A are binary counters with asynchronous Reset and synchronous Reset, respectively.

INPUTS

Clock (Pin 2)

The internal flip-flops toggle and the output count advances with the rising edge of the Clock input. In addition, control functions, such as resetting and loading occur with the rising edge of the Clock input. In addition, control functions, such as resetting (HCT163A) and loading occur with the rising edge of the Clock Input.

Preset Data Inputs P0, P1, P2, P3 (Pins 3, 4, 5, 6)

These are the data inputs for programmable counting. Data on these pins may be synchronously loaded into the internal flip-flops and appear at the counter outputs. P0 (Pin 3) is the least-significant bit and P3 (Pin 6) is the most-significant bit.

OUTPUTS

Q0, Q1, Q2, Q3 (Pins 14, 13, 12, 11)

These are the counter outputs. Q0 (Pin 14) is the least-significant bit and Q3 (Pin 11) is the most-significant bit.

Ripple Carry Out (Pin 15)

When the counter is in its maximum state 1111, this output goes high, providing an external look-ahead carry pulse that may be used to enable successive cascaded counters. Ripple Carry Out remains high only during the maximum count state. The logic equation for this output is:

$$\text{Ripple Carry Out} = \text{Enable T} \cdot \text{Q0} \cdot \text{Q1} \cdot \text{Q2} \cdot \text{Q3}$$

CONTROL FUNCTIONS

Resetting

A low level on the Reset pin (pin 1) resets the internal flip-flops and sets the outputs (Q0 through Q3) to a low level. The HCT161A resets asynchronously, and the HCT163A resets with the rising edge of the Clock input (synchronous reset).

Loading

With the rising edge of the Clock, a low level on Load (pin 9) loads the data from the Preset Data input pins (P0, P1, P2, P3) into the internal flip-flops and onto the output pins, Q0 through Q3. The count function is disabled as long as Load is low.

Count Enable/Disable

These devices have two count-enable control pins: Enable P (Pin 7) and Enable T (Pin 10). The devices count when these two pins and the Load pin are high. The logic equation is:

$$\text{Count Enable} = \text{Enable P} \cdot \text{Enable T} \cdot \text{Load}$$

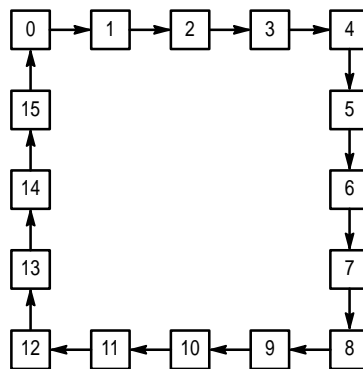
The count is either enabled or disabled by the control inputs according to Table 1. In general, Enable P is a count-enable control: Enable T is both a count-enable and a Ripple-Carry Output control.

Table 1. Count Enable/Disable

| Control Inputs | | | Result at Outputs | |
|----------------|----------|----------|-------------------|------------------------------|
| Load | Enable P | Enable T | Q0-Q3 | Ripple Carry Out |
| H | H | H | Count | High when Q0-Q3 are maximum* |
| L | H | H | No Count | |
| X | L | H | No Count | High when Q0-Q3 are maximum* |
| X | X | L | No Count | L |

Q0 through Q3 are maximum when Q3 Q2 Q1 Q0 = 1111.

OUTPUT STATE DIAGRAM



Binary Counters

SWITCHING WAVEFORMS

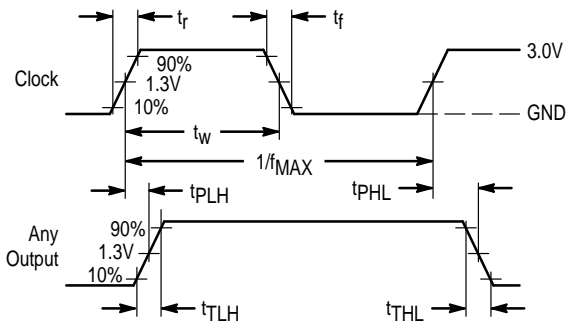


Figure 1.

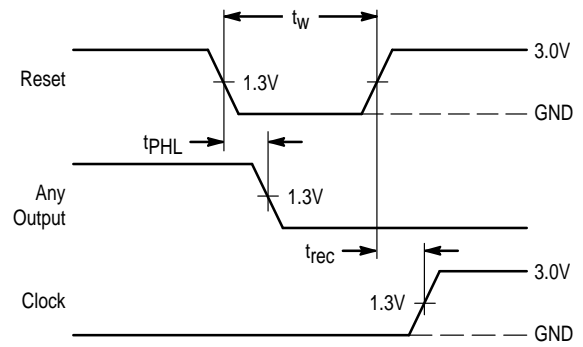


Figure 2.

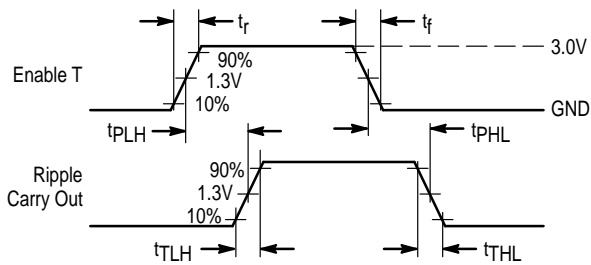


Figure 3.

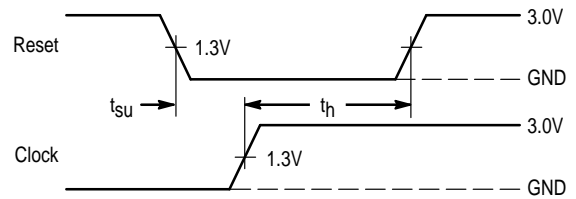


Figure 4. HCT163A Only

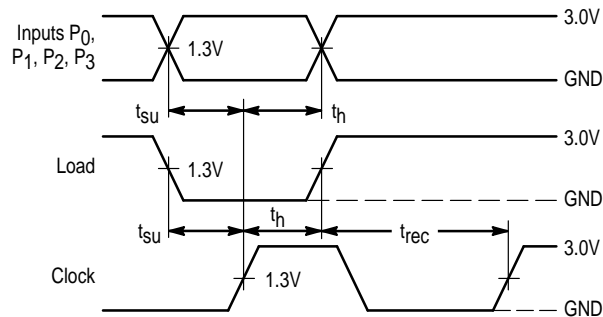


Figure 5.

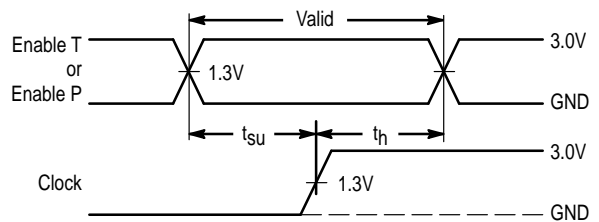
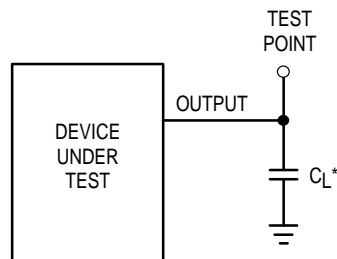


Figure 6.



*Includes all probe and jig capacitance

Figure 7. Test Circuit

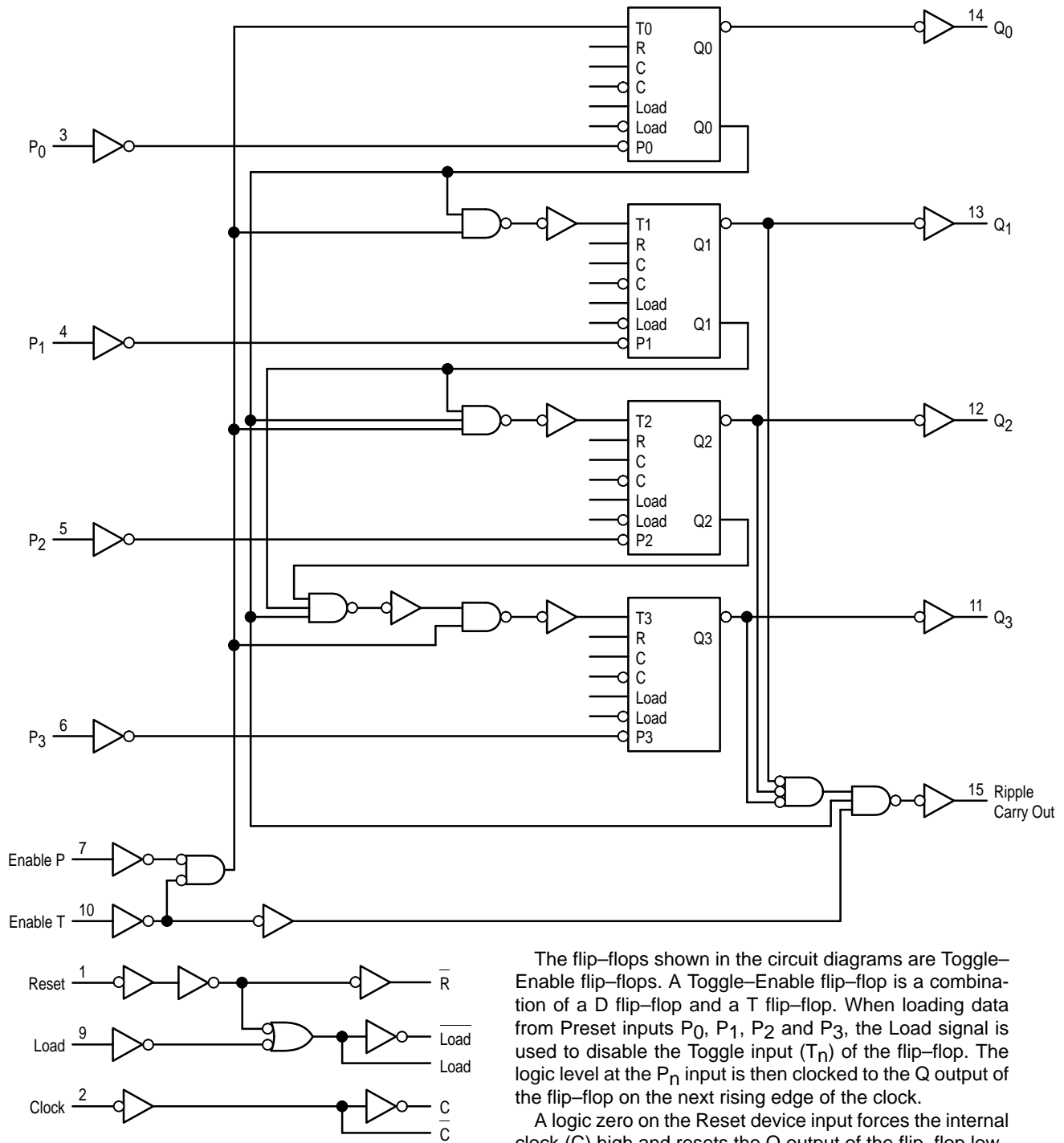


Figure 8. 4-Bit Binary Counter with Asynchronous Reset (MC54/74HCT161A)

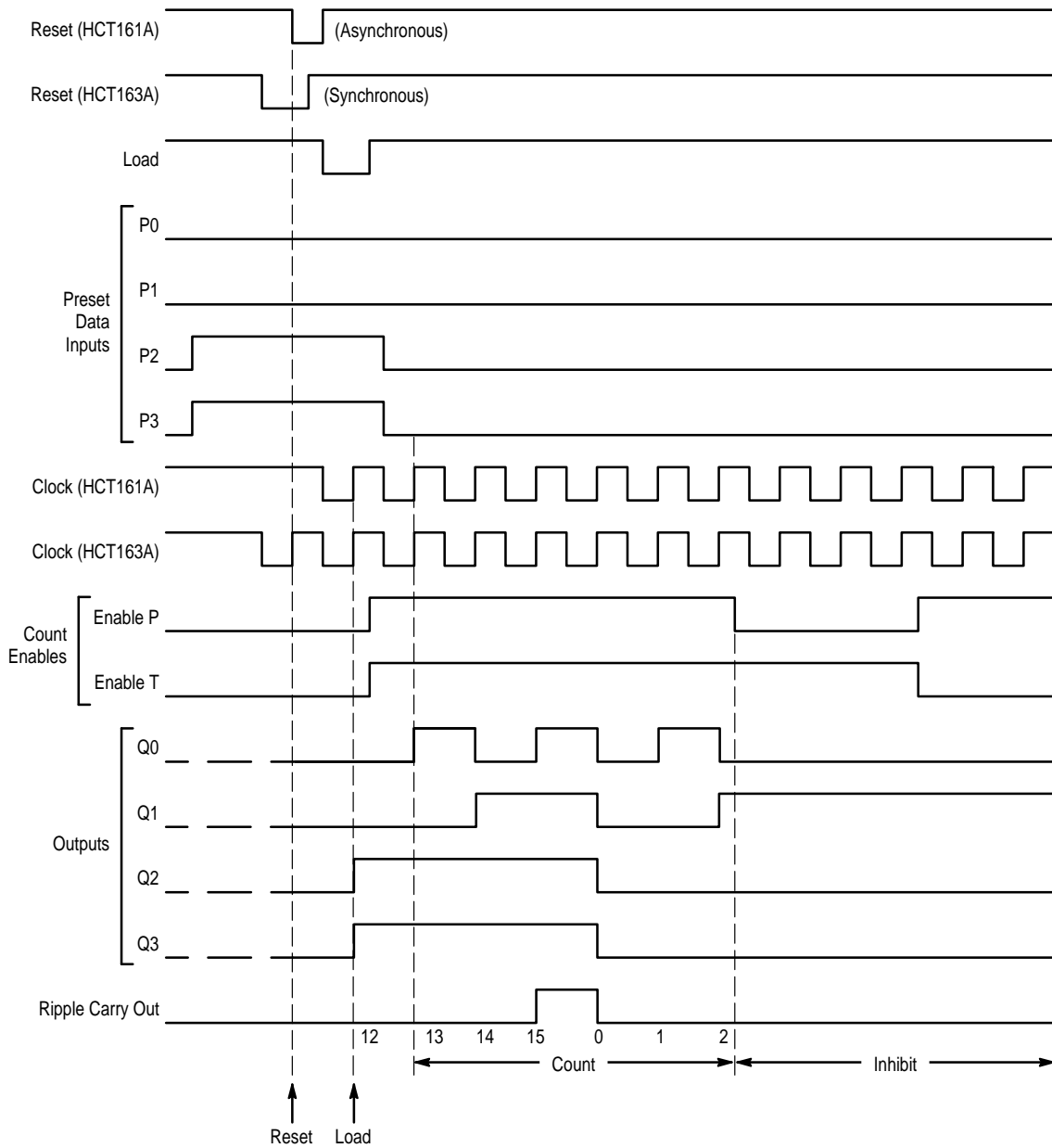


Figure 9. Timing Diagram

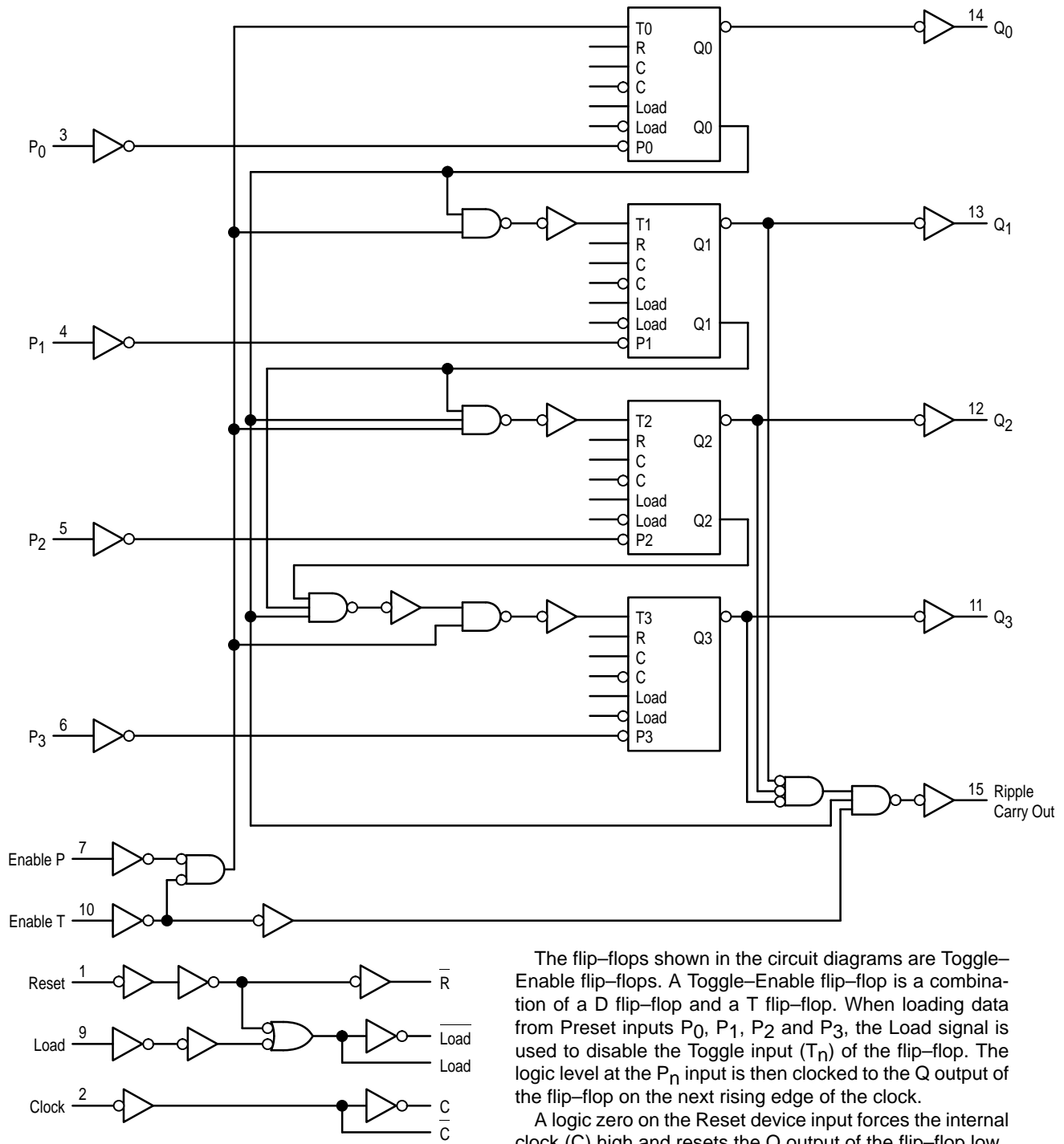
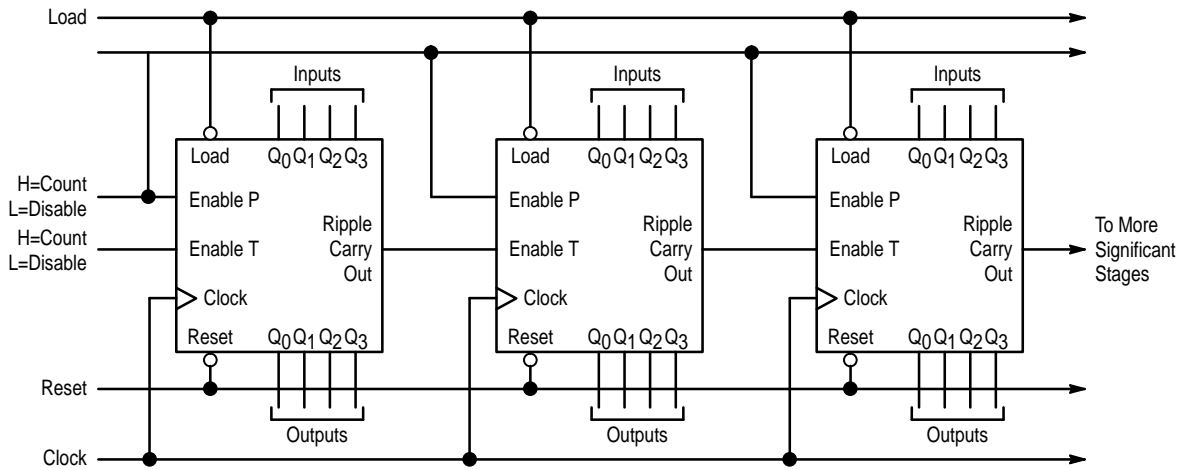


Figure 10. 4-Bit Binary Counter with Synchronous Reset (MC54/74HCT163A)

TYPICAL APPLICATIONS CASCADING



NOTE: When used in these cascaded configurations the clock f_{max} guaranteed limits may not apply. Actual performance will depend on number of stages. This limitation is due to set-up times between Enable (port) and clock.

Figure 11. N-Bit Synchronous Counters

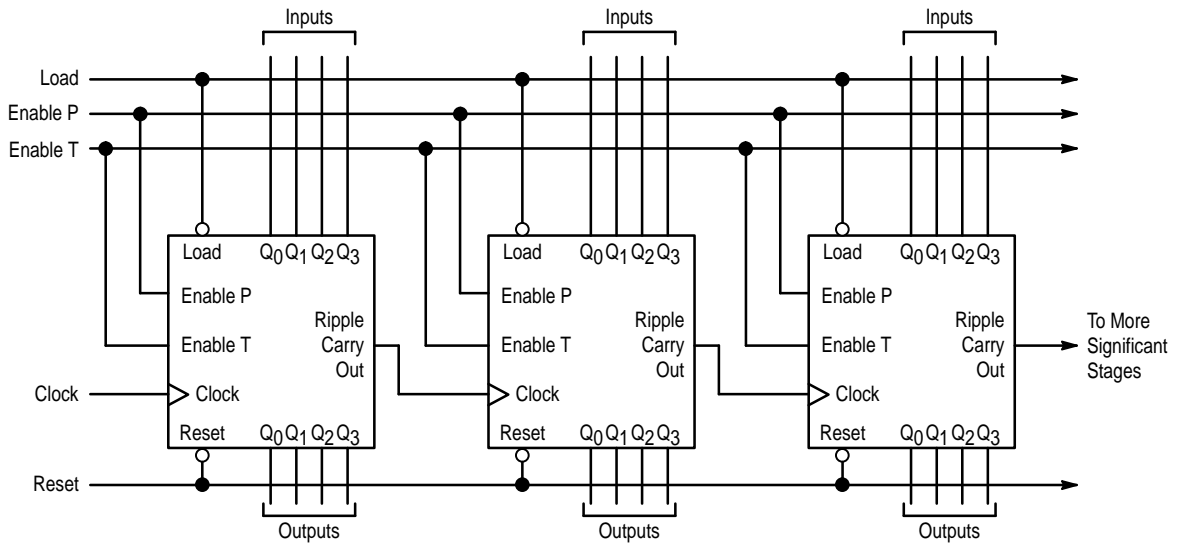


Figure 12. Nibble Ripple Counter

TYPICAL APPLICATIONS VARYING THE MODULUS

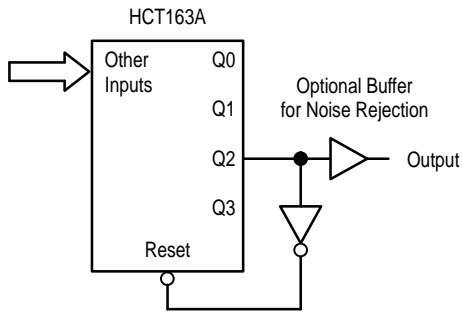


Figure 13. Modulo-5 Counter

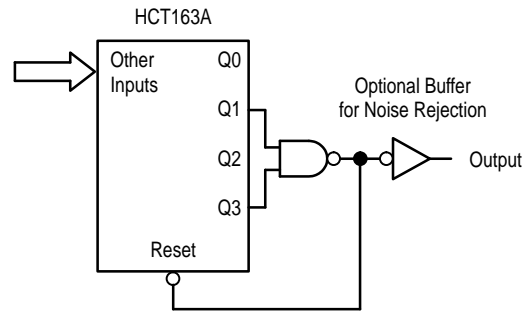
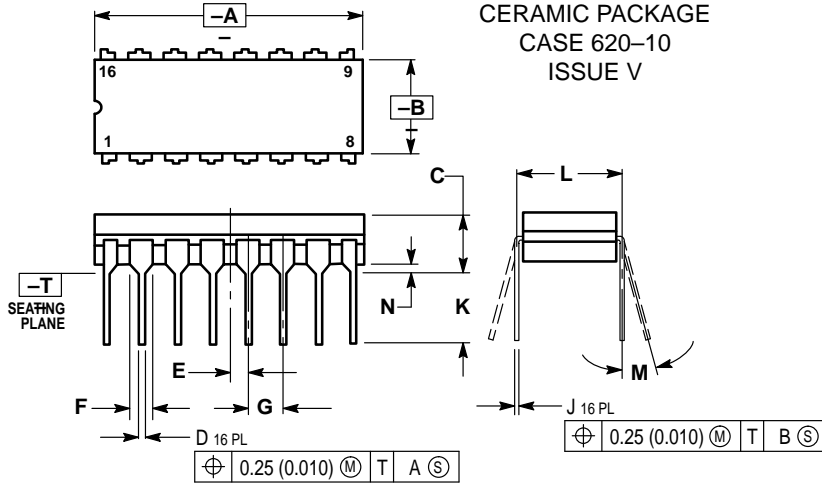


Figure 14. Modulo-11 Counter

The HCT163A facilitates designing counters of any modulus with minimal external logic. The output is glitch-free due to the synchronous Reset.

OUTLINE DIMENSIONS

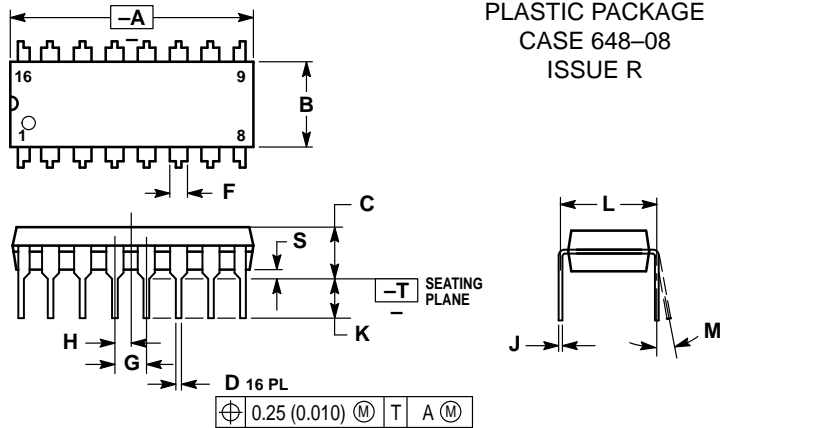
J SUFFIX
CERAMIC PACKAGE
CASE 620-10
ISSUE V



- NOTES:
- DIMENSIONING AND TOLERANCING PER ANSI Y14.5M, 1982.
 - CONTROLLING DIMENSION: INCH.
 - DIMENSION L TO CENTER OF LEAD WHEN FORMED PARALLEL.
 - DIM F MAY NARROW TO 0.76 (0.030) WHERE THE LEAD ENTERS THE CERAMIC BODY.

| DIM | INCHES | | MILLIMETERS | |
|-----|-----------|-------|-------------|-------|
| | MIN | MAX | MIN | MAX |
| A | 0.750 | 0.785 | 19.05 | 19.93 |
| B | 0.240 | 0.295 | 6.10 | 7.49 |
| C | — | 0.200 | — | 5.08 |
| D | 0.015 | 0.020 | 0.39 | 0.50 |
| E | 0.050 BSC | | 1.27 BSC | |
| F | 0.055 | 0.065 | 1.40 | 1.65 |
| G | 0.100 BSC | | 2.54 BSC | |
| J | 0.008 | 0.015 | 0.21 | 0.38 |
| K | 0.125 | 0.170 | 3.18 | 4.31 |
| L | 0.300 BSC | | 7.62 BSC | |
| M | 0° | 15° | 0° | 15° |
| N | 0.020 | 0.040 | 0.51 | 1.01 |

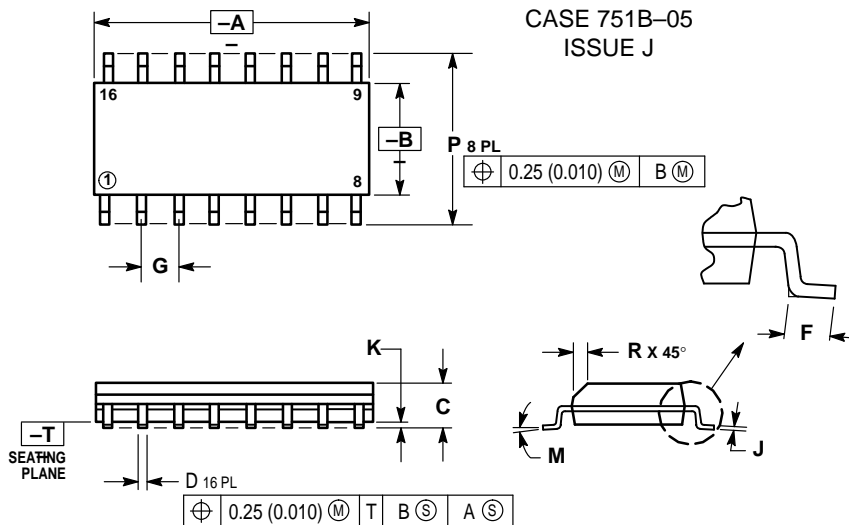
N SUFFIX
PLASTIC PACKAGE
CASE 648-08
ISSUE R



- NOTES:
- DIMENSIONING AND TOLERANCING PER ANSI Y14.5M, 1982.
 - CONTROLLING DIMENSION: INCH.
 - DIMENSION L TO CENTER OF LEADS WHEN FORMED PARALLEL.
 - DIMENSION B DOES NOT INCLUDE MOLD FLASH.
 - ROUNDED CORNERS OPTIONAL.

| DIM | INCHES | | MILLIMETERS | |
|-----|-----------|-------|-------------|-------|
| | MIN | MAX | MIN | MAX |
| A | 0.740 | 0.770 | 18.80 | 19.55 |
| B | 0.250 | 0.270 | 6.35 | 6.85 |
| C | 0.145 | 0.175 | 3.69 | 4.44 |
| D | 0.015 | 0.021 | 0.39 | 0.53 |
| F | 0.040 | 0.070 | 1.02 | 1.77 |
| G | 0.100 BSC | | 2.54 BSC | |
| H | 0.050 BSC | | 1.27 BSC | |
| J | 0.008 | 0.015 | 0.21 | 0.38 |
| K | 0.110 | 0.130 | 2.80 | 3.30 |
| L | 0.295 | 0.305 | 7.50 | 7.74 |
| M | 0° | 10° | 0° | 10° |
| S | 0.020 | 0.040 | 0.51 | 1.01 |

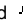
D SUFFIX
PLASTIC SOIC PACKAGE
CASE 751B-05
ISSUE J



- NOTES:
- DIMENSIONING AND TOLERANCING PER ANSI Y14.5M, 1982.
 - CONTROLLING DIMENSION: MILLIMETER.
 - DIMENSIONS A AND B DO NOT INCLUDE MOLD PROTRUSION.
 - MAXIMUM MOLD PROTRUSION 0.15 (0.006) PER SIDE.
 - DIMENSION D DOES NOT INCLUDE DAMBAR PROTRUSION. ALLOWABLE DAMBAR PROTRUSION SHALL BE 0.127 (0.005) TOTAL IN EXCESS OF THE D DIMENSION AT MAXIMUM MATERIAL CONDITION.

| DIM | MILLIMETERS | | INCHES | |
|-----|-------------|-------|-----------|-------|
| | MIN | MAX | MIN | MAX |
| A | 9.80 | 10.00 | 0.386 | 0.393 |
| B | 3.80 | 4.00 | 0.150 | 0.157 |
| C | 1.35 | 1.75 | 0.054 | 0.068 |
| D | 0.35 | 0.49 | 0.014 | 0.019 |
| F | 0.40 | 1.25 | 0.016 | 0.049 |
| G | 1.27 BSC | | 0.050 BSC | |
| J | 0.19 | 0.25 | 0.008 | 0.009 |
| K | 0.10 | 0.25 | 0.004 | 0.009 |
| M | 0° | 7° | 0° | 7° |
| P | 5.80 | 6.20 | 0.229 | 0.244 |
| R | 0.25 | 0.50 | 0.010 | 0.019 |

MC54/74HCT161A MC54/74HCT163A

Motorola reserves the right to make changes without further notice to any products herein. Motorola makes no warranty, representation or guarantee regarding the suitability of its products for any particular purpose, nor does Motorola assume any liability arising out of the application or use of any product or circuit, and specifically disclaims any and all liability, including without limitation consequential or incidental damages. "Typical" parameters can and do vary in different applications. All operating parameters, including "Typicals" must be validated for each customer application by customer's technical experts. Motorola does not convey any license under its patent rights nor the rights of others. Motorola products are not designed, intended, or authorized for use as components in systems intended for surgical implant into the body, or other applications intended to support or sustain life, or for any other application in which the failure of the Motorola product could create a situation where personal injury or death may occur. Should Buyer purchase or use Motorola products for any such unintended or unauthorized application, Buyer shall indemnify and hold Motorola and its officers, employees, subsidiaries, affiliates, and distributors harmless against all claims, costs, damages, and expenses, and reasonable attorney fees arising out of, directly or indirectly, any claim of personal injury or death associated with such unintended or unauthorized use, even if such claim alleges that Motorola was negligent regarding the design or manufacture of the part. Motorola and  are registered trademarks of Motorola, Inc. Motorola, Inc. is an Equal Opportunity/Affirmative Action Employer.

How to reach us:

USA/EUROPE: Motorola Literature Distribution;
P.O. Box 20912; Phoenix, Arizona 85036. 1-800-441-2447

MFAX: RMFAX0@email.sps.mot.com -TOUCHTONE (602) 244-6609
INTERNET: <http://Design-NET.com>

JAPAN: Nippon Motorola Ltd.; Tatsumi-SPD-JLDC, Toshikatsu Otsuki,
6F Seibu-Butsuryu-Center, 3-14-2 Tatsumi Koto-Ku, Tokyo 135, Japan. 03-3521-8315

HONG KONG: Motorola Semiconductors H.K. Ltd.; 8B Tai Ping Industrial Park,
51 Ting Kok Road, Tai Po, N.T., Hong Kong. 852-26629298



◇ CODELINE

MC54/74HCT161A/D

