



4-BIT PARALLEL ACCESS SHIFT REGISTER

The functional characteristics of the MC74F195 4-Bit Parallel Access Shift Register are indicated in the Logic Diagram and Function Table. The device is useful in a wide variety of shifting, counting, and storage applications. It performs serial, parallel, serial-to-parallel, or parallel-to-serial data transfers at very high speeds.

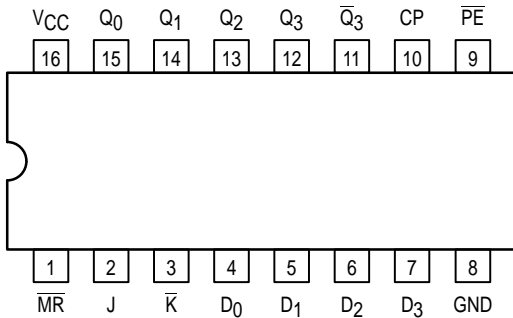
The MC74F195 operates in two primary modes, shift right (Q_0 - Q_1) and parallel load, which are controlled by the state of the Parallel Enable (\overline{PE}) input. Serial data enters the first flip-flop (Q_0) via the J and \overline{K} inputs when the \overline{PE} input is HIGH, and is shifted 1 bit in the direction Q_0 - Q_1 - Q_2 - Q_3 following each LOW-to-HIGH clock transition. The J and \overline{K} inputs provide the flexibility of the JK type input is made for special applications, and by tying the two pins together the simple D-type input is made for general applications. The device appears as four common clocked D flip-flops when the \overline{PE} input is LOW. After the LOW-to-HIGH clock transition, data on the parallel inputs (D_0 - D_3) is transferred to the respective Q_0 - Q_3 outputs. Shift left operation (Q_3 - Q_2) can be achieved by tying the Q_n outputs to the D_{n-1} inputs and holding the \overline{PE} input LOW.

All parallel and serial data transfers are synchronous, occurring after each LOW-to-HIGH clock transition. The MC74F195 utilizes edge-triggering; therefore, there is no restriction on the activity of the J, \overline{K} , D_n , and \overline{PE} inputs for logic operation, other than the setup and hold time requirements.

A LOW on the asynchronous Master Reset (\overline{MR}) input sets all Q outputs LOW, independent of any other input condition.

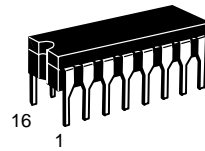
- Shift Right and Parallel Load Capability
- J- \overline{K} (D-Type) Inputs to First Stage
- Complement Output from Last Stage
- Asynchronous Master Reset

CONNECTION DIAGRAM DIP

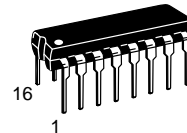


MC74F195

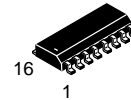
4-BIT PARALLEL ACCESS SHIFT REGISTER FAST™ SCHOTTKY TTL



J SUFFIX
CERAMIC
CASE 620-09



N SUFFIX
PLASTIC
CASE 648-08

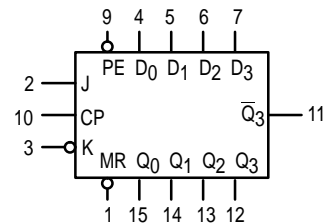


D SUFFIX
SOIC
CASE 751B-03

ORDERING INFORMATION

MC74FXXXJ	Ceramic
MC74FXXXN	Plastic
MC74FXXXD	SOIC

LOGIC SYMBOL



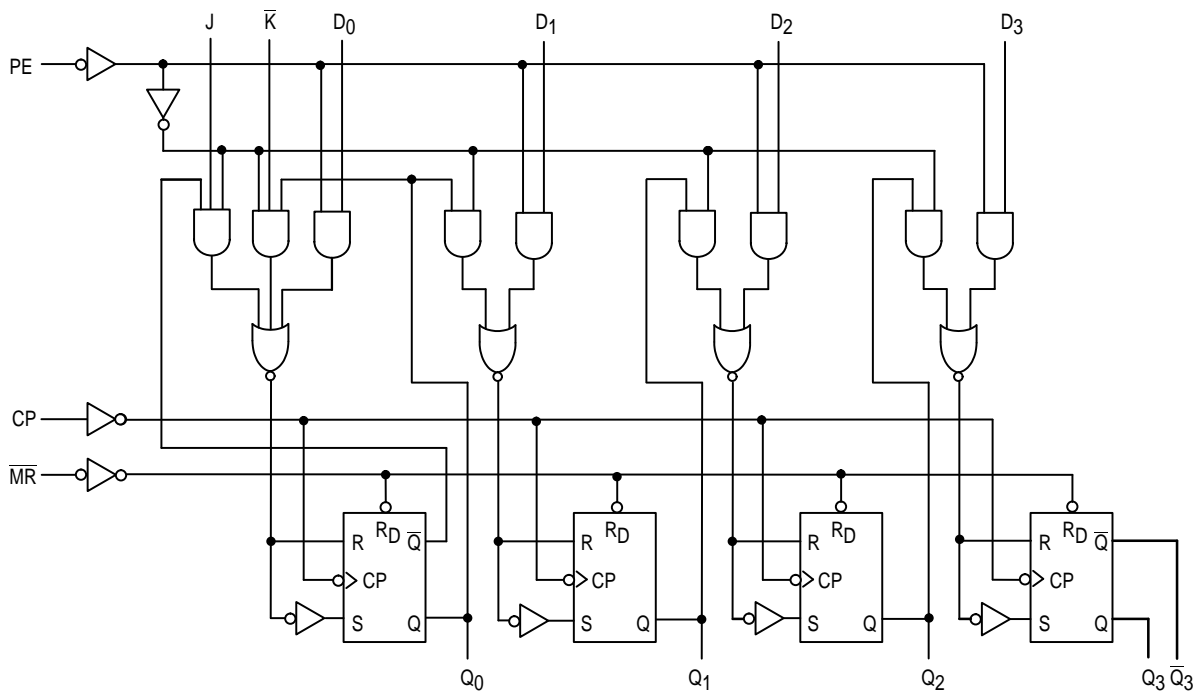
V_{CC} = PIN 16
GND = PIN 8

MC74F195

GUARANTEED OPERATING RANGES

Symbol	Parameter		Min	Typ	Max	Unit
V _{CC}	Supply Voltage	74	4.5	5.0	5.5	V
T _A	Operating Ambient Temperature Range	74	0	25	70	°C
I _{OH}	Output Current — High	74			-1.0	mA
I _{OL}	Output Current — Low	74			20	mA

LOGIC DIAGRAM



FUNCTION TABLE

Operating Modes	Inputs						Outputs				
	MR	CP	PE	J	K	D _n	Q ₀	Q ₁	Q ₂	Q ₃	Q ₃ -bar
Asynchronous Reset	L	X	X	X	X	X	L	L	L	L	H
Shift, Set First Stage	H	↑	h	h	h	X	H	q ₀	q ₁	q ₂	q ₂ -bar
Shift, Reset First Stage	H	↑	h	l	l	X	L	q ₀	q ₁	q ₂	q ₂ -bar
Shift, Toggle First Stage	H	↑	h	h	l	X	q ₀ -bar	q ₀	q ₁	q ₂	q ₂ -bar
Shift, Retain First Stage	H	↑	h	l	h	X	q ₀	q ₀	q ₁	q ₂	q ₂ -bar
Parallel Load	H	↑	l	X	X	d _n	d ₀	d ₁	d ₂	d ₃	d ₃ -bar

H = HIGH Voltage Level

L = LOW Voltage Level

X = Don't Care

d_n (q_n) = Lower case letters indicate the state of the referenced input (or output) one setup time prior to the LOW-to-HIGH clock transition.

↑ = LOW-to-HIGH clock transition

MC74F195

DC CHARACTERISTICS OVER OPERATING TEMPERATURE RANGE (unless otherwise specified)

Symbol	Parameter	Limits			Unit	Test Conditions	
		Min	Typ	Max			
V _{IH}	Input HIGH Voltage	2.0			V	Guaranteed Input HIGH Voltage	
V _{IL}	Input LOW Voltage			0.8	V	Guaranteed Input LOW Voltage	
V _{IK}	Input Clamp Diode Voltage			-1.2	V	I _{IN} = -18 mA	V _{CC} = MIN
V _{OH}	Output HIGH Voltage	74	2.5		V	I _{OH} = -1.0 mA	V _{CC} = 4.5 V
		74	2.7		V		V _{CC} = 4.75 V
V _{OL}	Output LOW Voltage			0.5	V	I _{OL} = 20 mA	V _{CC} = 4.5 V
I _{IH}	Input HIGH Current			20	μA	V _{IN} = 2.7 V	V _{CC} = MAX
				100		V _{IN} = 7.0 V	
I _{IL}	Input LOW Current			-0.6	mA	V _{CC} = MAX	
I _{OS}	Output Short Circuit Current (Note 2)	-60		-150	mA	V _{OUT} = 0 V	V _{CC} = MAX
I _{CC}	Power Supply Current			38	mA	V _{CC} = MAX	

NOTES:

- For conditions shown as MIN or MAX, use the appropriate value specified under guaranteed operating ranges.
- Not more than one output should be shorted at a time, nor for more than 1 second.

AC CHARACTERISTICS

Symbol	Parameter	54/74F		74F		Unit
		T _A = +25°C V _{CC} = +5.0 V C _L = 50 pF		T _A = 0°C to +70°C V _{CC} = 5.0 V ± 10% C _L = 50 pF		
		Min	Max	Min	Max	
f _{max}		105		90		MHz
t _{PLH}	Propagation Delay	2.5	7.0	2.5	8.0	ns
t _{PHL}	CP to Q/Q̄	2.5	8.0	2.5	9.0	
t _{PHL}	Propagation Delay, MR̄ to Q	3.0	10	3.0	11	ns
t _{PLH}	Propagation Delay, MR̄ to Q̄	3.0	10.5	3.0	11	ns

MC74F195

AC OPERATING REQUIREMENTS

Symbol	Parameter	74F		74F		Unit
		T _A = + 25°C V _{CC} = + 5.0 V C _L = 50 pF		T _A = 0°C to + 70°C V _{CC} = 5.0 V ± 10% C _L = 50 pF		
		Min	Max	Min	Max	
t _S (H)	Setup Time, HIGH or LOW J, K, D to CP	4.0		4.0		ns
t _S (L)		4.0		4.0		
t _H (H)	Hold Time, HIGH or LOW J, K, D to CP	0		1.0		ns
t _H (L)		0		1.0		
t _S (H)	Setup Time, HIGH or LOW \overline{PE} to CP	8.0		9.0		ns
t _S (L)		8.0		9.0		
t _H (H)	Hold Time, HIGH or LOW \overline{PE} to CP	0		0		ns
t _H (L)		0		0		
t _w (H)	CP Pulse Width, HIGH	5.0		5.5		ns
t _w (L)	\overline{MR} Pulse Width, LOW	5.0		5.0		ns
t _{rec}	Recovery Time, \overline{MR} to CP	7.0		8.0		ns