



54AC/74AC845 • 54ACT/74ACT845

8-Bit Transparent Latch with TRI-STATE® Outputs

General Description

The 'AC/'ACT845 bus interface latch is designed to eliminate the extra packages required to buffer existing latches and provide easy expansion through multiple OE controls. The 'AC/'ACT845 is functionally and pin compatible with AMD's Am29845.

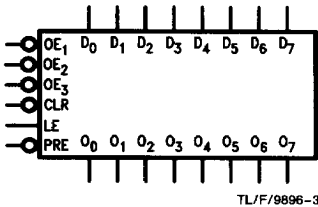
Features

- 'ACT845 has TTL-compatible inputs

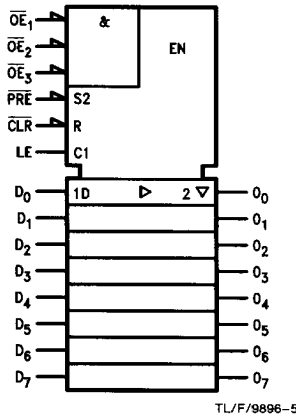
The information for the 'AC845 is Advanced Information only.

Ordering Code: See Section 5

Logic Symbols

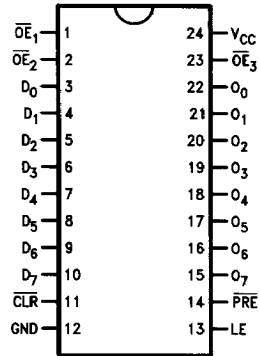


Pin Names	Description
D ₀ -D ₇	Data Inputs
O ₀ -O ₇	Data Outputs
OE ₁ -OE ₃	Output Enables
LE	Latch Enable
CLR	Clear
PRE	Preset

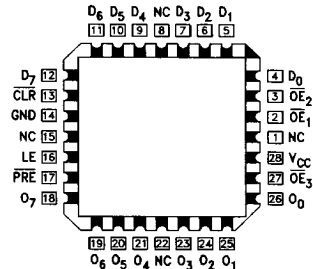


Connection Diagrams

Pin Assignment for DIP, Flatpak and SOIC



Pin Assignment for LCC



Functional Description

The 'ACT845 consists of eight D latches with TRI-STATE outputs. The flip-flops appear transparent to the data when Latch Enable (LE) is HIGH. This allows asynchronous operation as the output transition follows the data in transition.

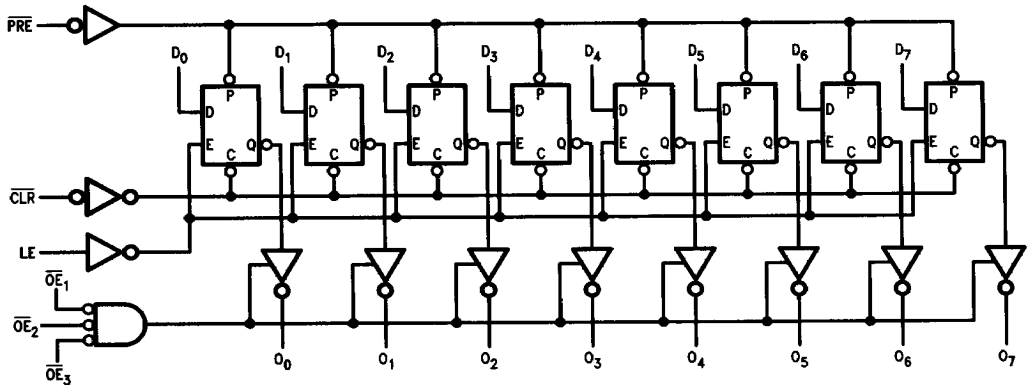
On the LE HIGH-to-LOW transition, the data that meets the setup times is latched Data appears on the bus when the Output Enables (\overline{OE}_1 , \overline{OE}_2 , \overline{OE}_3) are LOW. When any one of \overline{OE}_1 , \overline{OE}_2 or \overline{OE}_3 is HIGH, the bus output is in the high impedance state.

Function Table

Inputs					Internal	Output	Function
\overline{CLR}	\overline{PRE}	\overline{OE}_n	LE	D	Q	O	
H	H	H	H	L	L	Z	High Z
H	H	H	H	H	H	Z	High Z
H	H	H	L	X	NC	Z	Latched
H	H	L	H	L	L	L	Transparent
H	H	L	H	H	H	H	Transparent
H	H	L	L	X	NC	NC	Latched
H	L	L	X	X	H	H	Preset
L	H	L	X	X	L	L	Clear
L	L	L	X	X	H	H	Preset
L	H	H	L	X	L	Z	Clear/High Z
H	L	H	L	X	H	Z	Preset/High Z

H = HIGH Voltage Level
 L = LOW Voltage Level
 X = Immaterial
 Z = High Impedance
 NC = No Change

Logic Diagram



TL/F/8896-4

Please note that this diagram is provided only for the understanding of logic operations and should not be used to estimate propagation delays.

Absolute Maximum Ratings (Note 1)

If Military/Aerospace specified devices are required, please contact the National Semiconductor Sales Office/Distributors for availability and specifications.

Supply Voltage (V_{CC})	-0.5V to +7.0V
DC Input Diode Current (I_{IK})	
$V_I = -0.5V$	-20 mA
$V_I = V_{CC} + 0.5V$	+20 mA
DC Input Voltage (V_I)	-0.5V to $V_{CC} + 0.5V$
DC Output Diode Current (I_{OK})	
$V_O = -0.5V$	-20 mA
$V_O = V_{CC} + 0.5V$	+20 mA
DC Output Voltage (V_O)	-0.5V to $V_{CC} + 0.5V$
DC Output Source or Sink Current (I_O)	± 50 mA
DC V_{CC} or Ground Current	
Per Output Pin (I_{CC} or I_{GND})	± 50 mA
Storage Temperature (T_{STG})	-65°C to +150°C

Note 1: Absolute maximum ratings are those values beyond which damage to the device may occur. The databook specifications should be met, without exception, to ensure that the system design is reliable over its power supply, temperature, and output/input loading variables. National does not recommend operation of FACT™ circuits outside databook specifications.

Recommended Operating Conditions

Supply Voltage (V_{CC})	
*AC	2.0V to 6.0V
*ACT	4.5V to 5.5V
Input Voltage (V_I)	0V to V_{CC}
Output Voltage (V_O)	0V to V_{CC}
Operating Temperature (T_A)	
74ACT	-40°C to +85°C
54ACT	-55°C to +125°C
Junction Temperature (T_J)	
CDIP	175°C
PDIP	140°C
Input Rise and Fall Time	
(Note 2) (Typical)	
(Except Schmitt Inputs) (t_r , t_f)	
V_{IN} from 0.8V to 2.0V, V_{meas} from 0.8V to 2.0V	
V_{CC} @ 4.5V	10 ns/V
V_{CC} @ 5.5V	8 ns/V

Note 2: Individual data sheets for those devices which differ from the typical input rise and fall times noted here.

DC Electrical Characteristics for 'ACT Family Devices

Symbol	Parameter	74ACT		54ACT	74ACT	Units (V)	V_{CC}	Conditions
		$T_A = 25^\circ\text{C}$		$T_A = -55^\circ\text{C to } +125^\circ\text{C}$	$T_A = -40^\circ\text{C to } +85^\circ\text{C}$			
		Typ	Guaranteed Limits					
V_{IH}	Minimum High Level Input Voltage	1.5	2.0	2.0	2.0	V	4.5 5.5	$V_{OUT} = 0.1V$ or $V_{CC} - 0.1V$
		1.5	2.0	2.0	2.0			
V_{IL}	Maximum Low Level Input Voltage	1.5	0.8	0.8	0.8	V	4.5 5.5	$V_{OUT} = 0.1V$ or $V_{CC} - 0.1V$
		1.5	0.8	0.8	0.8			
V_{OH}	Minimum High Level	4.49	4.4	4.4	4.4	V	4.5 5.5	$I_{OUT} = -50 \mu\text{A}$
		5.49	5.4	5.4	5.4			
			3.86 4.86	3.70 4.70	3.76 4.76			
V_{OL}	Maximum Low Level Output Voltage	0.001	0.1	0.1	0.1	V	4.5 5.5	$I_{OUT} = 50 \mu\text{A}$
		0.001	0.1	0.1	0.1			
			0.36 0.36	0.50 0.50	0.44 0.44			
I_{IN}	Maximum Input Leakage Current		± 0.1	± 1.0	± 1.0	μA	5.5	$V_I = V_{CC}, \text{GND}$
I_{OZ}	Maximum TRI-STATE Leakage Current		± 0.5	± 10.0	± 5.0	μA	5.5	$V_I = V_{IL}, V_{IH}$ $V_O = V_{CC}, \text{GND}$
I_{CCT}	Maximum I_{CC}/Input	0.6		1.6	1.5	mA	5.5	$V_I = V_{CC} - 2.1V$
I_{OLD}	†Minimum Dynamic Output Current			50	75	mA	5.5	$V_{OLD} = 1.65V \text{ Max}$
I_{OHD}				-50	-75	mA	5.5	$V_{OHD} = 3.85V \text{ Min}$
I_{CC}	Maximum Quiescent Supply Current		8.0	160	80	μA	5.5	$V_{IN} = V_{CC}$ or Ground (Note 1)

*All outputs loaded; thresholds on input associated with output under test.

†Maximum test duration 2.0 ms, one output loaded at a time.

Note 1: I_{CC} limit for 54ACT @ 25°C is identical to 74ACT @ 25°C.

AC Electrical Characteristics: See Section 2 or Waveforms and Load Configurations

Symbol	Parameter	74ACT			54ACT		74ACT		Units	V _{CC} * (V)	Fig. No.
		T _A = +25°C C _L = 50 pF			T _A = -55°C to +125°C C _L = 50 pF		T _A = -40°C to +85°C C _L = 50 pF				
		Min	Typ	Max	Min	Max	Min	Max			
t _{PLH}	Propagation Delay D _n to O _n	2.0	5.5	9.5			2.0	10.0	ns	5.0	2-5
t _{PHL}	Propagation Delay D _n to O _n	2.0	5.5	9.5			2.0	10.0	ns	5.0	2-5
t _{PLH}	Propagation Delay LE to O _n	2.0	5.5	9.0			2.0	10.0	ns	5.0	2-6
t _{PHL}	Propagation Delay LE to O _n	2.0	5.5	9.0			2.0	10.0	ns	5.0	2-6
t _{PLH}	Propagation Delay PRE to O _n	2.0	6.5	14.0			2.0	16.0	ns	5.0	2-6
t _{PHL}	Propagation Delay CLR to O _n	2.0	7.5	15.5			2.0	17.5	ns	5.0	2-6
t _{PZH}	Output Enable Time OE to O _n	2.0	5.5	9.5			2.0	10.5	ns	5.0	2-7
t _{PZL}	Output Enable Time OE to O _n	2.0	5.5	9.5			2.0	10.5	ns	5.0	2-8
t _{PHZ}	Output Disable Time OE to O _n	2.0	6.0	10.5			2.0	11.0	ns	5.0	2-7
t _{PLZ}	Output Disable Time OE to O _n	2.0	6.0	10.5			2.0	11.0	ns	5.0	2-8
t _{PHL}	Propagation Delay PRE to O _n	2.0	6.0	10.5			2.0	11.0	ns	5.0	2-6
t _{PLH}	Propagation Delay CLR to O _n	2.0	5.5	9.5			2.0	10.5	ns	5.0	2-0

*Voltage Range 5.0 is 5.0V ±0.5V

AC Operating Requirements: See Section 2 for Waveforms

Symbol	Parameter	74ACT		54ACT	74ACT	Units	V _{CC} * (V)	Fig. No.
		T _A = +25°C C _L = 50 pF		T _A = -55°C to +125°C C _L = 50 pF	T _A = -40°C to +85°C C _L = 50 pF			
		Typ	Guaranteed Minimum					
t _s	Setup Time, HIGH or LOW D _n to LE	-0.5	0.5		1.0	ns	5.0	2-9
t _h	Hold Time, HIGH or LOW D _n to LE	0.5	2.0		2.0	ns	5.0	2-9
t _w	LE Pulse Width, HIGH	2.0	3.5		3.5	ns	5.0	2-6
t _w	PRE Pulse Width, LOW	5.0	8.5		10.0	ns	5.0	2-6
t _w	CLR Pulse Width, LOW	5.5	9.5		11.0	ns	5.0	2-6
t _{rec}	PRE Recovery Time	0.5	2.0		2.0	ns	5.0	2-9
t _{rec}	CLR Recovery Time	0	1.0		1.0	ns	5.0	2-9

*Voltage Range 5.0 is 5.0V ± 0.5V

Capacitance

Symbol	Parameter	54/74ACT	Units	Conditions
		Typ		
C _{IN}	Input Capacitance	4.5	pF	V _{CC} = 5.0V
C _{PD}	Power Dissipation Capacitance	44	pF	V _{CC} = 5.0V