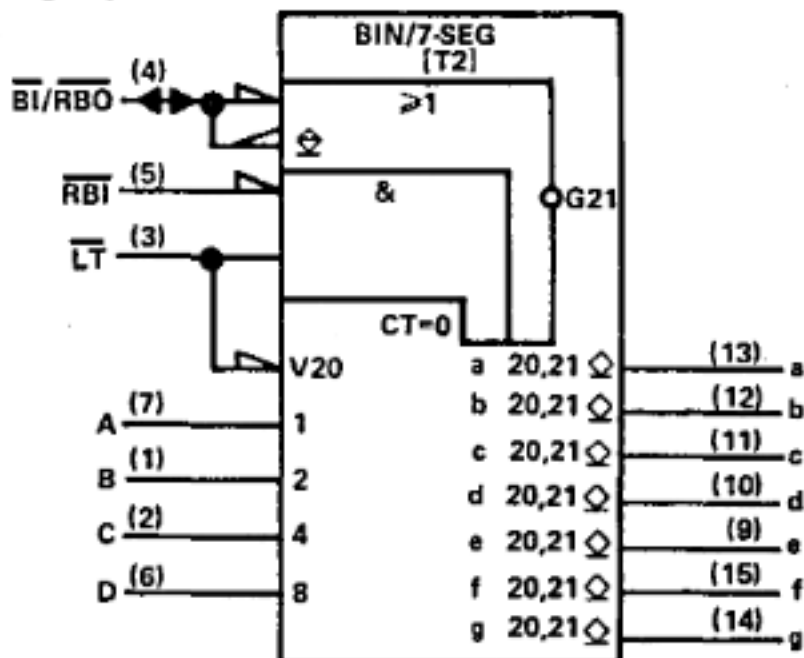


249

BCD-TO-SEVEN SEGMENT DECODERS/DRIVERS (open-collector outputs)

logic symbol†



pin assignments

J, N PACKAGES		FH, FN PACKAGES	
1 B	9 e	1 nc	11 nc
2 C	10 d	2 B	12 e
3 LT	11 c	3 C	13 d
4 BI/RBO	12 b	4 LT	14 c
5 RBI	13 a	5 BI/RBO	15 b
6 D	14 g	6 nc	16 nc
7 A	15 f	7 RBI	17 a
8 GND	16 VCC	8 D	18 g
		9 A	19 f
		10 GND	20 VCC

typical performance

TYPE	OUTPUT SINK CURRENT	OFF-STATE OUTPUT VOLTAGE	TOTAL POWER
'249	10 mA	5.5 V	265 mW
SN54LS249	4 mA	5.5 V	40 mW
SN74LS249	8 mA	5.5 V	40 mW

SN54249 (J,FH)

SN74249 (J,N)

SN54LS249 (J,FH)

SN74LS249 (J,N,FN)

† Pin numbers shown on logic symbols are for J and N packages only.
nc — no internal connection.

FONT TABLE T2 -- RESULTANT DISPLAYS USING '248 AND '249



0 1 2 3 4 5 6 7 8 9 10 11 12 13 14 15

TEXAS
INSTRUMENTS

POST OFFICE BOX 225012 • DALLAS, TEXAS 75265