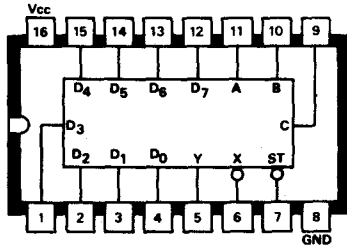


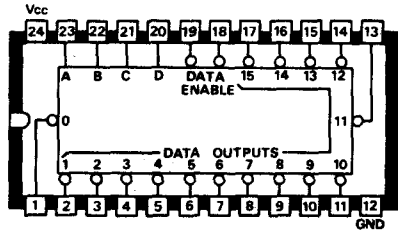
# Semiconductors

## Connection Diagrams

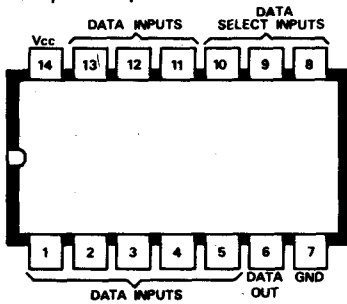
B103 **SN74151N**  
**SN74S151N/SN74C151N**  
8-bit data selector/multiplexer



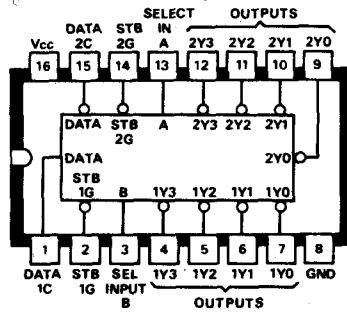
B106 **SN74154N**  
**SN74L154AN/SN74C154N**  
4 to 16 line decoder



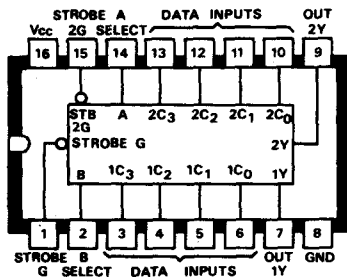
B104 **SN74152N**  
8 Input Multiplexer



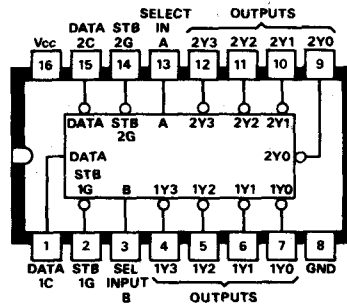
B107 **SN74155N**  
Dual 2 to 4 line demultiplexer



B105 **SN74153N**  
**SN74S153N**  
Dual 4 to 1 line multiplexer



B108 **SN74156N**  
Dual 2 to 4 line demultiplexer  
with open collector output



MANUFACTURER'S CURRENT LIST PRICES ARE ALWAYS CHARGED