

DATA SHEET

For a complete data sheet, please also download:

- The IC04 LOCMOS HE4000B Logic Family Specifications HEF, HEC
- The IC04 LOCMOS HE4000B Logic Package Outlines/Information HEF, HEC

HEF4014B

MSI

8-bit static shift register

Product specification
File under Integrated Circuits, IC04

January 1995

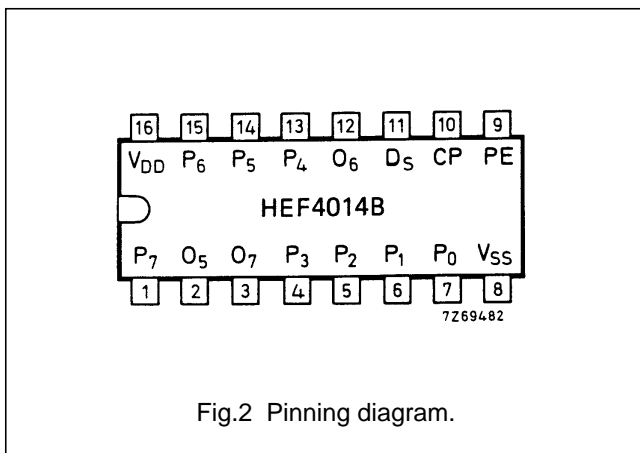
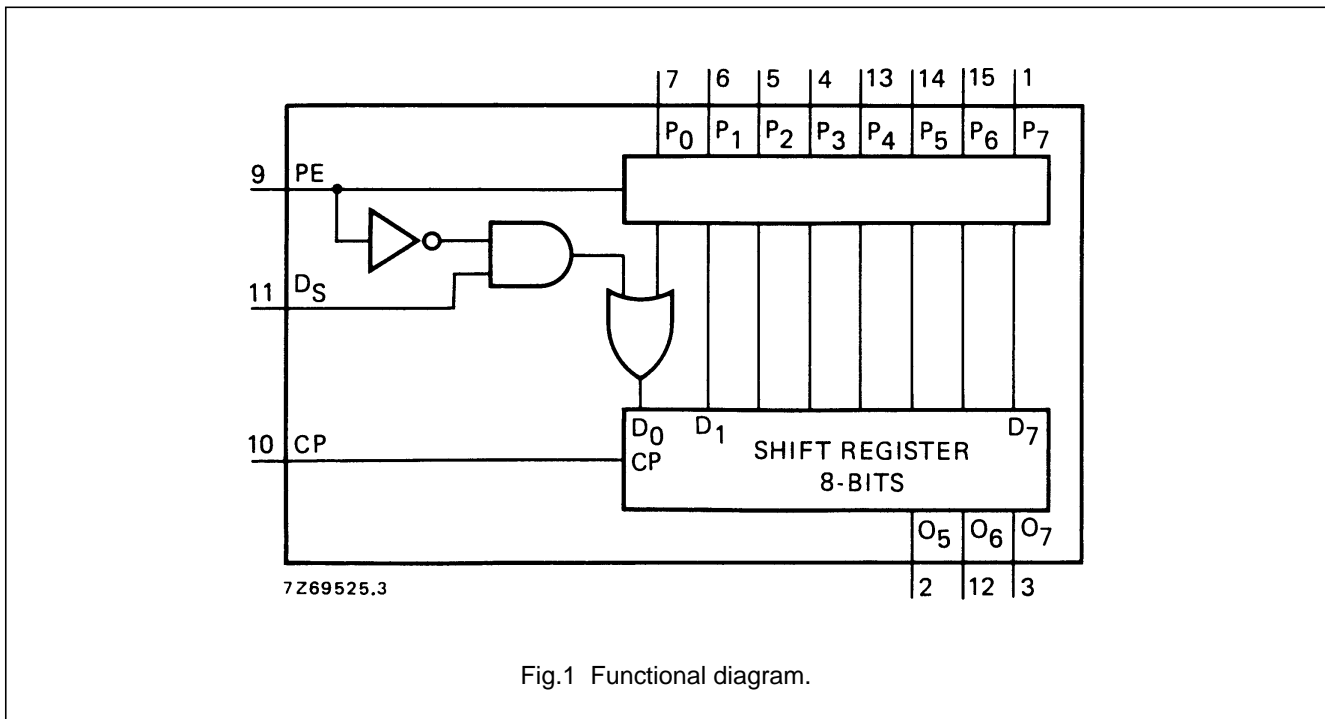
8-bit static shift register

HEF4014B
MSI

DESCRIPTION

The HEF4014B is a fully synchronous edge-triggered 8-bit static shift register with eight synchronous parallel inputs (P₀ to P₇), a synchronous serial data input (D_S), a synchronous parallel enable input (PE), a LOW to HIGH edge-triggered clock input (CP) and buffered parallel outputs from the last three stages (O₅ to O₇).

Operation is synchronous and the device is edge-triggered on the LOW to HIGH transition of CP. Each register stage is of a D-type master-slave flip-flop. When PE is HIGH, data is loaded into the register from P₀ to P₇ on the LOW to HIGH transition of CP. When PE is LOW, data is shifted to the first position from D_S, and all the data in the register is shifted one position to the right on the LOW to HIGH transition of CP. Schmitt-trigger action in the clock input makes the circuit highly tolerant to slower clock rise and fall times



- HEF4014BP(N): 16-lead DIL; plastic (SOT38-1)
- HEF4014BD(F): 16-lead DIL; ceramic (cerdip) (SOT74)
- HEF4014BT(D): 16-lead SO; plastic (SOT109-1)
- (): Package Designator North America

FAMILY DATA, I_{DD} LIMITS category MSI

See Family Specifications

8-bit static shift register

HEF4014B
MSI

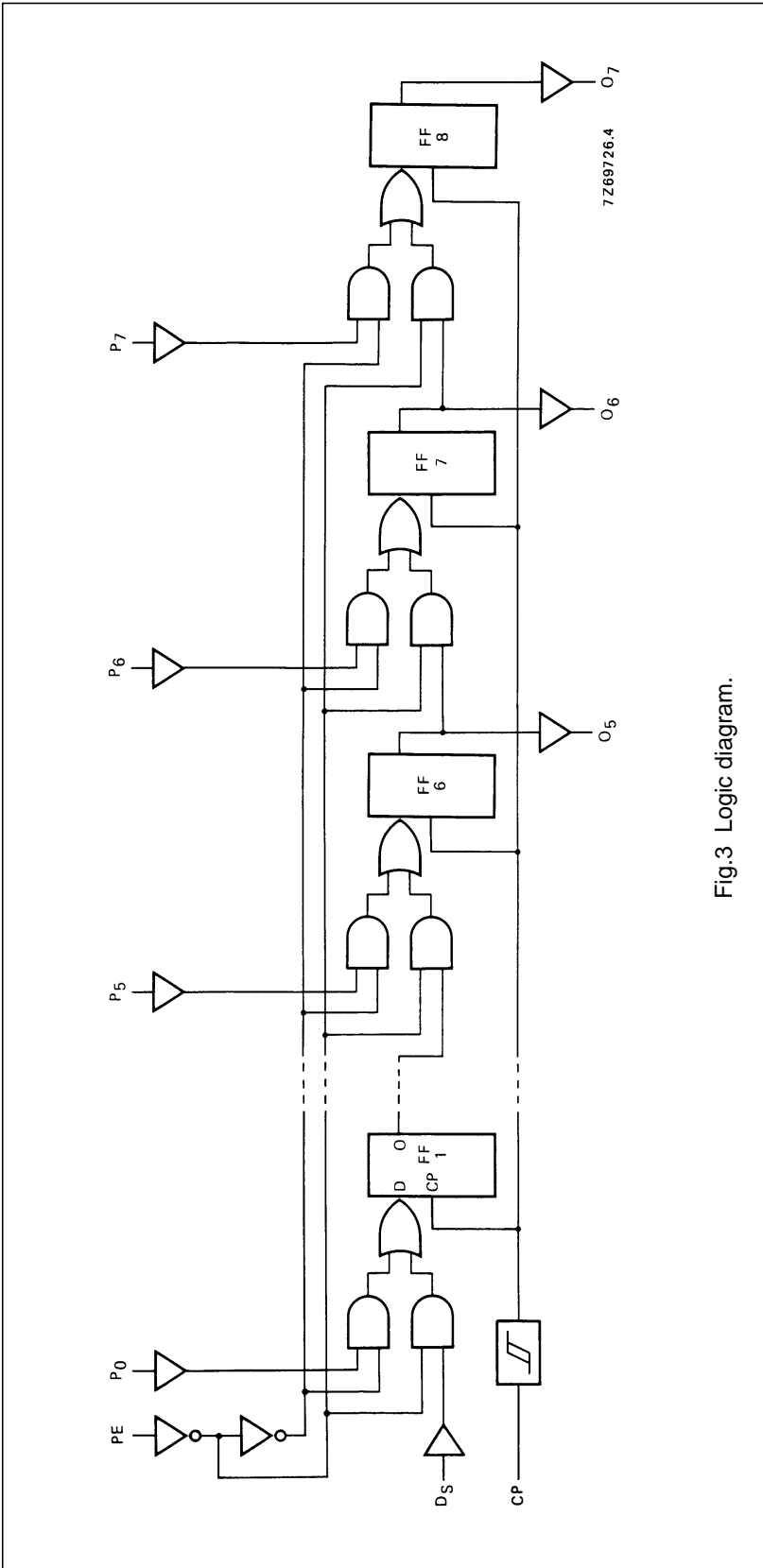


Fig.3 Logic diagram.

8-bit static shift register

HEF4014B
MSI

PINNING

- PE parallel enable input
- P₀ to P₇ parallel data inputs
- D_S serial data input
- CP clock input (LOW to HIGH edge-triggered)
- O₅ to O₇ buffered parallel outputs from the last three stages

FUNCTION TABLES

Serial operation

n	INPUTS			OUTPUTS		
	CP	D _S	PE	O ₅	O ₆	O ₇
1		D ₁	L	X	X	X
2		D ₂	L	X	X	X
3		D ₃	L	X	X	X
6		X	L	D ₁	X	X
7		X	L	D ₂	D ₁	X
8		X	L	D ₃	D ₂	D ₁
		X	X	no change		

Parallel operation

n	INPUTS			OUTPUTS		
	CP	D _S	PE	O ₅	O ₆	O ₇
1		X	H	P ₅	P ₆	P ₇
		X	X	no change		

Notes

1. H = HIGH state (the more positive voltage)
 L = LOW state (the less positive voltage)
 X = state is immaterial
- = positive-going transition
 = negative-going transition
 D_n = either HIGH or LOW
 n = number of clock pulse transitions

AC CHARACTERISTICS

V_{SS} = 0 V; T_{amb} = 25 °C; C_L = 50 pF; input transition times ≤ 20 ns

	V _{DD} V	TYPICAL FORMULA FOR P (μW)	
Dynamic power dissipation per package (P)	5 10 15	$900 f_i + \sum (f_o C_L) \times V_{DD}^2$ $4\,300 f_i + \sum (f_o C_L) \times V_{DD}^2$ $12\,000 f_i + \sum (f_o C_L) \times V_{DD}^2$	where f _i = input freq. (MHz) f _o = output freq. (MHz) C _L = load cap. (pF) ∑ (f _o C _L) = sum of outputs V _{DD} = supply voltage (V)

8-bit static shift register

HEF4014B
MSI

AC CHARACTERISTICS

 $V_{SS} = 0\text{ V}$; $T_{amb} = 25\text{ }^{\circ}\text{C}$; $C_L = 50\text{ pF}$; input transition times $\leq 20\text{ ns}$

	V_{DD} V	SYMBOL	MIN.	TYP.	MAX.	TYPICAL EXTRAPOLATION FORMULA	
Propagation delays $C_P \rightarrow O_n$ HIGH to LOW	5			130	260	ns	$103\text{ ns} + (0,55\text{ ns/pF}) C_L$
	10	t_{PHL}		55	110	ns	$44\text{ ns} + (0,23\text{ ns/pF}) C_L$
	15			40	80	ns	$32\text{ ns} + (0,16\text{ ns/pF}) C_L$
LOW to HIGH	5			115	230	ns	$88\text{ ns} + (0,55\text{ ns/pF}) C_L$
	10	t_{PLH}		50	100	ns	$39\text{ ns} + (0,23\text{ ns/pF}) C_L$
	15			40	80	ns	$32\text{ ns} + (0,16\text{ ns/pF}) C_L$
Output transition times HIGH to LOW	5			60	120	ns	$10\text{ ns} + (1,0\text{ ns/pF}) C_L$
	10	t_{THL}		30	60	ns	$9\text{ ns} + (0,42\text{ ns/pF}) C_L$
	15			20	40	ns	$6\text{ ns} + (0,28\text{ ns/pF}) C_L$
LOW to HIGH	5			60	120	ns	$10\text{ ns} + (1,0\text{ ns/pF}) C_L$
	10	t_{TLH}		30	60	ns	$9\text{ ns} + (0,42\text{ ns/pF}) C_L$
	15			20	40	ns	$6\text{ ns} + (0,28\text{ ns/pF}) C_L$
Set-up times PE \rightarrow CP	5		40	10		ns	see also waveforms Fig.4
	10	t_{su}	25	5		ns	
	15		15	0		ns	
$D_S \rightarrow CP$	5		35	-5		ns	
	10	t_{su}	25	-5		ns	
	15		25	0		ns	
$P_n \rightarrow CP$	5		35	-5		ns	
	10	t_{su}	25	-5		ns	
	15		25	0		ns	
Hold times PE \rightarrow CP	5		25	-5		ns	
	10	t_{hold}	20	0		ns	
	15		15	0		ns	
$D_S \rightarrow CP$	5		30	15		ns	
	10	t_{hold}	20	10		ns	
	15		15	7		ns	
$P_n \rightarrow CP$	5		30	15		ns	
	10	t_{hold}	20	10		ns	
	15		15	7		ns	
Minimum clock pulse width; LOW	5		70	35		ns	
	10	t_{WCPL}	30	15		ns	
	15		24	12		ns	
Maximum clock pulse frequency	5		6	13		MHz	
	10	f_{max}	15	30		MHz	
	15		20	40		MHz	

8-bit static shift register

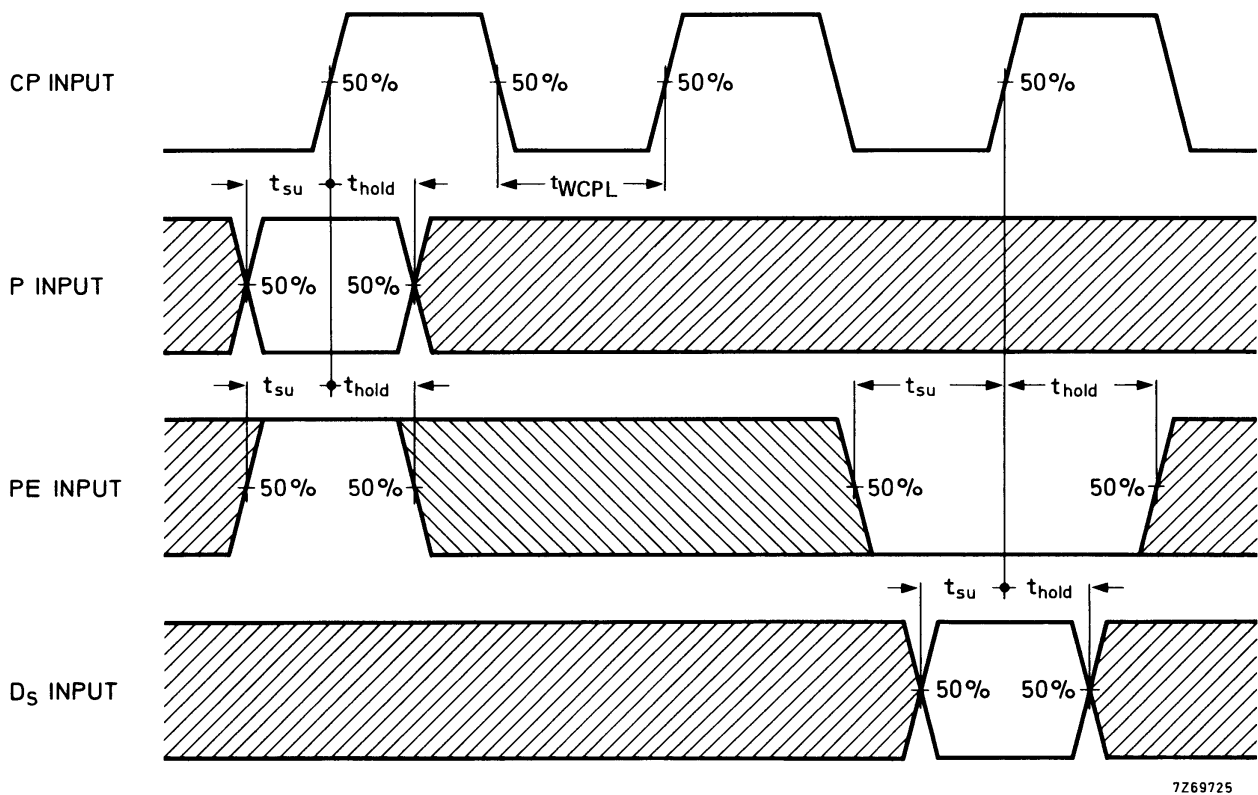
HEF4014B
MSI

Fig.4 Waveforms showing minimum clock pulse width, and set-up and hold times for PE to CP, D_S to CP, and P to CP. Set-up and hold times are shown as positive values but may be specified as negative values.

APPLICATION INFORMATION

Some examples of applications for the HEF4014B are:

- Parallel-to-serial converter
- Serial data queueing
- General purpose register