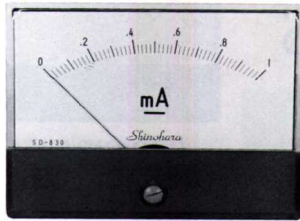




# SHINOHARA PANEL METER

## SD - SERIES PANEL



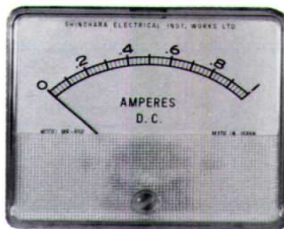
**SD-830**



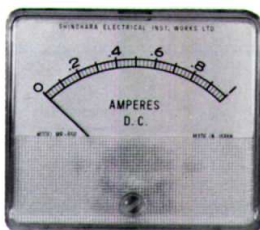
**SD-640**



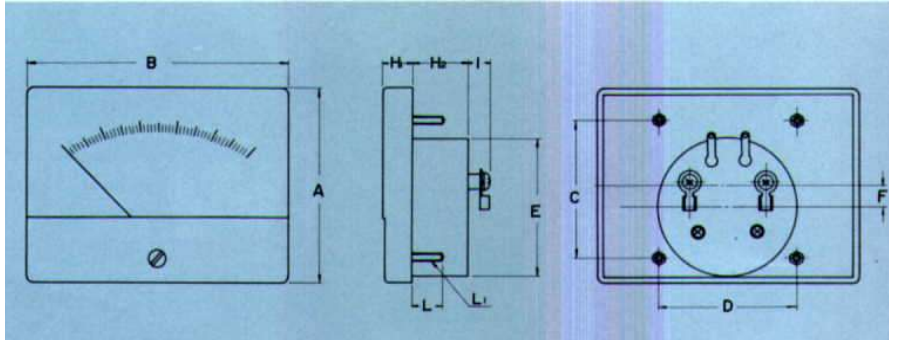
**SD-460**



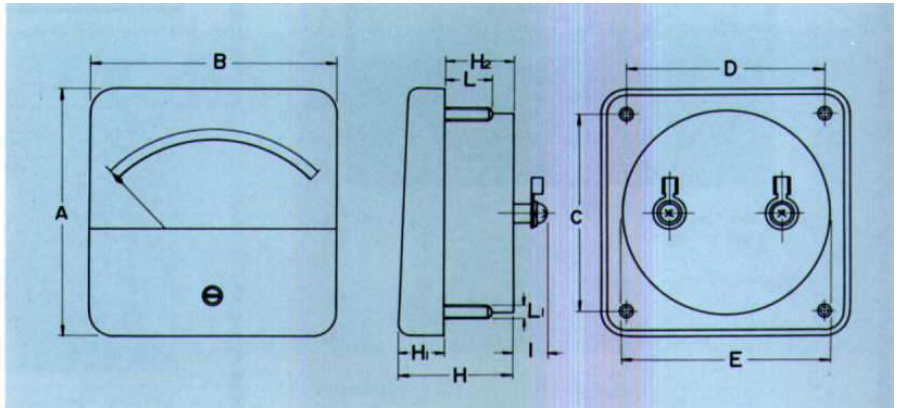
**MR-65P / CR-65P**



**SR-65PA / CR-65PA**



## MR / SR / CR - SERIES PANEL



### Dimensions :

Model No.	SD-830	SD-640	SD-460	MR-65P	SR-65PA
A	82.5	63.5	46	78	80
B	110	85	59.5	86	80
C	58	45	32	57	64
D	58	45	32	57	64
E	58	45	37.5	69	65
F	8	3	2		
H				41	36
H <sub>1</sub>	12.5	10.5	10	14	15
H <sub>2</sub>	23.5	23	23.5	28	22
I	9	7	7	17	8
L	13	10	10	12	14
L <sub>1</sub>	3	3	3	3	4

Mensure : mm