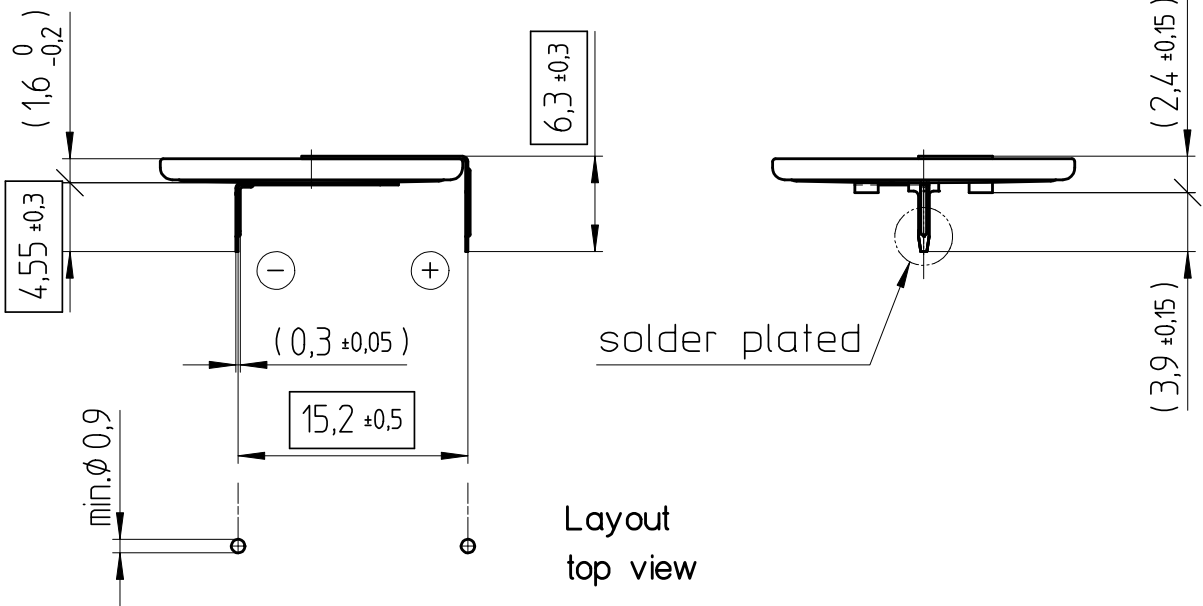
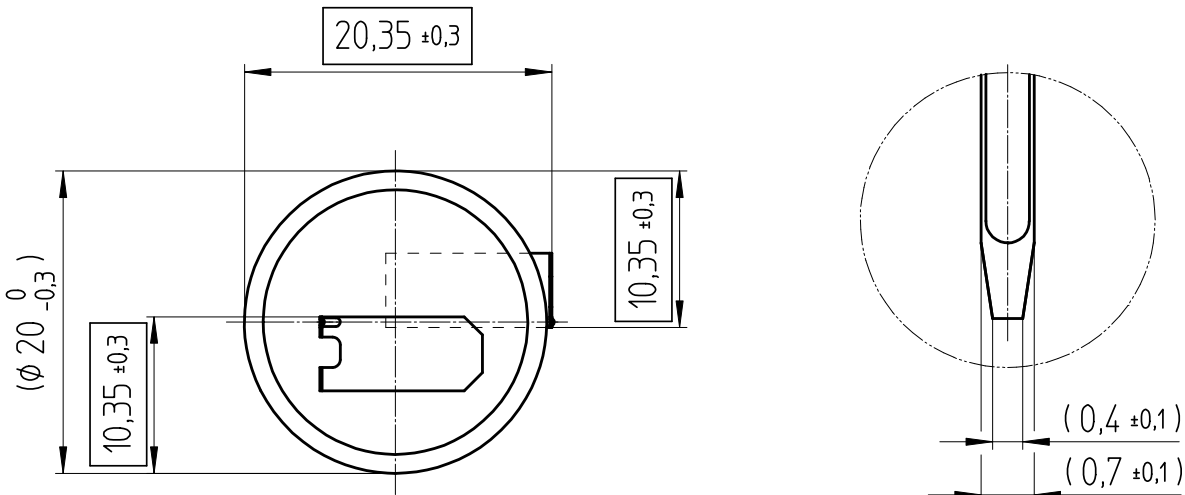


Art.-Number: 701072



Layout top view

- Samples can deviate in the execution from the serie.

Tab material: Stainless steel

All framed values will be used for dimension checking !

- Dimensions and tolerances can be specified only after the testing of the devices for the mass production definitely

Rev.	<input type="radio"/>			Rev.	<input type="radio"/>			Customer's Approval		
Rev.	<input type="radio"/>			Rev.	<input type="radio"/>			Date		
Rev.	<input type="radio"/>			Rev.	<input type="radio"/>			Signature		
Titel:							Scale	Drawn	23.12.04	SRi
CR2016FH-LF							2:1	Checked	07.02.05	MHo
								Approved		
							CH-4452 Itingen		3.8709.4-	
							Switzerland			