

Signetics

Integrated Circuits – Operational Amplifiers

μA709 Series

INTRODUCTION

The 709 is a high performance monolithic operational amplifier with differential inputs. High open loop gain, high input impedance, wide input common mode and output voltage ranges plus low temperature drift enable it to be used in many applications formerly satisfied only by discrete amplifiers.

FEATURES

- Open loop voltage gain = 45,000
- Output voltage swing = $\pm 14V$
- Input common mode range = $\pm 10V$
- Differential input resistance =
 - SA709C 250K
 - μA709C 250K
 - μA709 400K
 - μA709A 700K
- μA709, 709A Mil Std 883 A, B, C available

MAXIMUM RATINGS

PARAMETER	RATING	UNIT
Supply voltage	± 18	V
Internal power dissipation*		
μA709C	250	mW
μA709	300	mW
Differential input voltage	± 5.0	V
Input voltage	± 10	V
Output short-circuit duration ($T_A = 25^\circ C$)	5	sec
Operating temperature range		$^\circ C$
μA709C	0 to +75	$^\circ C$
μA709	-55 to +125	$^\circ C$
SA709	-40 to +85	$^\circ C$
Storage temperature range	-65 to +150	$^\circ C$
Lead temperature (soldering, 60sec)	300	$^\circ C$

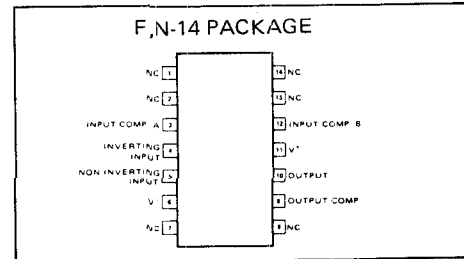
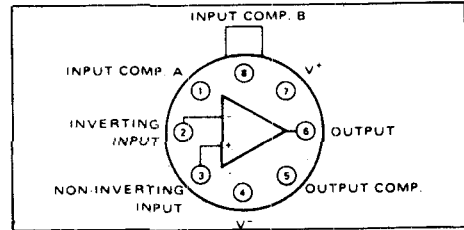
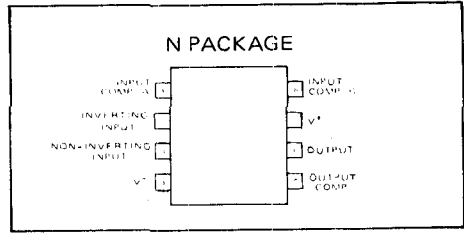
*NOTE

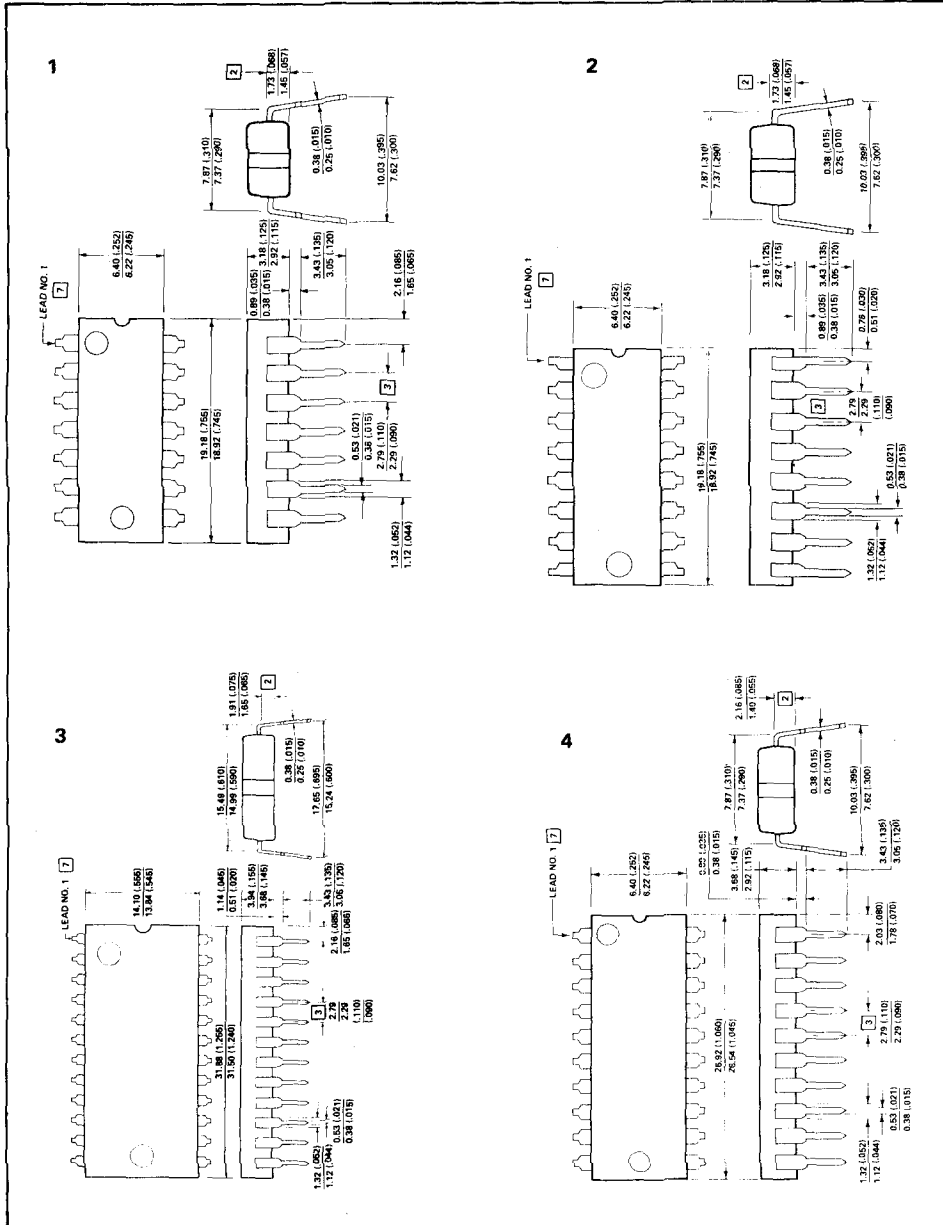
Rating applied for case temperatures to +125°C. Derate linearly at 5.6mW/°C for ambient temperatures above +95°C.

REFERENCE TABLE

TYPE NO.	STOCK NO.	OUTLINE DRWG. NO.
μA709F	55954A	1
μA709T	55955X	7
μA709AT	55956H	7
μA709CN-14	55957F	1
μA709CT	55958D	7
μA709CN	55959B	8

CONNECTION DIAGRAM





PLEASE QUOTE STOCK NO.
AND MANUFACTURERS PART NO. WHEN ORDERING



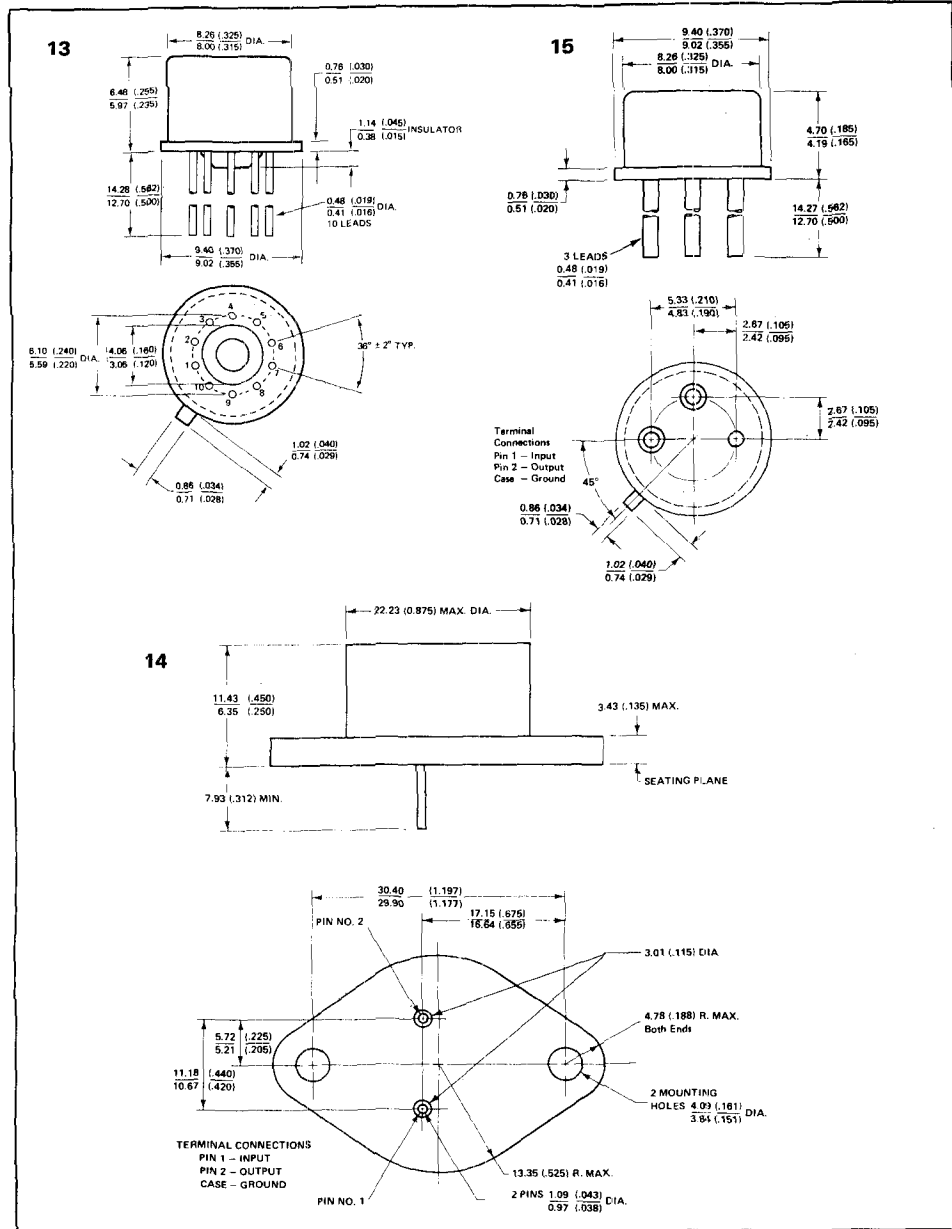


PLEASE QUOTE STOCK NO.
AND MANUFACTURERS PART NO. WHEN ORDERING

ITT GEMINI

Signetics

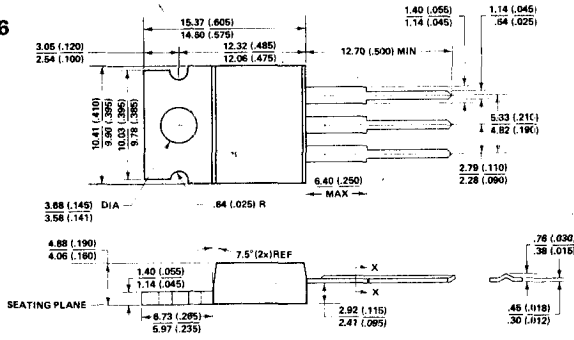
Outline Drawings



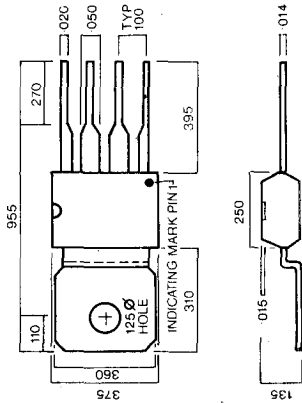
ITT GEMINI

FOR CURRENT PRICES PHONE
HARLOW (0279) 29644

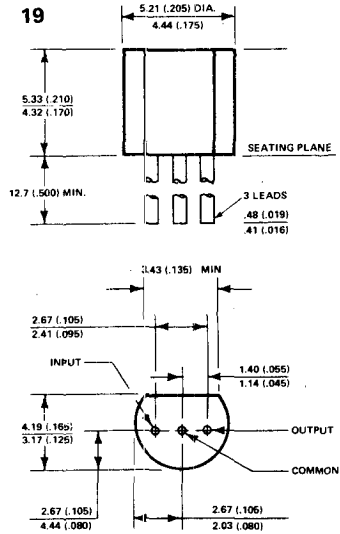
16



17



19



PLEASE QUOTE STOCK NO.
AND MANUFACTURER PART NO. WHEN ORDERING

ITT GEMINI

