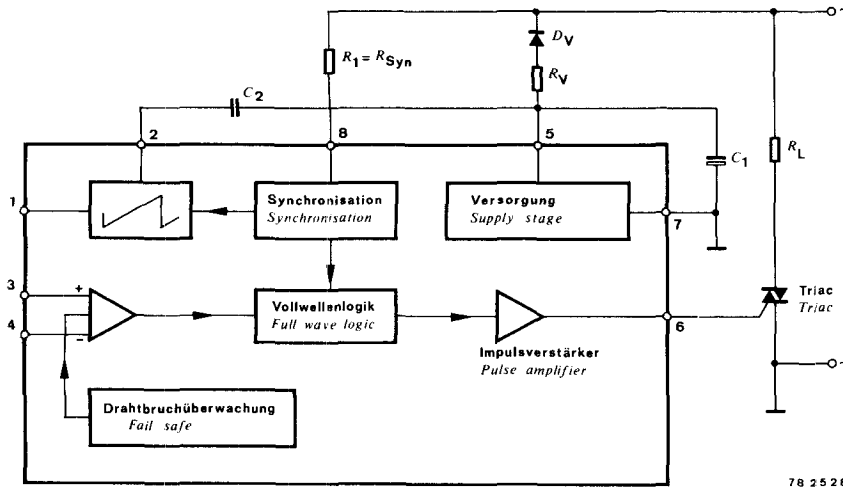


Integrated Trigger, Sensor and remote control circuits

U 217 B

Zero voltage switch

Supply voltage range	$-U_S$	8,6...9,9	V
Supply current	$-I_S$	30	mA
Output pulse	$-i_q$	100	mA



Applications:

Triac control in the zero crossing mode for static switch, burst firing, two-point driver proportional driver, power timer, etc. in one and three phase power supply from $16^2 I_3$ up to 400 Hz

Features:

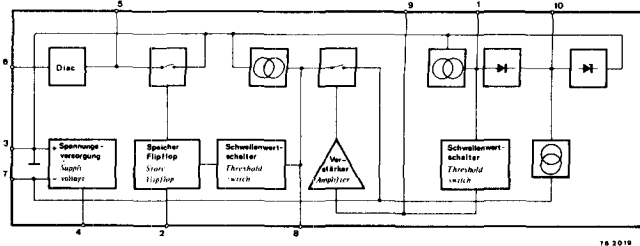
- Simple a.c. or d.c. power supply requirement and definite IC-switching characteristics
- Supply voltage control
- Very few external components
- Full wave drive – no d.c. current component in the load circuit
- Negative output current pulse typ. 100 mA – short circuit protected
- Simple power control
- Ramp generator
- Sensor fail safe

Case:

DIP 8-lead
Dimensions see page 60
Number 12

U 221 B

Monolithic Integrated Sensor Stair Case



Applications:

Sensor control stair light time switch with sensor and/or touch remote control and adjustable brightness

Features:

- Operation as two-wire-switch available
- Supply current $\leq 200 \mu A$
- Switch current ± 25 mA
- Sensor input sensitivity $\leq 1 \mu A$
- Trigger current up to ± 500 mA
- Integrated firing stage with $\Delta U = 10$ V
- Controllable with U 113 B and/or mechanical keys by using a two-wire-line
- Interchangeable with mechanical switches without changing the installation

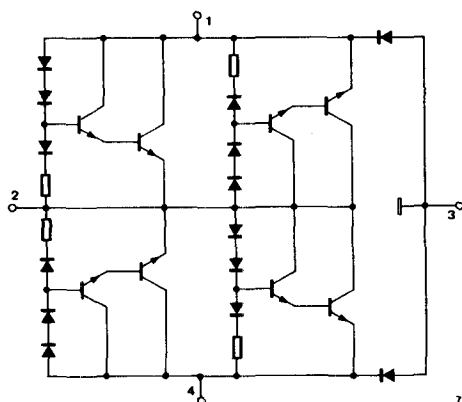
Case:

DIP 10-lead
Dimensions see page 60
Number 14

U 225 B

Limiter to limit the voltage on symmetrical two wire speech branches in PABEX

Supply voltage	Pin 3	$-U_S$	$5 V \pm 10\%$	
Input voltage $I_1 = 1,2$ A, $t_p = 10$ ms	Pin 1 or 4	$\pm U_1$	$\leq 3,2$	V
Input current $\pm U_1 = 0,6 \dots 1,4$ V	Pin 1 or 4	I_1	1 ... 20	μA



Features:

- Symmetrical limitation of noise voltage to ± 3.2 V
- Simultaneously effective for a- and b- branch
- Low ohmic due to active circuit
- High input current 1.2 A

Case:

20 A 4 DIN 41 866
Dimensions see page 60
Number 9