

## SYNCHRONIZATION PROCESSOR FOR TELEVISION RECEIVERS

### GENERAL DESCRIPTION

The TDA8370 is a sync processor designed to generate and synchronize horizontal and vertical signals in medium and high performance television receivers. The device is particularly suitable for application with teletext decoders and video tape recorders.

A video switch controlled by I<sup>2</sup>C bus command or analogue switched voltage selects internal or external composite video signals.

The processing of not line-locked vertical sync in non-standard mode is also possible.

### Features

- Two separate video inputs adapted to:
  - I.F. detector (front-end output)
  - or
  - peri-television connector selected by the video switch
- Buffered video output
- Horizontal sync separator with self-aligning levels
- Vertical sync separator 1 with self-aligning levels when standard mode selected
- Vertical sync separator 2 with self-aligning levels when non-standard mode selected (e.g. video tape recorder signal)
- Noise inverter
- Gated phase discriminator with switchable time constant for non-standard applications
- 6 MHz VCO for generation of clock signal for teletext display
- Noise level detector
- Automatic low-current starting circuit
- $\varphi$  2 phase control with shift adjustment not affecting gain or time constant
- Horizontal output optimized for operation with self-oscillating power supply
- Vertical divider system with automatic selection of 625 or 525 standard
- 50/60 Hz identification output voltage
- Mute output
- Coincidence detector
- Vertical shaping and feedback system with automatic 60 Hz amplitude correction
- 3-level sandcastle output
- Vertical guard circuit active via sandcastle output
- Scan composite sync (S.C.S.) output as slave input for teletext decoder
- Special "sense" ground pin to ensure correct feedback voltage in the frame deflection circuit
- I<sup>2</sup>C bus controlled teletext non-interlaced signal (N.I.L.)
- Line and frame frequencies switched to nominal when noise only is received in standard mode

### PACKAGE OUTLINES

28-lead DIL; plastic (SOT117).

## QUICK REFERENCE DATA

parameter	symbol	min.	typ.	max.	unit
Supply voltage (pin 22)	V <sub>p</sub>	10	12	13,2	V
Supply current (pin 22)	I <sub>p</sub>	—	125	150	mA
Starting current (pin 23)	I <sub>23</sub>	5	5,5	10	mA
Video input voltage (positive video)					
pin 1 (peak-to-peak value)	V <sub>1-20(p-p)</sub>	—	2,25	3	V
pin 5 (peak-to-peak value)	V <sub>5-20(p-p)</sub>	—	1	1,4	V
Horizontal flyback input current (pin 18)	I <sub>18</sub>	0,3	1	4	mA
Vertical comparator input (pin 14)					
a.c. input voltage (peak-to-peak value)	V <sub>14-20(p-p)</sub>	—	3	—	V
d.c. input voltage	V <sub>14-20</sub>	—	2,5	—	V
I <sup>2</sup> C clock input/analogue input (pin 7)					
analogue video switching voltage level	V <sub>7-20</sub>	6,5	—	7,5	V
I <sup>2</sup> C data input/analogue input (pin 8)					
for selecting peri-television connector input					
analogue switching voltage level for selecting					
non-standard mode (equal to V.T.R.)	V <sub>8-20</sub>	6,5	—	7,5	V
Max. horizontal output voltage (pin 17)	V <sub>17-20</sub>	14	—	16	V
Max. vertical drive output voltage (pin 13)	V <sub>13-20</sub>	—	—	10	V
Sandcastle 3-level output voltage (pin 9)					
burstkey	V <sub>9-20</sub>	—	10,8	—	V
horizontal blanking	V <sub>9-20</sub>	4,1	4,4	4,9	V
vertical blanking	V <sub>9-20</sub>	2,1	2,6	2,9	V
Scan composite sync output (pin 10)					
high output voltage at -I <sub>10</sub> = 5 mA	V <sub>10-20</sub>	4,3	4,8	5,3	V
output current	-I <sub>10</sub>	—	1	—	mA
Video output (pin 3)					
a.c. output voltage (peak-to-peak value)	V <sub>3-20(p-p)</sub>	2,6	3	3,4	V
d.c. level top sync	V <sub>3-20</sub>	2,8	3,2	3,7	V
50/60 Hz identification output voltage (pin 4)					
50 Hz at I <sub>4</sub> = 0,1 mA	V <sub>4-20</sub>	—	1,3	1,7	V
60 Hz at -I <sub>4</sub> = 5 mA	V <sub>4-20</sub>	8	10	—	V
output current	-I <sub>4</sub>	—	—	5	mA
Mute output voltage (pin 28)					
in-sync at I <sub>28</sub> = 0,1 mA	V <sub>28-20</sub>	—	1,2	1,5	V
out-of-sync/no sync at -I <sub>28</sub> = 0,5 mA	V <sub>28-20</sub>	—	10,5	—	V

DEVELOPMENT DATA

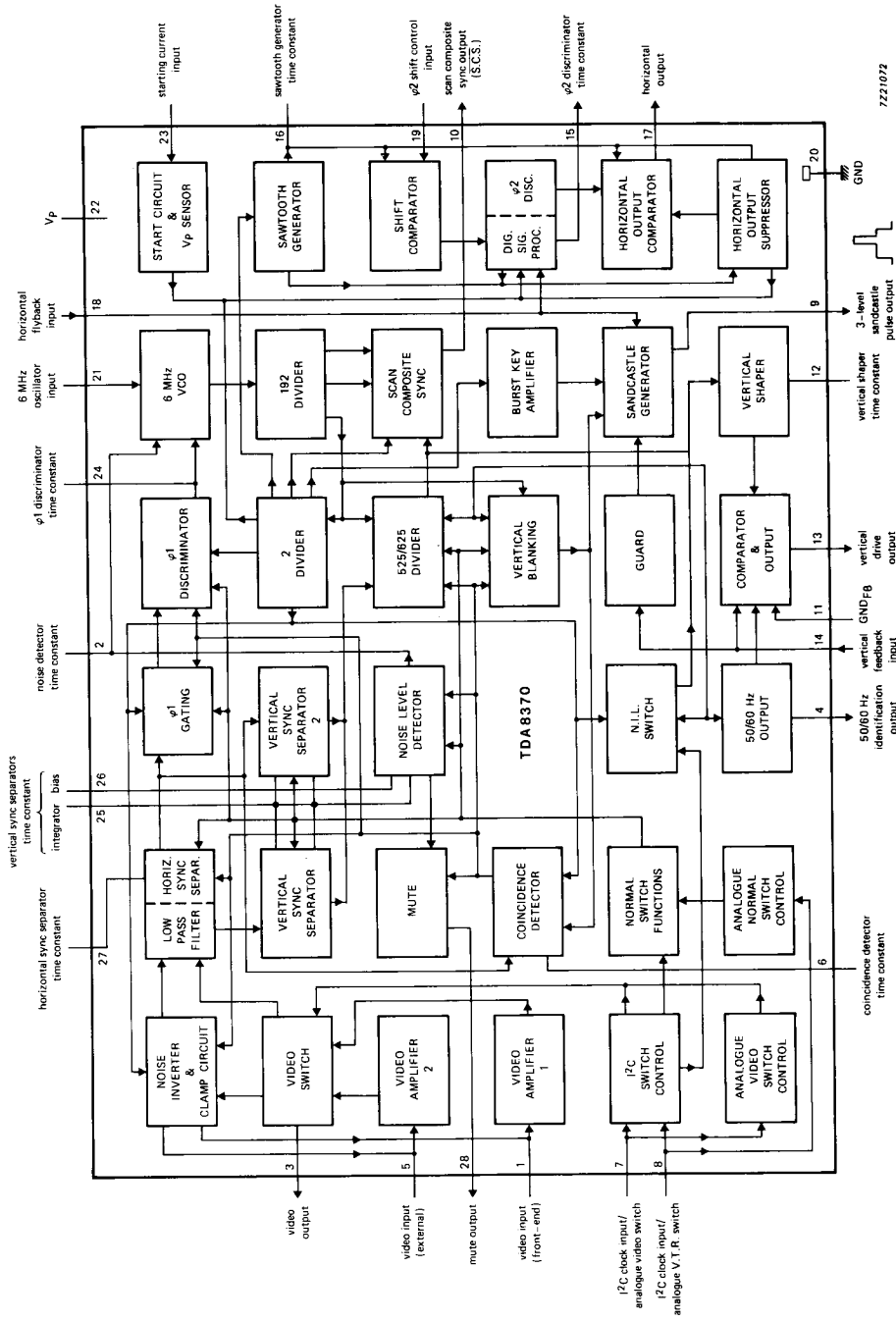


Fig. 1 Block diagram.

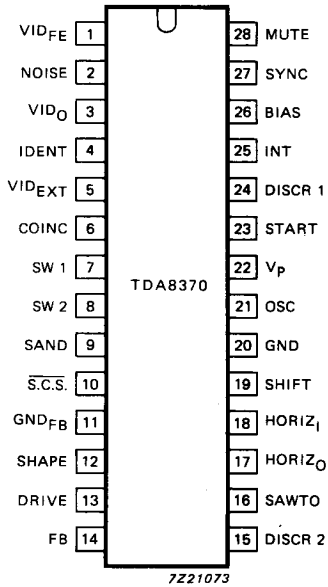


Fig. 2 Pinning diagram.

**PINNING**

1	VID <sub>FE</sub>	video input (front-end)
2	NOISE	noise detector time constant
3	VID <sub>O</sub>	video output
4	IDENT	50/60 Hz identification output
5	VID <sub>EXT</sub>	video input (external)
6	COINC	coincidence detector time constant
7	SW 1	I <sup>2</sup> C clock input/analogue video switch
8	SW 2	I <sup>2</sup> C data input/analogue V.T.R. switch
9	SAND	3-level sandcastle pulse output
10	$\overline{\text{S.C.S.}}$	scan composite sync output
11	GND <sub>FB</sub>	ground feedback input
12	SHAPE	vertical shaper time constant
13	DRIVE	vertical drive output
14	FB	vertical feedback input
15	DISCR 2	$\varphi$ 2 discriminator time constant
16	SAWTO	sawtooth generator time constant
17	HORIZ <sub>O</sub>	horizontal output
18	HORIZ <sub>I</sub>	horizontal flyback input
19	SHIFT	$\varphi$ 2 shift control input
20	GND	ground
21	OSC	6 MHz oscillator time constant
22	V <sub>P</sub>	positive supply voltage
23	START	starting current input
24	DISCR 1	$\varphi$ 1 discriminator time constant
25	INT	integrator time constant vertical sync separators
26	BIAS	time constant bias vertical sync separators
27	SYNC	horizontal sync separator time constant
28	MUTE	mute output

**RATINGS**

Limiting values in accordance with the Absolute Maximum System (IEC 134)

Supply voltage range (pin 22)	$V_p$	max.	13,2 V
Starting current (pin 23)	$I_{23}$	max.	10 mA
Power dissipation	$P_{tot}$	max.	2 W
Storage temperature range	$T_{stg}$		-25 to + 150 °C
Operating ambient temperature range	$T_{amb}$		0 to + 70 °C

**Thermal resistance**

From junction to ambient (in free)	$R_{th\ j\ a}$	=	40 K/W
Operating junction temperature	$T_j$	max.	150 °C

DEVELOPMENT DATA

## CHARACTERISTICS

$V_p = 12 \text{ V}$ ;  $I_{23} = 5,5 \text{ mA}$ ; 6 MHz clock oscillator operating at nominal frequency; synchronized;  
 $T_{amb} = 25 \text{ }^\circ\text{C}$ ; measured in test set-up Fig. 6; unless otherwise specified

parameter	symbol	min.	typ.	max.	unit
Supply voltage (pin 22)	$V_p$	10	12	13,2	V
Supply current (pin 22)	$I_p$	—	125	150	mA
Starting current (pin 23)	$I_{23}$	5,0	5,5	10	mA
<b>Video input (pin 1)</b>					
A.C. coupled input voltage positive video (peak-to-peak value)	$V_{1-20(p-p)}$	—	2,25	3,0	V
D.C. level top sync	$V_{1-20}$	5,0	5,5	6,5	V
Input impedance	$ Z_{1-20} $	—	20	—	$k\Omega$
Generator resistance	$R_G$	—	75	150	$\Omega$
Allowable sync compression *		20	—	—	dB
<b>Video input (pin 5)</b>					
A.C. coupled input voltage positive video (peak-to-peak value)	$V_{5-20(p-p)}$	—	1,0	1,4	V
D.C. level top sync	$V_{5-20}$	3,5	4,2	4,9	V
Input impedance	$ Z_{5-20} $	—	20	—	$k\Omega$
Generator resistance	$R_G$	—	75	150	$\Omega$
Allowable sync compression		20	—	—	dB
<b>Video output (pin 3)</b>					
Output voltage** positive video (peak-to-peak value)	$V_{3-20(p-p)}$	2,7	3,0	3,3	V
D.C. level top sync	$V_{3-20}$	2,8	3,2	3,7	V
Resistance npn emitter follower	$R_{3-20}$	—	—	50	$\Omega$
Bandwidth at $-I_3 = 5 \text{ mA}$	B	10	15	—	MHz
Crosstalk between video signals pin 1 or pin 5 to pin 3		—	—	-54	dB
Noise inversion threshold level	$V_{3-20}$	1,9	2,1	2,3	V

\* When not selected the negative-going input voltage is clamped at 0 V.

\*\* Measured at  $V_{1-20(p-p)} = 2,25 \text{ V}$  or  $V_{5-20(p-p)} = 1 \text{ V}$ .

DEVELOPMENT DATA

parameter	symbol	min.	typ.	max.	unit
<b>Horizontal sync separator (pin 27)</b>					
D.C. voltage level	$V_{27-20}$	—	6,2	—	V
Line ripple voltage (peak-to-peak value) during standard mode	$V_{27-20}$	—	2,8	—	mV
during non-standard mode	$V_{27-20}$	—	0,6	—	mV
<b><math>\varphi</math> 1 discriminator (pin 24)</b>					
Catching range	$\pm \Delta f$	600	1000	1400	Hz
Holding range	$\pm \Delta f$	*	1000	1200	Hz
Phase shift		—	0,5	—	$\mu\text{s}/\text{kHz}$
Input resistance during sync pulse with slow time constant	$R_{24-20}$	—	12,6	—	$\text{k}\Omega$
with fast time constant	$R_{24-20}$	—	2,2	—	$\text{k}\Omega$
<b>6 MHz VCO (pin 21)</b>					
Output frequency free running at $V_{2-20} > 7 \text{ V}$	$f_o$	—	6	—	MHz
Frequency variation without tolerance of external components	$\Delta f_o$	—	—	$\pm 4$	%
Frequency variation as a function of supply voltage	$\Delta f_o/\Delta V_p$	—	—	0,01	
Temperature coefficient of oscillator frequency	$TC_{\text{osc}}$	—	1400	—	Hz/K
A.C. input voltage (peak-to-peak value)	$V_{21-20(p-p)}$	—	0,3	—	V
D.C. input voltage	$V_{21-20}$	—	1,6	—	V
<b>Sawtooth generator (pin 16)</b>					
Start of negative slope of sawtooth	$V_{16-20}$	—	7,2	—	V
Start flyback of sawtooth	$V_{16-20}$	—	3,7	—	V
$\varphi$ 2 trigger pulse width (see Fig. 3)	$t_W$	—	6,8	—	$\mu\text{s}$
$\varphi$ 2 loop not synchronized by $\varphi$ 1 loop					
Start of negative slope of sawtooth	$V_{16-20}$	—	7,2	—	V
Start flyback of sawtooth	$V_{16-20}$	—	3,4	—	V
Flyback time (see Fig. 3)	$t_{fb}$	0,9	1,3	1,7	$\mu\text{s}$
Output frequency free running at $V_p = 8,5 \text{ V}$	$f_o$	—	15,4	—	kHz
Frequency variation without tolerance of external components	$\Delta f_o$	—	—	$\pm 4$	%

\* Value to be fixed.

## CHARACTERISTICS (continued)

parameter	symbol	min.	typ.	max.	unit
<b>Horizontal output (pin 17)</b>					
Output current open collector npn; $V_{17-20} = 0,5 \text{ V}$	$I_{17}$	—	—	10	mA
Output voltage protection (2 internal zener diodes)	$V_{17-20}$	14	—	16	V
Maximum output current during voltage protection	$I_{17}$	—	0	1	mA
Delay between start of sawtooth output pulse at pin 16 and: negative-going edge of horizontal output voltage (see Fig. 3)	$t_{d1}$	14,5	16	17,5	$\mu\text{s}$
positive-going control edge of horizontal output voltage (see Fig. 3)	$t_{d2(\text{min.})}$	25	28	31	$\mu\text{s}$
	$t_{d2(\text{max.})}$	—	$T_H$	—	$\mu\text{s}$
	$t_{d2^*}$	—	$T_H$	—	$\mu\text{s}$
Condition: $I_{23} = 5 \text{ to } 10 \text{ mA}$					
Horizontal output pulse present if:	$V_{23-20}$	—	—	6	V
Horizontal output pulse not present if:	$V_{23-20}$	4	—	—	V
and	$I_{23}$	3	—	—	mA
$\delta$ Horizontal output is a function of the input voltage at pin 23					
$\delta = 0$	$V_{23-20}$	—	—	4	V
$\delta = \text{maximum}$	$V_{23-20}$	8,5	—	—	V
Horizontal output suppression time	$t_s$	20	22	24	$\mu\text{s}$
<b><math>\varphi</math> 2 discriminator (pin 15)</b>					
Control current	$\pm I_{15}$	600	800	1000	$\mu\text{A}$
Control sensitivity	$\Delta\varphi_i/\Delta\varphi_o$	—	400	—	
Input current at $V_{15-20} = 4 \text{ V}$ ; $V_P = 0 \text{ V}$	$I_{15}$	—	—	0,6	$\mu\text{A}$
Condition: No flyback pulse and $V_{23-20} > 5 \text{ V}$					
Output voltage at pin 15	$V_{15-20}$	2,7	3	3,3	V
Condition: $V_P < 8,9 \text{ V}$					
Output voltage at pin 15	$V_{15-20}$	2,7	3	3,3	V

\* Delay with no horizontal flyback pulse present at pin 18.



parameter	symbol	min.	typ.	max.	unit
<b>φ 2 shift control input (pin 19)</b>					
Shift control range		—	$1/16T_H + \Delta$	—	μs
Δ		0,2	—	1	μs
Delay between rising edge of horizontal flyback at the slicing level and rising edge of burst key pulse (see Fig. 2)	$t_{d3}(\text{min.})$	—	3	—	μs
	$t_{d3}(\text{max.})$	—	$7 + \Delta$	—	μs
$t_{d3}$ = min. when:	$V_{19-20}$	—	—	4,5	V
$t_{d3}$ = max. when:	$V_{19-20}$	0	—	—	V
Shift control is active when:	$V_{22-20}$	> 8,9	> 9,5	> 10	V
<b>Starting control input (pin 23)</b>					
Starting by current to pin 23:					
minimum	$I_{23}$	3	—	5	mA
maximum allowed	$I_{23}$	—	—	10	mA
Starting by a voltage on pin 22:					
required input current	$I_{23}$	0	—	10	mA
stabilized voltage	$V_{23-20}$	8,2	8,7	9,2	V
Supply current is added to starting current if:					
$V_P > V_{23-20}$ and $V_{23-20} < 8,5$ V	$V_{23-20}$	—	$V_P - V_{BE}$	—	V
<b>Horizontal flyback input (pin 18)</b>					
Slicing level input voltage	$V_{18-20}$	0,7	0,9	1,1	V
Input current	$I_{18}$	0,3	1	4	mA
Maximum input current	$-I_{18}$	—	—	1	mA
Maximum input voltage	$V_{18-20}$	—	—	$V_P$	V
<b>Vertical sync separator integrator time constant (pin 25)</b>					
Condition: Standard mode					
D.C. voltage level of vertical sync top of integrated video	$V_{25-20}$	8,5	9,0	9,5	V
black level of integrated video during vertical blanking	$V_{25-20}$	4,0	4,5	5,0	V
Input resistance	$R_{25-20}$	—	5,1	—	kΩ
Condition: Non-standard mode					
Input voltage level of integrated vertical sync top level	$V_{25-20}$	9,5	10,7	11,0	V
integrated vertical sync amplitude (peak-to-peak value)	$V_{25-20}(p-p)$	—	8,9	—	V

## CHARACTERISTICS (continued)

parameter	symbol	min.	typ.	max.	unit
<b>Vertical sync separator biasing (pin 26)</b>					
Input voltage in standard mode	V <sub>26-20</sub>	—	5,9	—	V
Input voltage in non-standard mode	V <sub>26-20</sub>	—	8,4	—	V
<b>Vertical shaper (pin 12)</b>					
Condition: 50 Hz					
Ramp voltage starting level	V <sub>12-20</sub>	—	2	—	V
Flyback voltage starting level	V <sub>12-20</sub>	6,0	6,25	6,5	V
Condition: 60 Hz					
Ramp voltage starting level	V <sub>12-20</sub>	—	2	—	V
Flyback voltage starting level	V <sub>12-20</sub>	5,35	5,6	5,85	V
Flyback time (normal)	t <sub>fb</sub>	170	220	270	μs
Flyback time controlled by second half of N.I.L. signal		—	t <sub>fb</sub> -32	—	μs
<b>Vertical drive output (pin 13)</b>					
Open collector pnp					
Maximum output current at V <sub>13-20</sub> = 8 V	-I <sub>13</sub>	3	—	—	mA
Output voltage LOW with 100 kΩ resistor to ground	V <sub>13-20</sub>	—	—	300	mV
<b>Vertical feedback input (pin 14)</b>					
A.C. input voltage not synchronized					
50 and 60 Hz condition:					
non-standard mode					
input voltage (peak-to-peak value)	V <sub>14-11(p-p)</sub>	—	3	—	V
d.c. average input voltage	V <sub>14-11</sub>	—	2,8	—	V
Parabolic pre-correction convex (50 Hz)					
		—	4	—	%
Parabolic pre-correction convex (60 Hz)					
		—	3,3	—	%
Guard circuit input					
input voltage HIGH	V <sub>14-11</sub>	5,3	5,7	6,1	V
input voltage LOW	V <sub>14-11</sub>	—	—	0	V
input voltage at V <sub>14-20</sub> = 2,5 V	-I <sub>14</sub>	—	1,5	6,1	μA
<b>Ground feedback input (pin 11)</b>					
A.C. feedback voltage	V <sub>11-20</sub>	—	0	—	V

DEVELOPMENT DATA

parameter	symbol	min.	typ.	max.	unit
<b>50/60 Hz identification output (pin 4)</b>					
50 Hz output voltage at $I_4 = 0,1$ mA	V <sub>4-20</sub>	—	1,3	1,7	V
60 Hz output voltage at $-I_4 = 5$ mA	V <sub>4-20</sub>	8	10	—	V
<b>3-level sandcastle output (pin 9)</b>					
Output voltage during burst key at $-I_9 = 0,5$ mA	V <sub>9-20</sub>	—	10,8	—	V
at $-I_9 = 5$ mA	V <sub>9-20</sub>	8,0	9,7	—	V
Output voltage during horizontal blanking at $-I_9 = 0,5$ mA	V <sub>9-20</sub>	4,1	4,4	4,9	V
Output voltage during vertical blanking at $-I_9 = 0,5$ mA	V <sub>9-20</sub>	2,1	2,6	2,9	V
Zero level output voltage at $I_9 = 0,5$ mA	V <sub>9-20</sub>	—	0,25	0,5	V
Pulse width:					
burst key at $V_{9-20} = 7$ V	t <sub>W</sub>	3,7	4,0	4,3	μs
horizontal blanking at $V_{9-20} = 3,5$ V	t <sub>W</sub>	—	*	—	
Vertical blanking (see Fig. 4)					
Condition: 50 Hz direct synchronization					
Start of vertical blanking with respect to start of vertical sync, dependent on integration at pin 25	t <sub>bk</sub>	—	16	—	μs
Duration of vertical blanking	t <sub>d</sub>	—	$22,5T_H - t_{bk}$	—	μs
Condition: 50 Hz indirect synchronization					
Start of vertical blanking with respect to start of vertical sync	t <sub>bk</sub>	—	$-(2,5T_H + 20 \mu s)$	—	
Duration of vertical blanking	t <sub>d</sub>	—	$25T_H + 2 \mu s$	—	
Condition: 60 Hz direct synchronization					
Start of vertical blanking with respect to start of vertical sync, dependent on integration at pin 25	t <sub>bk</sub>	—	16	—	μs
Duration of vertical blanking	t <sub>d</sub>	—	$18,5T_H - t_{bk}$	—	μs
Condition: 60 Hz indirect synchronization					
Start of vertical blanking with respect to start of vertical sync	t <sub>bk</sub>	—	0	—	μs
Duration of vertical blanking	t <sub>d</sub>	—	$18,5T_H$	—	μs
Phase position of burst key delay between the middle of the sync pulse on the video input and the rising edge of the burst key pulse at a slicing level of 7 V		2,5	2,9	3,3	μs

\* Width of horizontal flyback on pin 18 pulse at the slicing level.

## CHARACTERISTICS (continued)

parameter	symbol	min.	typ.	max.	unit
<b>S.C.S. output (pin 10)</b>					
Output voltage HIGH at $-I_{10} = 5 \text{ mA}$	V <sub>10-20</sub>	4,3	4,8	5,3	V
Output voltage LOW at $I_{10} = 0,5 \text{ mA}$	V <sub>10-20</sub>	—	0,2	0,5	V
Conditions:*					
Noise only on video input pin 1 or 5 or indirect sync 50 Hz with a 4,7 $\mu\text{s}$ horizontal sync pulse width on pin 1 or 5					
Delay between the starting edge of the horizontal sync pulse of the video input signal and the starting edge of the horizontal sync pulse in the S.C.S. signal		-0,25	0	0,25	$\mu\text{s}$
<b>Noise detector time constant (pin 2)</b>					
Condition: Standard mode					
Output voltage strong signal	V <sub>2-20</sub>	—	4,6	5,3	V
noise only**	V <sub>2-20</sub>	—	7,2	—	V
Switching voltage level strong signal $\rightarrow$ noise only	V <sub>2-20</sub>	5,7	6,2	6,7	V
noise only $\rightarrow$ strong signal	V <sub>2-20</sub>	—	5,6	—	V
<b>Coincidence detector (pin 6)</b>					
Average voltage level in-sync	V <sub>6-20</sub>	6,8	8	—	V
out-of-sync	V <sub>6-20</sub>	—	—	2,1	V
noise only	V <sub>6-20</sub>	—	—	2,4	V
Switching voltage level (see also Fig. 5) fast $\rightarrow$ normal $\Delta$	V <sub>6-20</sub>	—	4,4	—	V
normal $\rightarrow$ fast $\Delta$	V <sub>6-20</sub>	—	2,4	—	V

\* All other conditions will cause distorted vertical sync pulses and/or equalizing pulses in the S.C.S. signal.

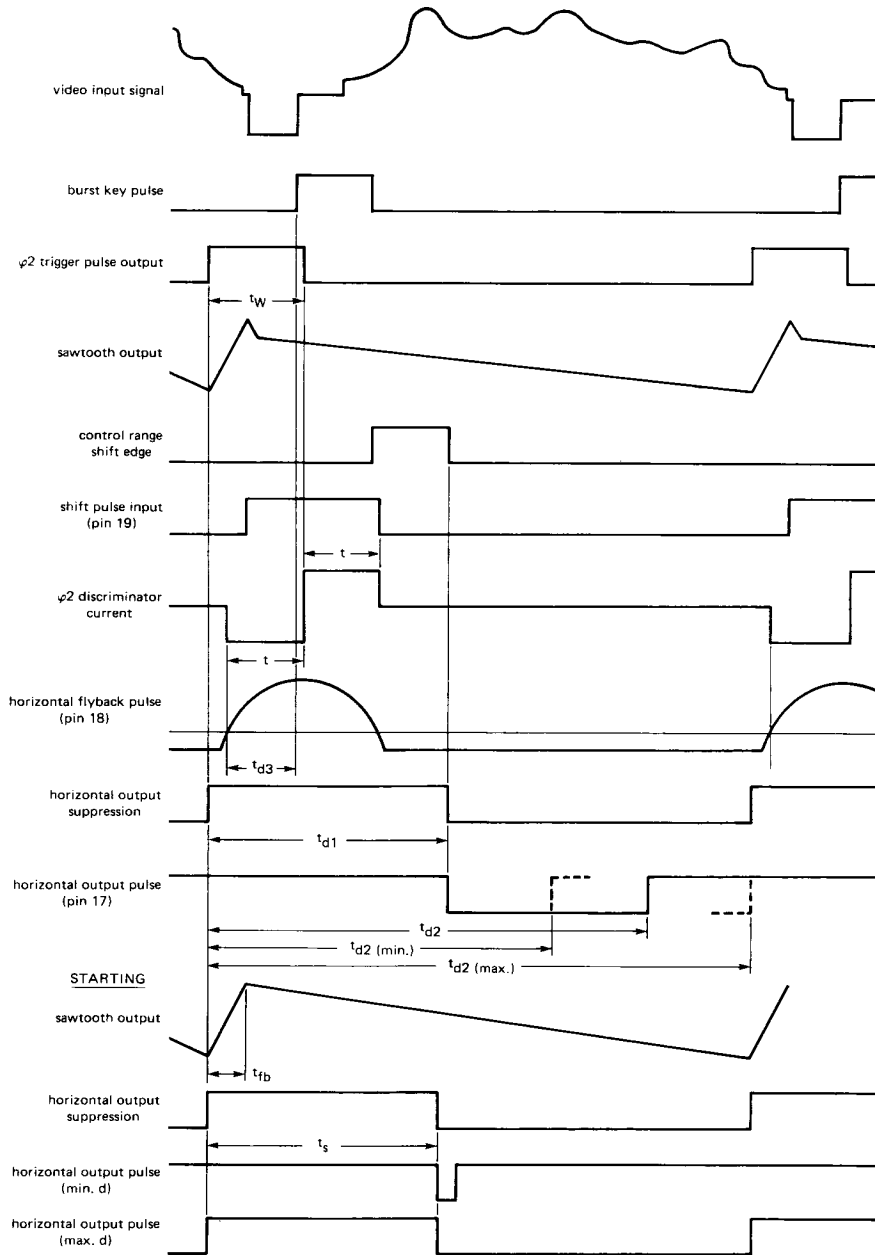
\*\* When noise only is received the 6 MHz oscillator is switched to nominal frequency and the frame divider to the 625 standard.

$\Delta$  This switching level is also valid for clamp gating,  $\varphi$  1 gating, muting, frame divider indirect/direct sync, horizontal sync separator gated/self-aligned and noise detector inhibit/inhibit off.

DEVELOPMENT DATA

parameter	symbol	min.	typ.	max.	unit
<b>Mute output (pin 28)</b>					
Output voltage					
not synchronized					
at $-I_{28} = 0,5 \text{ mA}$	$V_{28-20}$	—	10,5	—	V
at $-I_{28} = 5 \text{ mA}$	$V_{28-20}$	7,0	8,5	—	V
synchronized					
at $I_{28} = 0,1 \text{ mA}$	$V_{28-20}$	—	1,2	1,5	V
<b>I<sup>2</sup>C clock input/ analogue input video switch (pin 7)</b>					
Input voltage					
analogue input inactive	$V_{7-20}$	5	—	—	V
analogue input switching level (external video selected)	$V_{7-20}$	6,5	—	7,5	V
Input current					
at $V_p = 0 \text{ V}$	$ I_7 $	—	—	10	$\mu\text{A}$
at $V_p = 12 \text{ V}$	$-I_7$	—	—	10	$\mu\text{A}$
I <sup>2</sup> C clock input switching voltage level	$V_{7-20}$	1,5	2,6	3,0	V
<b>I<sup>2</sup>C data input/ * analogue V.T.R. switch (pin 8)</b>					
Input voltage					
analogue input inactive	$V_{8-20}$	5	—	—	V
analogue input switching level (non-standard mode)	$V_{8-20}$	6,5	—	7,5	V
Input current					
at $V_p = 0 \text{ V}$	$ I_8 $	—	—	10	$\mu\text{A}$
at $V_p = 12 \text{ V}$	$-I_8$	—	—	10	$\mu\text{A}$
I <sup>2</sup> C data input switching voltage level	$V_{8-20}$	1,5	2,6	3,0	V
During acknowledge					
pull-down current	$-I_8$	—	—	5	mA
saturation voltage	$V_{8-20}$	—	—	1,5	V

\* For address and data byte definition see Fig. 6 and Table 1 respectively.



7221076

Fig. 3 Timing diagram; video input and starting time.

DEVELOPMENT DATA

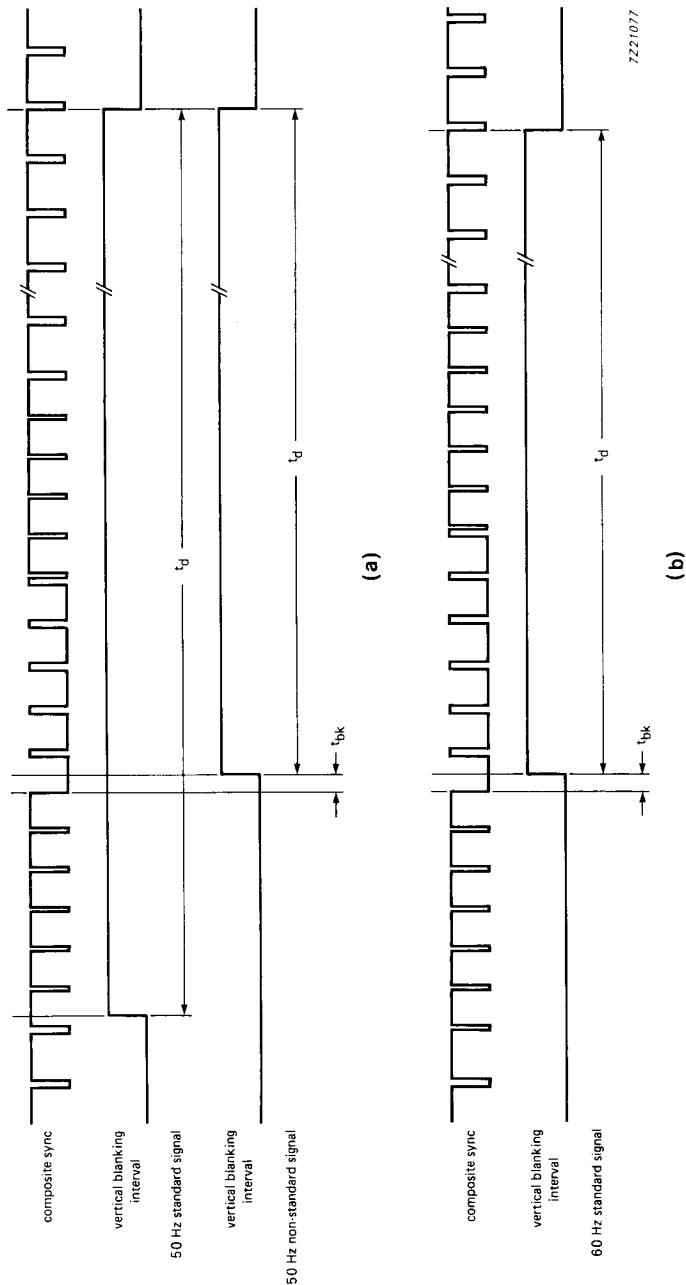
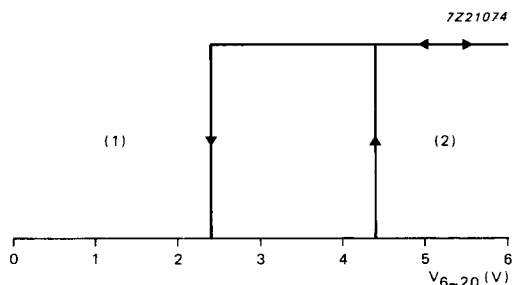


Fig. 4 Timing diagram; vertical blanking synchronization  
(a) 50 Hz standard (b) 60 Hz standard.



(1)  $\phi$  1 gating circuit off  
 $\phi$  1 discriminator to fast mode  
 clamping gate off  
 mute output HIGH  
 frame divider direct sync  
 horizontal sync separator self-aligned  
 noise detector not inhibited

(2)  $\phi$  1 gating circuit on  
 $\phi$  1 discriminator to slow mode  
 clamping gate on  
 mute output LOW  
 frame divider indirect sync  
 horizontal sync separator gated  
 noise detector inhibited

Fig. 5 Coincidence detector time constant switching levels.

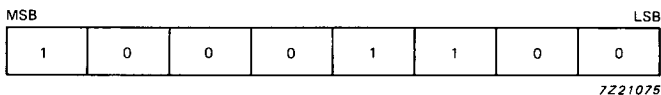


Fig. 6 Address byte.

Table 1 Data byte

	bit no.	logic level	description
MSB	D7	1	*
	D6	1	*
	D5	1	*
	D4	1	*
	D3	1	bit number D5 = don't care
	D3	0	bit numbers D6 and D7 = don't care
	D2	1	$\overline{\text{N.I.L.}}$ (inactive)
	D2	0	N.I.L. (active)
LSB	D1	1	$\overline{\text{VID}_{\text{EXT}}}$ (inactive)
	D1	0	VID <sub>EXT</sub> (active)
	D0	1	standard mode
	D0	0	non-standard mode

\* Bits D7 to D4 are used for measuring procedure in the IC factory. For application use they must be inactive (logic 1).



DEVELOPMENT DATA

APPLICATION INFORMATION

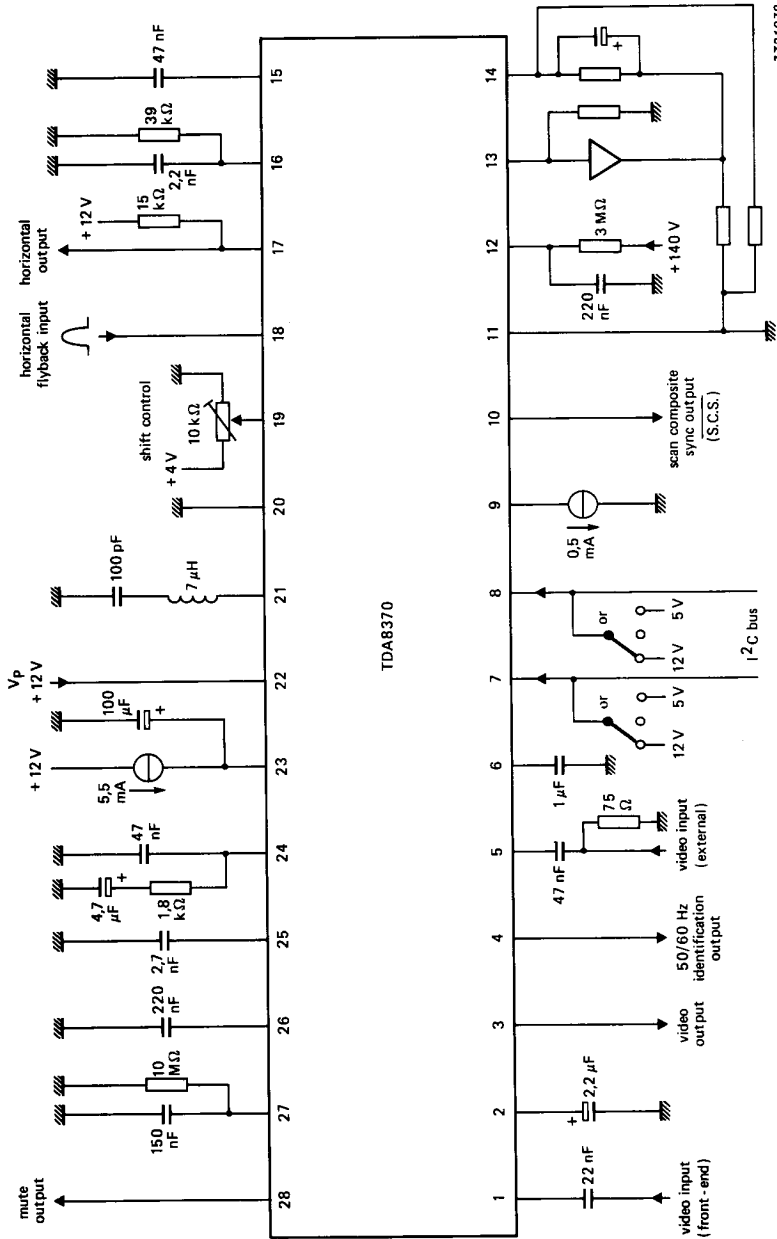


Fig. 7 Application diagram and test circuit.