

HI-FI F.M./I.F. AMPLIFIER

The TCA420A is a monolithic integrated f.m./i.f. amplifier for car and hi-fi equipment provided with the following functions:

- limiter amplifier
- symmetrical quadrature detector
- symmetrical a.f.c. output
- field-strength indication output
- stereo decoder switching voltage
- adjustable side response suppression
- muting

QUICK REFERENCE DATA

Supply voltage (pin 11)	V_p	typ.	15 V
Supply current (pin 11)	I_p	typ.	26 mA
Input limiting voltage (-3 dB); $f_o = 10,7$ MHz	$V_{i\ lim}$	typ.	20 μ V
A.F. output voltage (pin 5); $\Delta f = \pm 15$ kHz; r.m.s. value	$V_o(\text{rms})$	typ.	115 mV
Signal plus noise-to-noise ratio; $V_i > 1$ mV; $\Delta f = \pm 15$ kHz	S+N/N	typ.	72 dB
I.F. input voltage; $\Delta f = \pm 15$ kHz			
S + N/N = 26 dB	V_i	typ.	15 μ V
S + N/N = 46 dB	V_i	typ.	45 μ V
A.M. rejection; $V_i = 10$ mV; $f_m = 1$ kHz (f.m.); $\Delta f = \pm 15$ kHz	α	typ.	50 dB
Total distortion (single tuned circuit); $\Delta f = \pm 15$ kHz	d_{tot}	typ.	0,1 %
Centre shift of f.m. detector curve	$\Delta f = f_{o1} - f_{o2} $	typ.	7 kHz
Field-strength indication range	ΔV_i	typ.	70 dB
Supply voltage range (pin 11)	V_p		6 to 18 V
Ambient temperature range	T_{amb}		-30 to $+80$ °C

PACKAGE OUTLINE

16-lead DIL; plastic (SOT-38).

105
February 1980

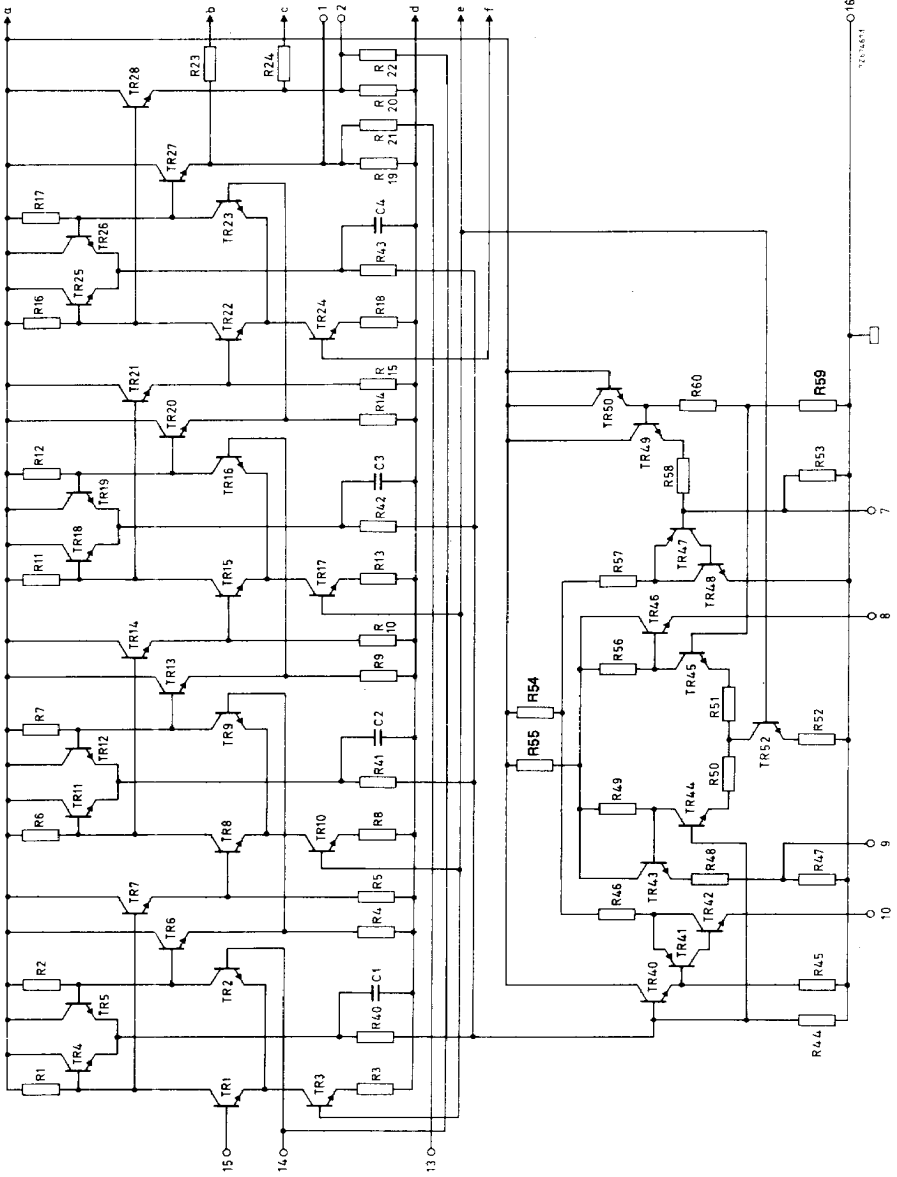


Fig. 1a Part of circuit diagram; other part continued in Fig. 1b.

106

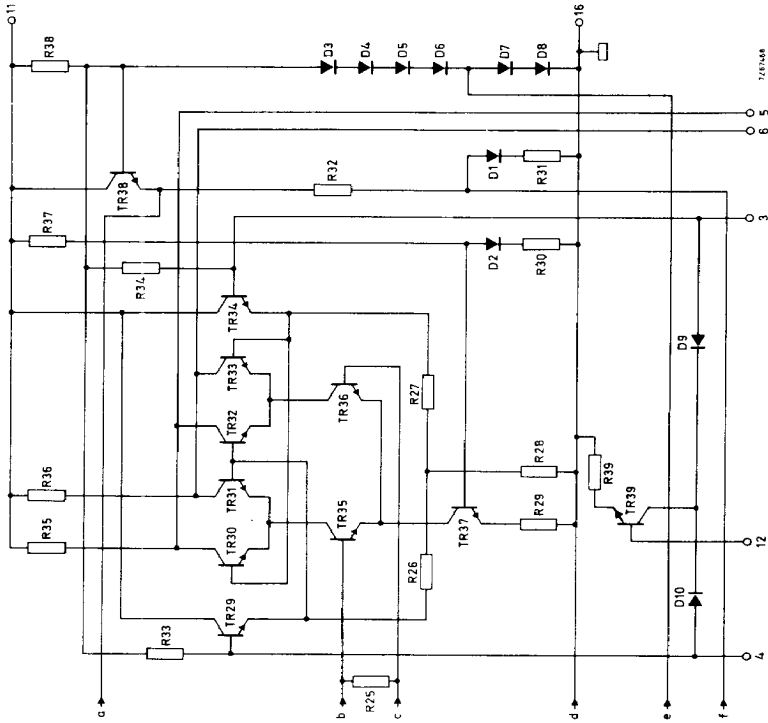


Fig. 1b Part of circuit diagram, continued from Fig. 1a.

(07

February 1980

RATINGS

Limiting values in accordance with the Absolute Maximum System (IEC 134)

Supply voltage (pin 11)	$V_P = V_{11-16}$ max.	18 V
Total power dissipation	P_{tot} max.	720 mW
Storage temperature	T_{stg}	-55 to +150 °C
Operating ambient temperature	T_{amb}	-30 to +80 °C

CHARACTERISTICS

$V_P = 8$ or 15 V; $T_{amb} = 25$ °C; $f_o = 10,7$ MHz; $\Delta f = \pm 15$ kHz; $f_m = 1$ kHz; $R_G = 30$ Ω ; with de-emphasis ($C_{5-6} = 10$ nF); adjustment conforms to adjustment procedure unless otherwise specified; the characteristics are valid for a TCA420A mounted on a printed-circuit board (see Figs 2, 3 and 4).

Supply voltage range (pin 11)

V_P	6 to 18 V
$V_P = 8$ V	$V_P = 15$ V

Supply current; $R_{7-16} = 5$ k Ω ; pin 11

I_P	typ. 21	26 mA
	< -	35 mA

I.F. amplifier/detector

Input voltages (d.c. value)

$V_{13-16}; V_{14-16}; V_{15-16}$	typ. 2,6	2,8 V
-----------------------------------	----------	-------

Input limiting voltage (-3 dB)

$V_{i\ lim}$	typ. 20	20 μ V
	< -	50 μ V

I.F. output voltage (peak-to-peak value)

$V_i = 5$ mV; $f = 1$ MHz; without detector circuit;
 $Z_{1-16} = Z_{2-16} = 10$ M Ω in parallel with 8 pF

$V_{1-16(p-p)}$	> 300	320 mV
$V_{2-16(p-p)}$	typ. 350	375 mV

Output voltages (d.c. value)

V_{5-16}	> 4,7	8,3 V
V_{6-16}	typ. 5,0	9,5 V
	< 5,3	11,0 V

Output voltage difference (d.c. value)

$V_i = 1$ mV; $\Delta f = \pm 75$ kHz

$\pm V_{5-6}$	< 180	350 mV
---------------	-------	--------

A.F. output voltage; $V_i = 1$ mV (pins 5 and 6)

$\Delta f = \pm 15$ kHz

V_o	> -	95 mV
	typ. 60	115 mV

$\Delta f = \pm 40$ kHz

V_o	typ. 160	307 mV
-------	----------	--------

$\Delta f = \pm 75$ kHz

V_o	typ. 300	575 mV
-------	----------	--------

Total distortion; $V_i = 1$ mV; single tuned circuit; $Q_L = 20$

with de-emphasis; $C_{5-6} = 10$ nF

$\Delta f = \pm 15$ kHz

d_{tot}	< 0,1	0,1 %
-----------	-------	-------

$\Delta f = \pm 40$ kHz

d_{tot}	typ. 0,18	0,18 %
-----------	-----------	--------

$\Delta f = \pm 75$ kHz

d_{tot}	typ. 0,45	0,45 %
-----------	-----------	--------

without de-emphasis; $C_{5-6} = 220$ pF

$\Delta f = \pm 15$ kHz

d_{tot}	< 0,1	0,1 %
-----------	-------	-------

$\Delta f = \pm 40$ kHz

d_{tot}	typ. 0,22	0,22 %
-----------	-----------	--------

$\Delta f = \pm 75$ kHz

d_{tot}	typ. 0,65	0,65 %
	< 1	1 %

		$V_p = 8\text{ V}$	$V_p = 15\text{ V}$
I.F. input voltage; with filter: B = 250 Hz to 16 kHz			
S+N/N = 26 dB; with de-emphasis; $C_{5,6} = 10\text{ nF}$			
$\Delta f = \pm 15\text{ kHz}$	V_i	typ. 15	15 μV
$\Delta f = \pm 75\text{ kHz}$	V_i	typ. 5	5 μV
S+N/N = 26 dB; without de-emphasis; $C_{5,6} = 220\text{ pF}$			
$\Delta f = \pm 15\text{ kHz}$	V_i	typ. 20	20 μV
$\Delta f = \pm 75\text{ kHz}$	V_i	typ. 8	8 μV
S+N/N = 46 dB; with de-emphasis; $C_{5,6} = 10\text{ nF}$			
$\Delta f = \pm 15\text{ kHz}$	V_i	typ. 45	45 μV
$\Delta f = \pm 75\text{ kHz}$	V_i	typ. 20	20 μV
S+N/N = 46 dB; without de-emphasis; $C_{5,6} = 220\text{ pF}$			
$\Delta f = \pm 15\text{ kHz}$	V_i	typ. 65	65 μV
$\Delta f = \pm 75\text{ kHz}$	V_i	typ. 30	30 μV
Signal plus noise-to-noise ratio; with filter:			
B = 250 Hz to 16 kHz; $V_i = 1\text{ mV}$			
with de-emphasis			
$\Delta f = \pm 15\text{ kHz}$	S+N/N	typ. 74	76 dB
$\Delta f = \pm 75\text{ kHz}$	S+N/N	typ. 88	90 dB
without de-emphasis			
$\Delta f = \pm 15\text{ kHz}$	S+N/N	typ. 68	70 dB
$\Delta f = \pm 75\text{ kHz}$	S+N/N	typ. 82	84 dB
Noise output voltage; weighted conform DIN45405			
with de-emphasis			
$V_i = 0$	V_{no}	typ. 7	12 mV
$V_i = 1\text{ mV}$	V_{no}	typ. 30	50 μV
A.M. rejection; with filter: B = 700 Hz to 5 kHz			
$f_m = 70\text{ Hz}; \Delta f = \pm 15\text{ kHz}$ (for f.m.);			
$f_m = 1\text{ kHz}; m = 0,3$ (for a.m.); simultaneously modulated			
$V_i = 0,3\text{ mV}$	α	typ. 52	52 dB
$V_i = 1\text{ mV}$	α	typ. 40	40 dB
$V_i = 10\text{ mV}$	α	typ. 52	52 dB
$V_i = 100\text{ mV}$	α	typ. 43	43 dB
Zero crossing shift of f.m. detector curve (see note)			
$f_m = 70\text{ Hz}; \Delta f = \pm 75\text{ kHz}$ (for f.m.);			
$f_m = 1\text{ kHz}; m = 85\%$ (for a.m.)			
	$\Delta f = f_{o1} - f_{o2} $	typ. 4	7 kHz
		< 9	15 kHz
Detector input impedance	Z _{3,4}	4,4 k Ω /2,25 pF	
Output resistance	R ₅₋₁₁ ; R ₆₋₁₁	typ. 3,3	3,3 k Ω

Note

Zero crossing shift is defined as the difference between frequencies f_{o1} at $V_i = 1\text{ mV}$ and f_{o2} at $V_i = 30\text{ }\mu\text{V}$.

CHARACTERISTICS (continued)

Side response suppression

Input voltage for 10 dB side response suppression at
 S1 = 'on' adjust R1, so $V_{10-16} = 1,3 \text{ V}$ at $V_i = 0$;
 S1 = 'off'; $R_4 = 3,9 \text{ k}\Omega$

	$V_p = 8 \text{ V}$	$V_p = 15 \text{ V}$
$V_{i(\text{rms})}$ typ.	35	30 μV

Side response suppression level

$\Delta f = \pm 15 \text{ kHz}$; $V_{i(\text{rms})} = 1 \text{ mV}$
 control voltage for $\Delta V_o = -1 \text{ dB}$
 control voltage for $\Delta V_o = -10 \text{ dB}$

V_{12-16} typ.	0,7	0,7 V
V_{12-16} typ.	1,1	1,1 V

Muting

Output signal muting at S2 = 'on';
 reference signal at S2 = 'off';
 $V_{i(\text{rms})} = 1 \text{ mV}$; $\Delta f = \pm 75 \text{ kHz}$; $R_4 = 3,9 \text{ k}\Omega$

ΔV_o typ.	-80	-80 dB
-------------------	-----	--------

Field-strength indication

Output voltages (d.c. value)
 $V_i = 0$; $I_{8-9} = 0$; $R_{8-16} = 4,3 \text{ k}\Omega$

V_{9-16} typ.	1,75	1,85 V
V_{8-16} typ.	1,90	2,00 V

Field-strength indicator current

$R_{\text{indicator}} = 2 \text{ k}\Omega$;
 adjust R2 so $I_{8-9} = 0$ at $V_i = 0$ and $R_3 = 0$
 measured at $V_{i(\text{rms})} = 120 \text{ mV}$

I_{8-9}	>	130	140 μA
typ.		190	210 μA

Output resistance

R_o typ.	810	850 Ω
R_{9-16} typ.	3,7	3,7 $\text{k}\Omega$

Stereo decoder switching voltage

Reference voltage; without load: $I_7 = 0$

V_{7-16} typ.	2,05	2,25 V
-----------------	------	--------

Output voltage; $I_{10} = I_{10\text{max}}$

V_{10-16} typ.	1,70	1,90 V
------------------	------	--------

Available output current

-10 max typ.	0,45	0,85 mA
--------------	------	---------

Output voltage as a function of the
 i.f. input voltage

$R_{10-16} = 3,9 \text{ k}\Omega$; $R_1 = 5 \text{ k}\Omega$

$\frac{\Delta V_{10-16}}{20 \log \frac{V_{i1}}{V_{i2}}}$ typ.	-0,9	-1,2 V/20 dB
---	------	--------------

Input voltage for $V_{10-16} = 0,8 \text{ V}$
 adjust R1 so $V_{10-16} = 1,3 \text{ V}$ at $V_{i(\text{rms})} = 0$

$V_{i(\text{rms})}$ typ.	98	100 μV
<	150	200 μV

Input voltage for $V_{10-16} = 1,3 \text{ V}$
 adjust R1 so $V_{10-16} = 0,8 \text{ V}$ at $V_{i(\text{rms})} = 3 \text{ mV}$

$V_{i(\text{rms})}$ typ.	1,3	0,5 mV
<	-	1,3 mV
<	-	1,75 mV

Input resistance (pin 7)

R_{7-16} typ.	4	4,7 $\text{k}\Omega$
-----------------	---	----------------------

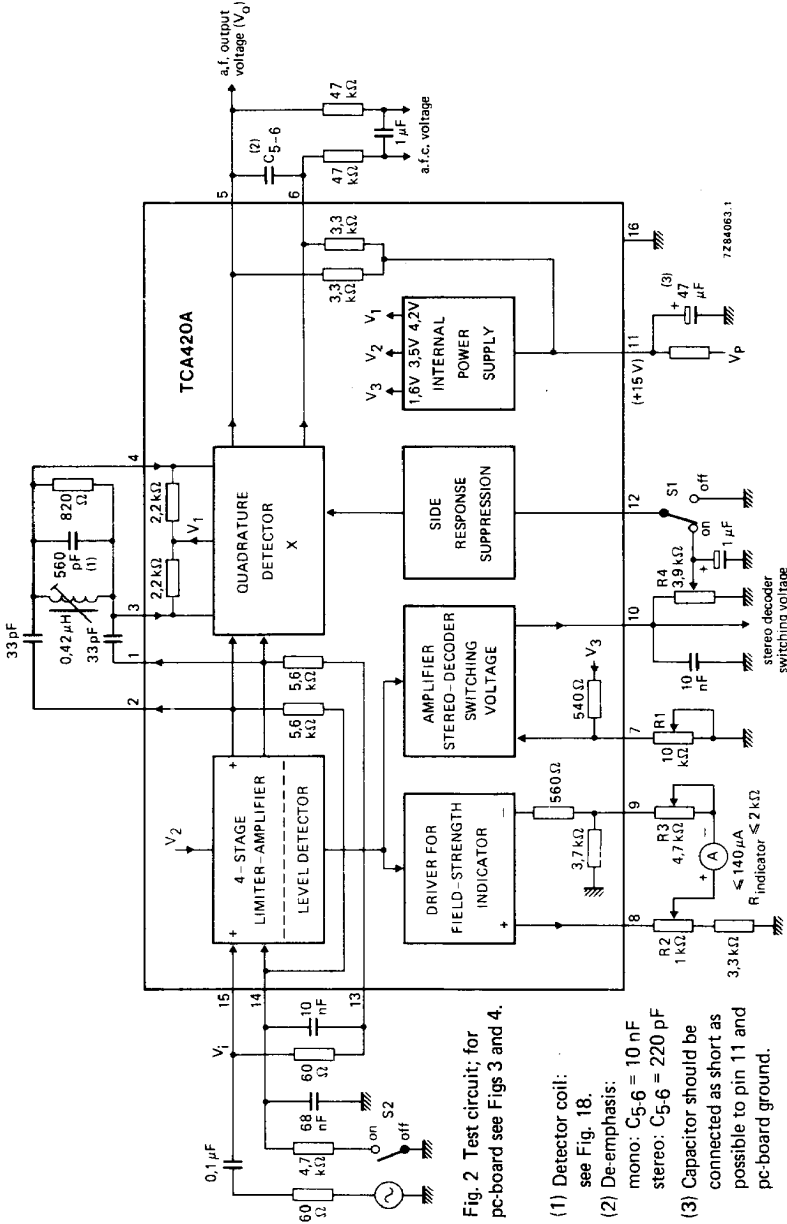
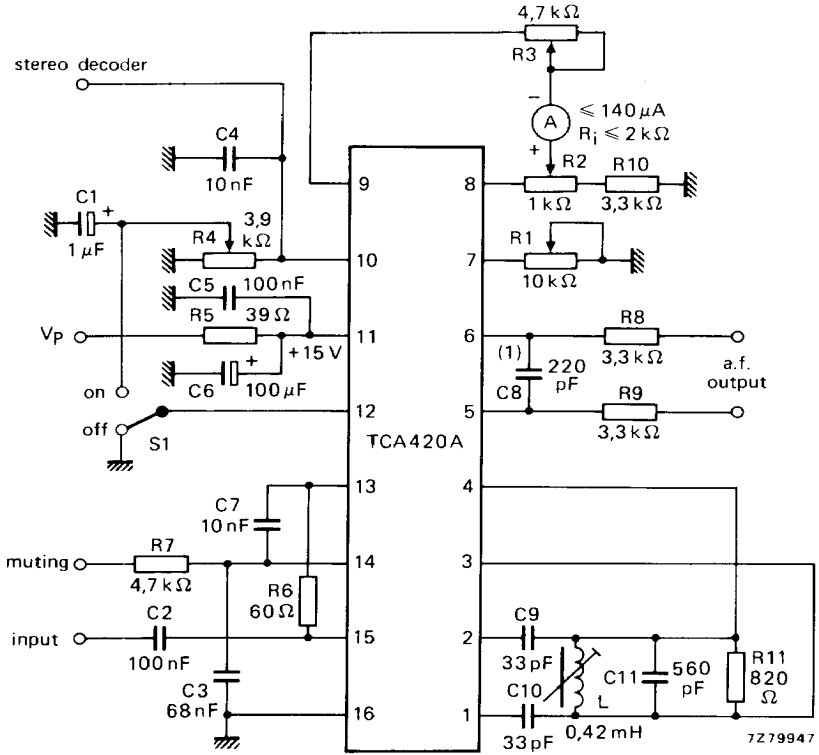


Fig. 2 Test circuit; for pc-board see Figs 3 and 4.

- (1) Detector coil: see Fig. 18.
- (2) De-emphasis: mono: C5-6 = 10 nF stereo: C5-6 = 220 pF
- (3) Capacitor should be connected as short as possible to pin 11 and pc-board ground.

R1 = preset potentiometer for adjusting output voltage V10-16 for mono/stereo switching of stereo decoder. S1 = side response suppression switch.
 R2 = preset potentiometer for adjusting the zero level of the field-strength indicator current.
 R3 = preset potentiometer for adjusting the maximum level of the field-strength indicator current.
 R4 = preset potentiometer for adjusting the side response suppression.



- (1) C₈ = C₅₋₆ (see Fig. 2).
- For mono: C₈ = 10 nF.
- For stereo: C₈ = 220 pF.

Fig. 3 Circuit diagram showing components arrangement for printed-circuit board (Fig. 4). The circuit is similar to the test circuit of Fig. 2.

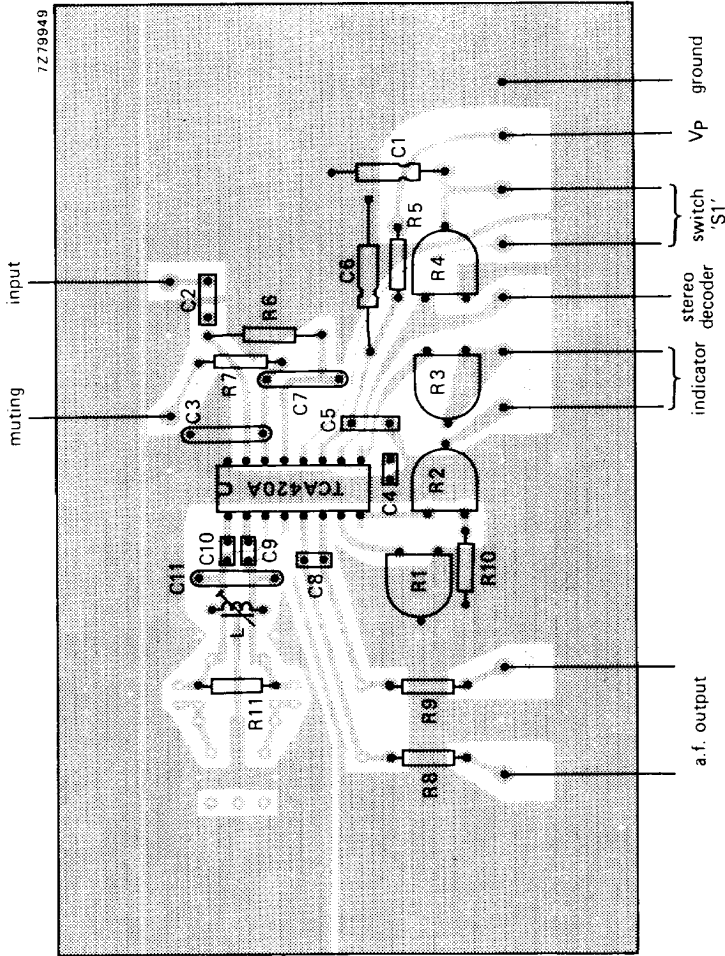


Fig. 4 Printed-circuit board component side, showing component layout. For circuit diagram see Fig. 3.

7Z84064

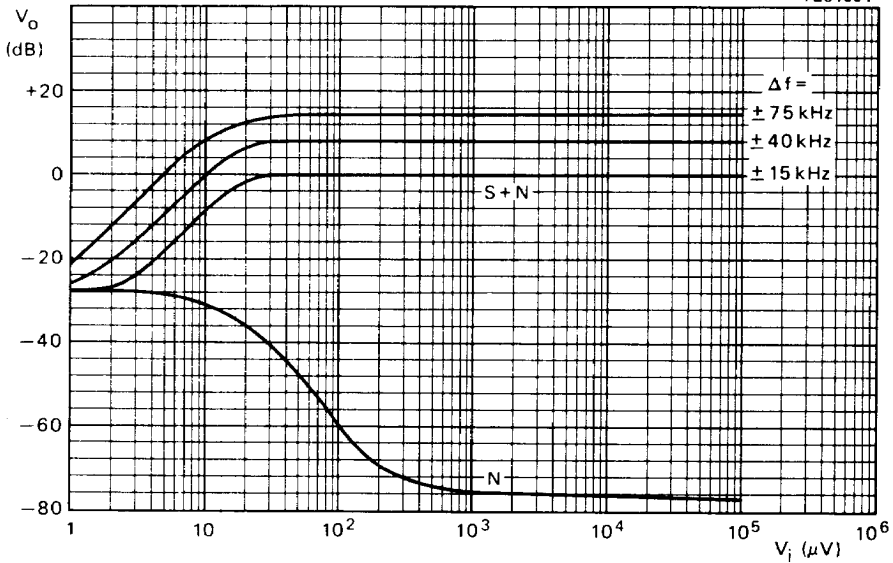


Fig. 5 $V_p = 15$ V; $f_m = 1$ kHz; $B = 250$ Hz to 16 kHz; typical values.

7Z84065

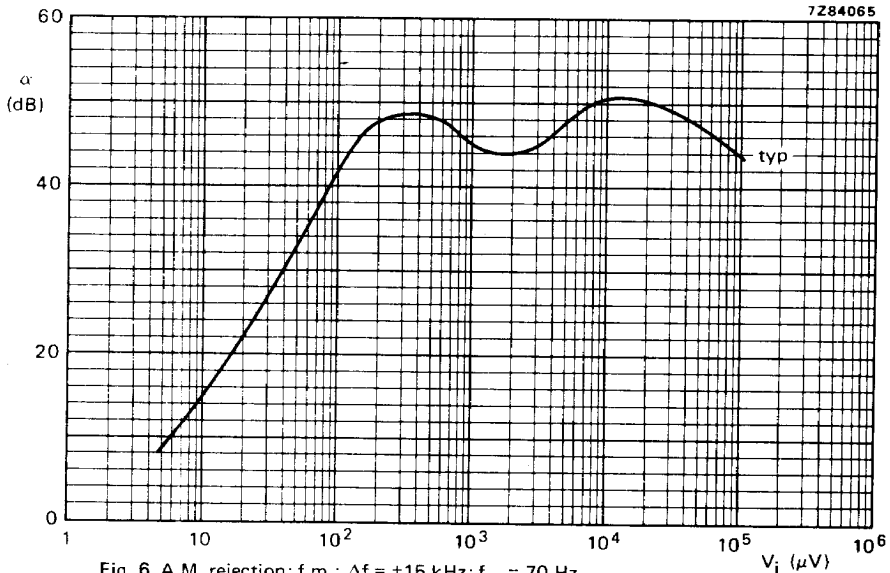


Fig. 6 A.M. rejection; f.m.: $\Delta f = \pm 15$ kHz; $f_m = 70$ Hz.
a.m.: $m = 30\%$; $f_m = 1$ kHz; simultaneously modulated.

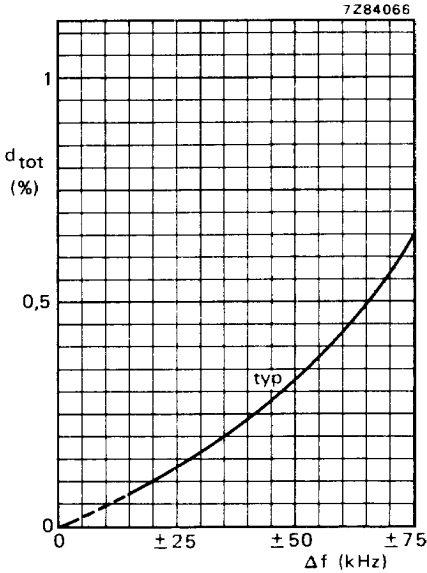


Fig. 7 Total distortion as a function of frequency deviation; single tuned circuit with $Q_L = 20$; $f_m = 1$ kHz; $C_{5-6} = 220$ pF.

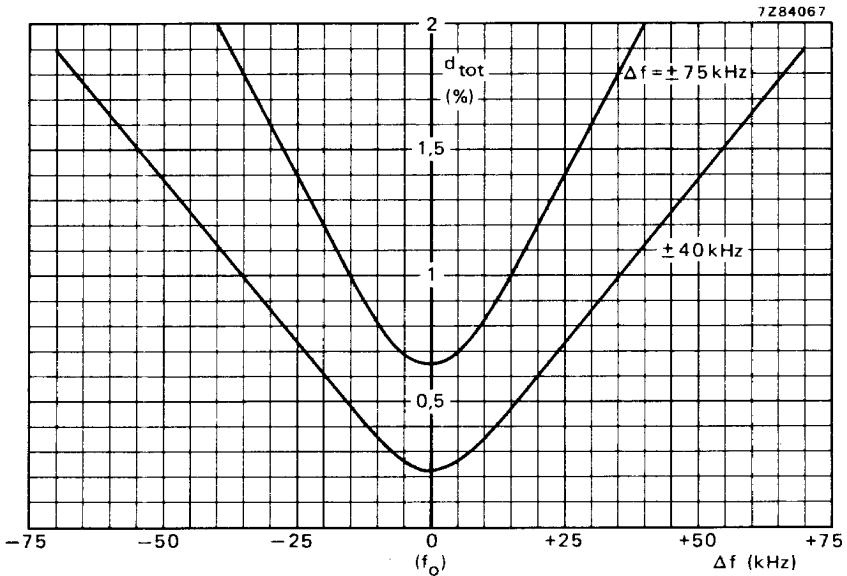


Fig. 8 Total distortion as a function of detuning; single tuned circuit with $Q_L = 20$; $f_m = 1$ kHz; $C_{5-6} = 220$ pF.

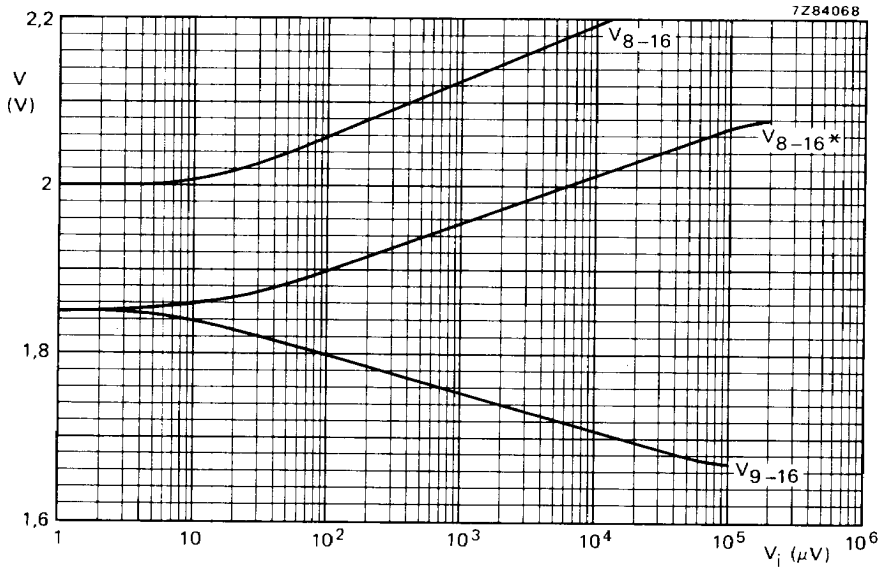


Fig. 9 Field-strength indication output voltages as a function of i.f. input voltage; R2 adjusted so $V_{8.9} = 0$ at $V_i = 0$; $R_{indicator} + R_2 = 2 \text{ k}\Omega$; for V_{8-16}^* definition see Fig. 11.

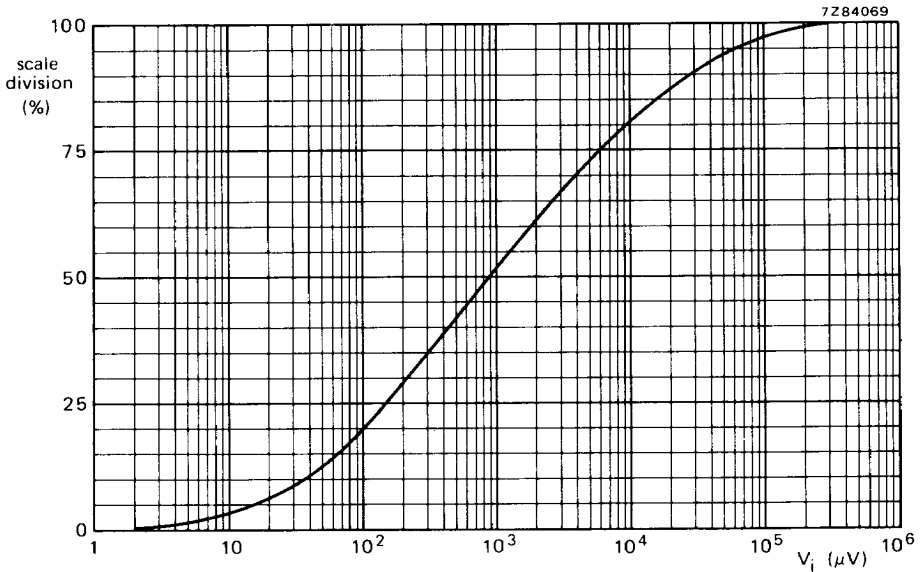


Fig. 9 Scale division of indicator as a function of i.f. input voltage; R2 adjusted so $V_{g.g} = 0$ at $V_i = 0$; $R_{\text{indicator}} = 2 \text{ k}\Omega$; R3 adjusted at indication 100%; indicator current = $140 \mu\text{A}$; see Fig. 11.

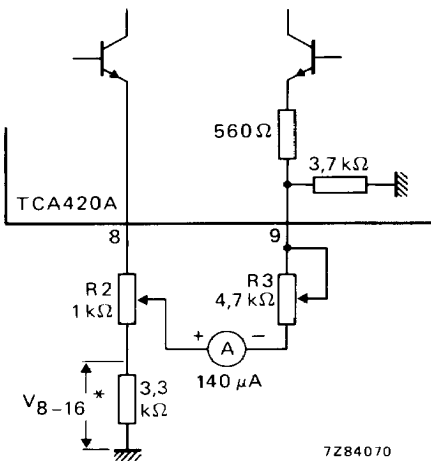


Fig. 11 Circuit diagram showing field-strength indicator adjustment components.

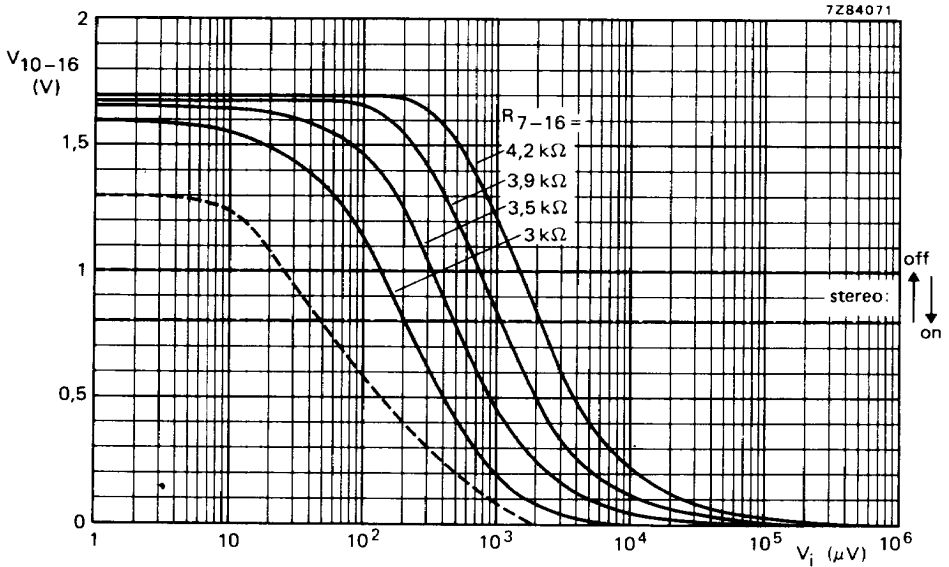


Fig. 12 Stereo decoder switching voltage as a function of i.f. input voltage; $R_4 = 3,9 \text{ k}\Omega$; ----- R_1 adjusted so $V_{10-16} = 0$ at $V_i = 0$; see Fig. 13.

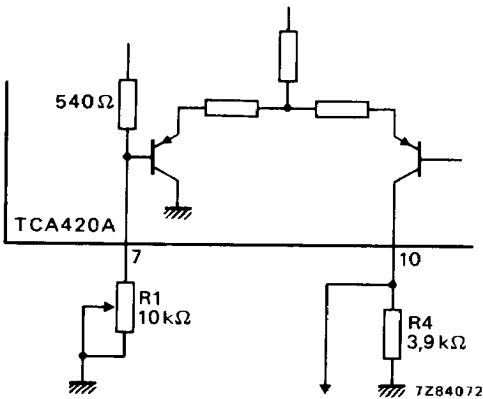


Fig. 13 Circuit diagram showing stereo decoder switching voltage adjustment.

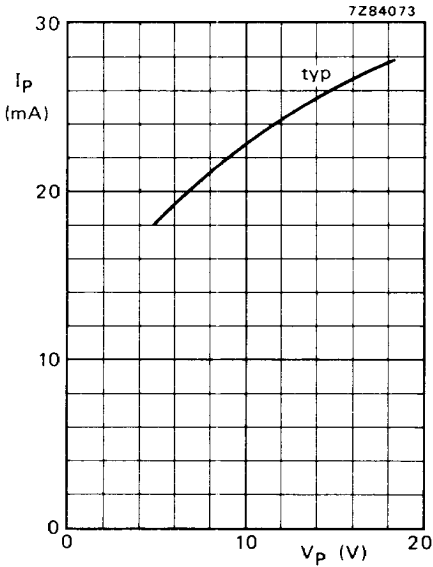


Fig. 14 Supply current consumption.

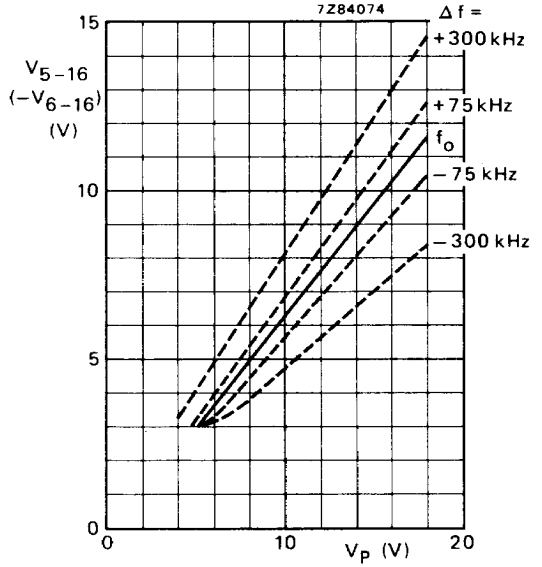


Fig. 15 Output voltage range.

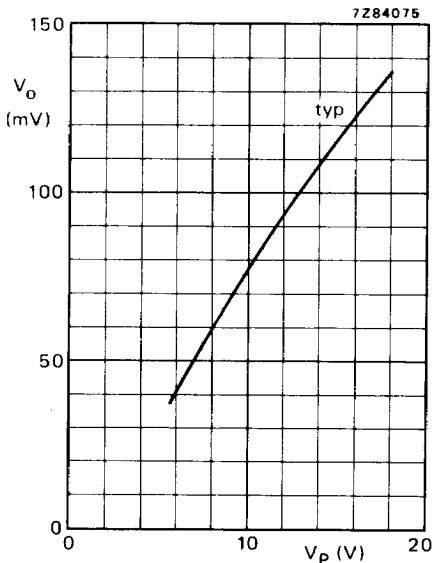


Fig. 16 A.F. output voltage; $\Delta f = \pm 15$ kHz; $f_m = 1$ kHz; $V_i = 1$ mV.

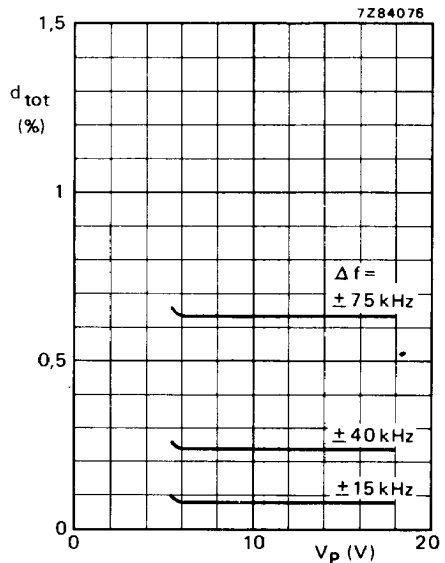


Fig. 17 Total distortion; $f_m = 1$ kHz; $V_i = 1$ mV; $C_{5-6} = 220$ pF.

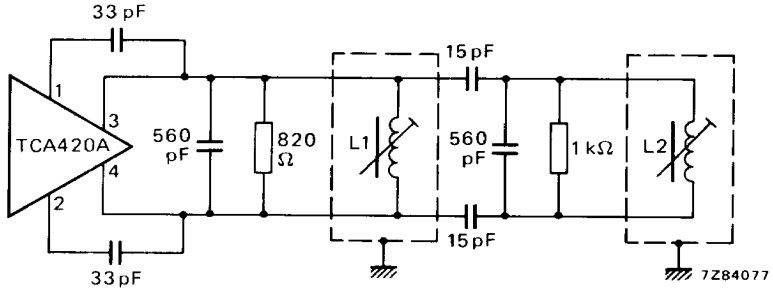


Fig. 18 Example of the TCA420A when using a detector with two tuned circuits; $f_0 = 10,7 \text{ MHz}$; $L1 = L2 \approx 0,4 \mu\text{H}$; $Q_0 = 70$.

Adjustment of the detector:

When having an i.f. input signal on top of the limiter capability, L2 should be detuned, L1 should be adjusted to minimum distortion, and then L2 to minimum distortion.

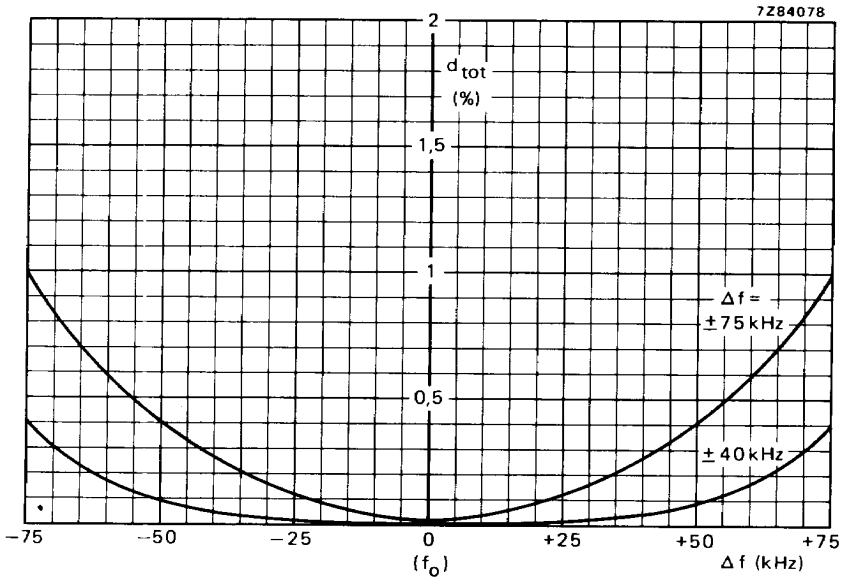


Fig. 19 Total distortion as a function of detuning; circuit as Fig. 18; $f_m = 1 \text{ kHz}$; $C_{5-6} = 220 \text{ pF}$. $V_0 = 500 \text{ mV}$ for a frequency deviation $\Delta f = \pm 75 \text{ kHz}$ and $d_{tot} < 0,1\%$.

APPLICATION INFORMATION

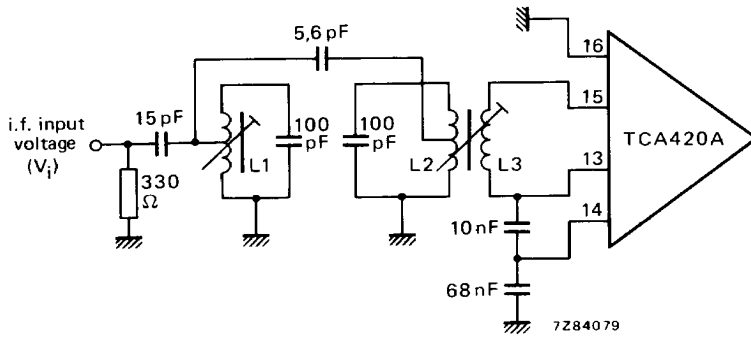


Fig. 20 I.F. coupling circuit, using LC filter; L1 = L2 = 7 + 7 turns h.f. litz wire (5 x 0,04); L3 = 3 turns h.f. litz wire wound on L2 (5 x 0,04).

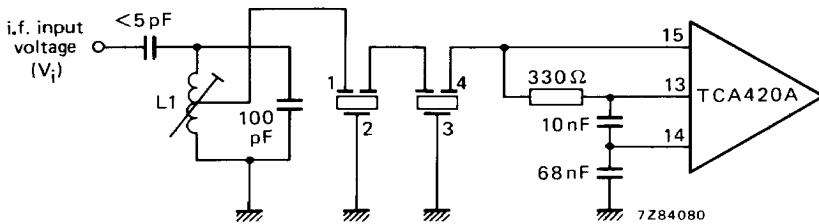


Fig. 21 I.F. coupling circuit, using ceramic filter; L1 = 14 turns h.f. litz wire (5 x 0,04), tab at 3 turns.

