

Signetics

Linear Integrated Circuits

TAA320A M.O.S.T. Level Sensor

GENERAL DESCRIPTION

The TAA320A is a silicon monolithic integrated circuit, consisting of a p-channel enhancement type MOS transistor and an n-p-n transistor, in a TO-18 metal envelope. The device is intended for level sensors, with a very high input resistance (e.g. timing circuits, thermostats, liquid level sensors, flame control circuits).

QUICK REFERENCE DATA

Drain-source voltage ($V_{GS} = 0$)	$-V_{DSS}$	max.	20V
Drain current	$-I_D$	max.	60 mA
Gate-source voltage 1)			
$-I_D = 10\text{mA}$,		typ.	10.6 V
$-V_{DS} = 10\text{V}$	group 1: $-V_{GS}$	10.0 to 11.2 V	
	group 2:	typ. 11.3 V	
		10.7 to 11.9 V	
	group 3: $-V_{GS}$	typ. 12.0 V	
		11.4 to 12.6 V	
	group 4: $-V_{GS}$	typ. 12.7 V	
		12.1 to 13.3 V	

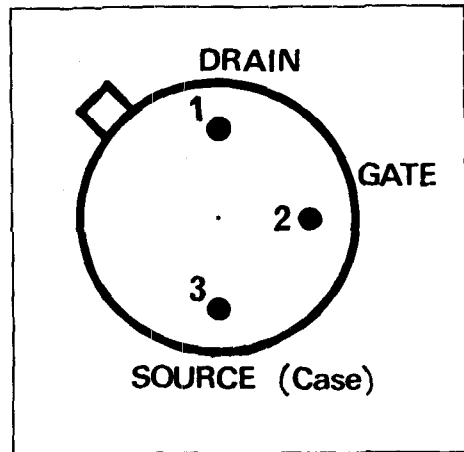
Gate cut-off current at

$T_{amb} = 25^\circ\text{C}$			
$=V_{GS} = 20\text{V}; I_D = 0$	I_{GaO}	typ.	1 pA
$=V_{GS} = -20\text{V}; V_{DS} = 0$	$-I_{GSS}$	typ.	1 pA

REFERENCE TABLE

Type No.	Stock No.	Outline Drawing No.
TAA320A	53537A	23

CONNECTION DIAGRAM



OM802 Relaxation Oscillator

GENERAL DESCRIPTION

Primarily intended as a low frequency relaxation oscillator. The output stage has a surge current capability suitable for driving an incandescent lamp. Due to the high sensitivity of the R-C timing circuit, long period oscillation is possible with modest capacitance values.

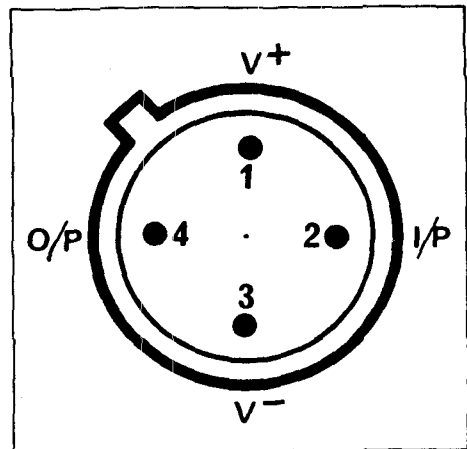
QUICK REFERENCE DATA

Supply voltage	max.	12	V
	min.	3	V
Output current	max. d.c.	100	mA
	max. surge	600	mA
Input trigger current	typ.	10	nA

REFERENCE TABLE

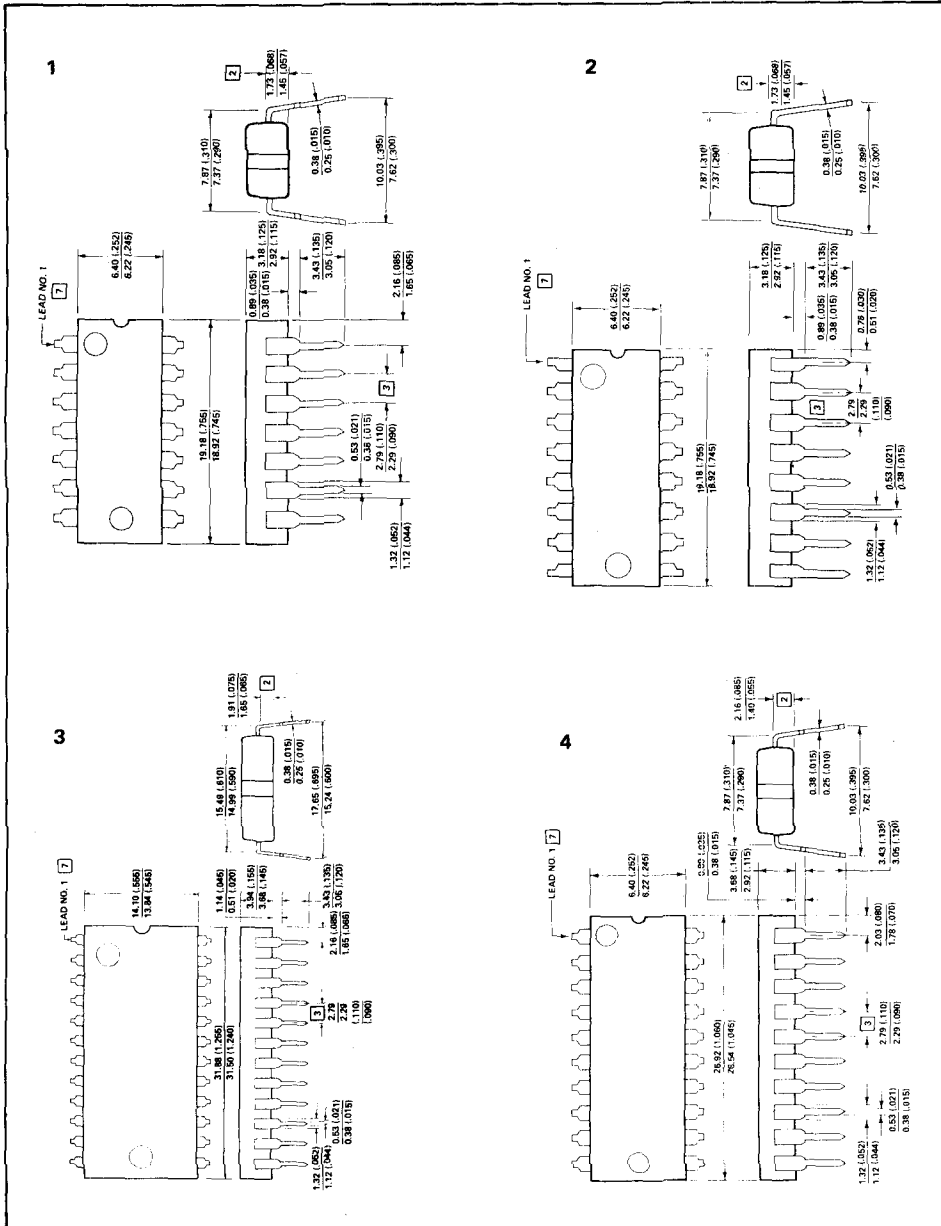
Type No.	Stock No.	Outline Drawing No.
OM802	53502A	12

CONNECTION DIAGRAM



TTT GEMINI

FOR CURRENT PRICES PHONE
HARLOW (0279) 29644

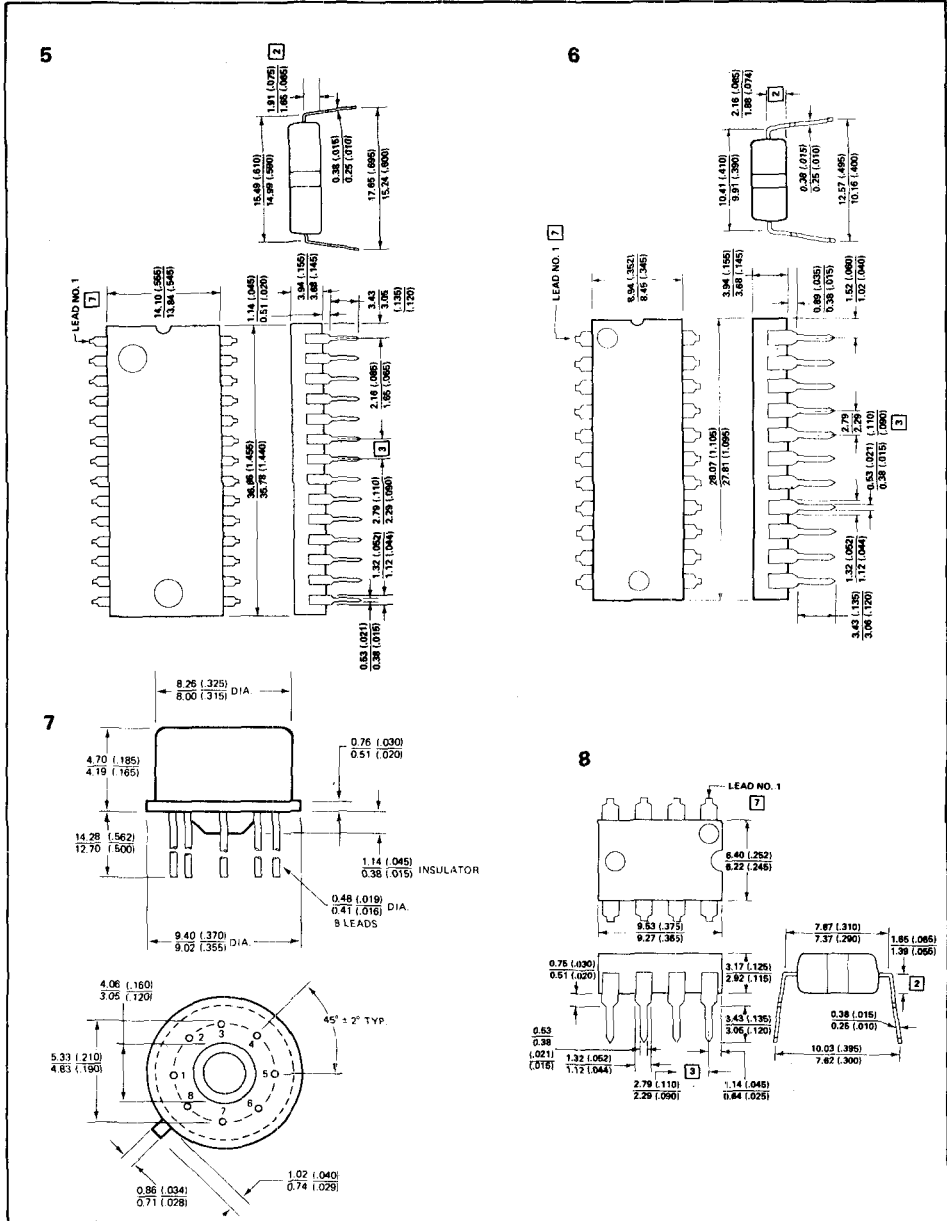


PLEASE QUOTE STOCK NO.
AND MANUFACTURERS PART NO. WHEN ORDERING



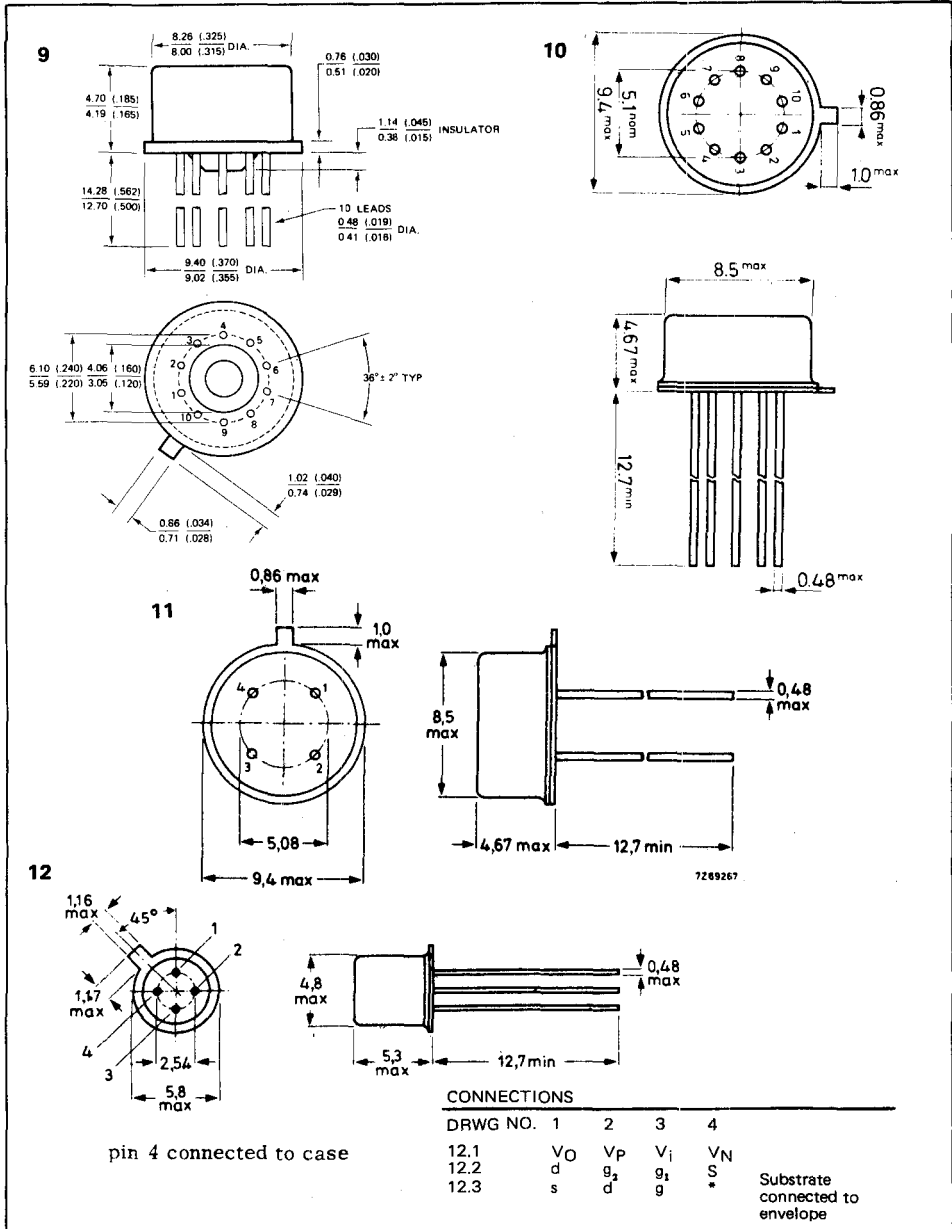
Signetics

Outline Drawings



GEMINI

FOR CURRENT PRICES PHONE
HARLOW (0279) 29644

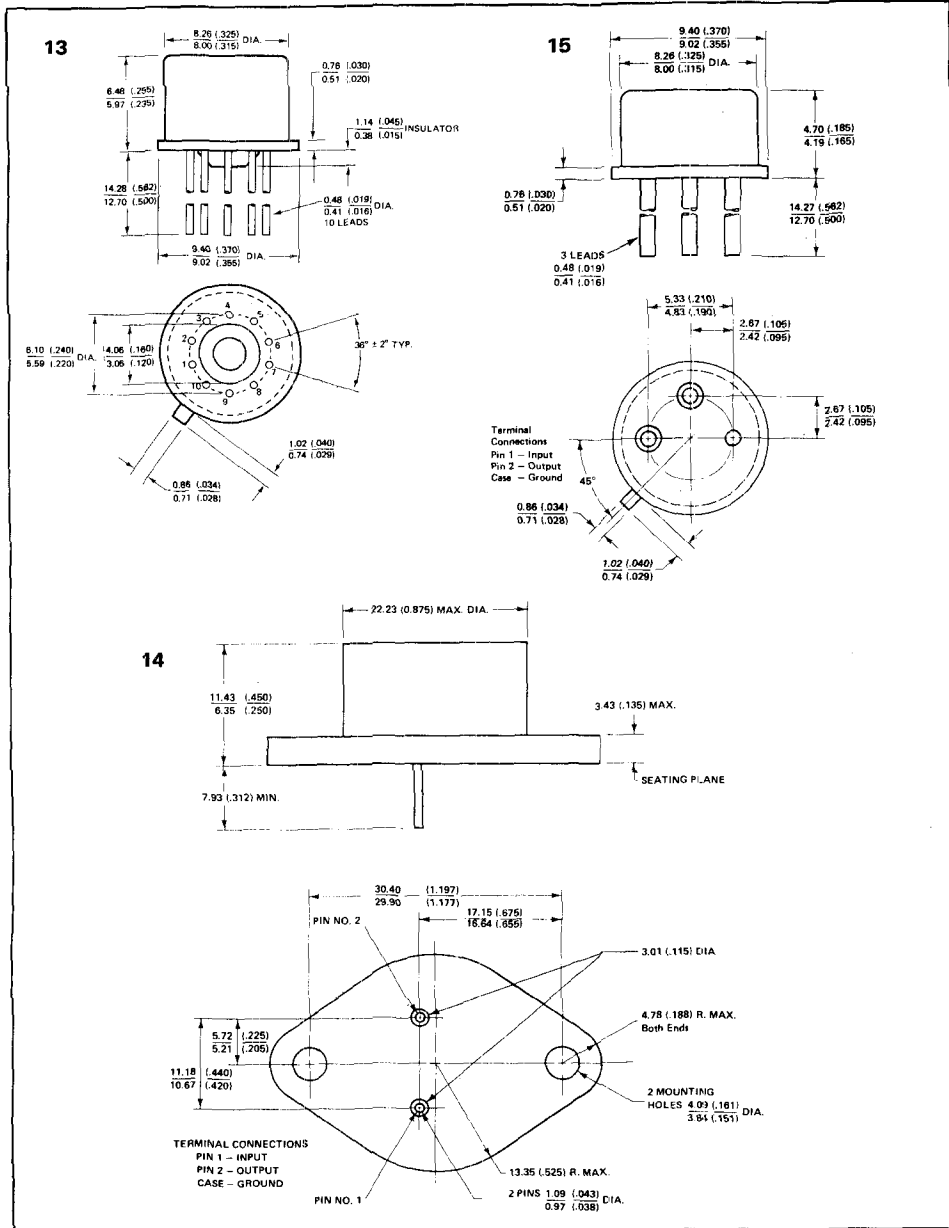


PLEASE QUOTE STOCK NO.
AND MANUFACTURERS PART NO. WHEN ORDERING

ITT GEMINI

Signetics

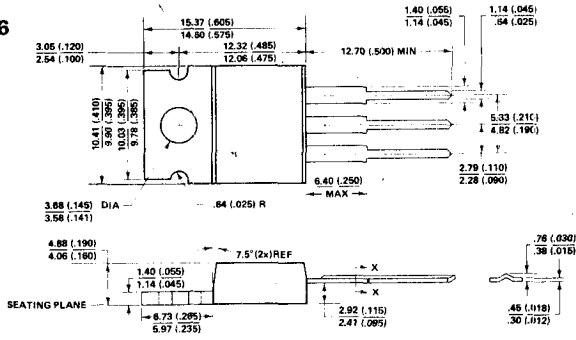
Outline Drawings



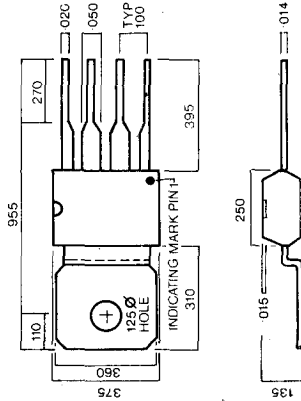
ITT GEMINI

FOR CURRENT PRICES PHONE
HARLOW (0279) 29644

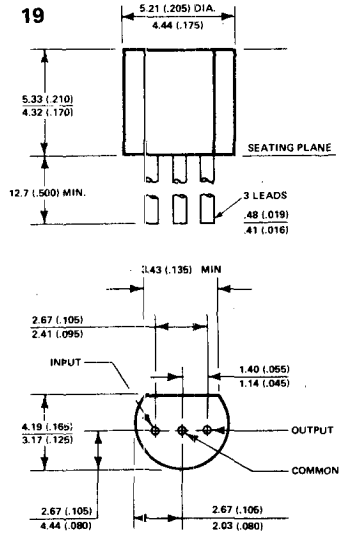
16



17



19



PLEASE QUOTE STOCK NO.
AND MANUFACTURER'S PART NO. WHEN ORDERING

ITT GEMINI

