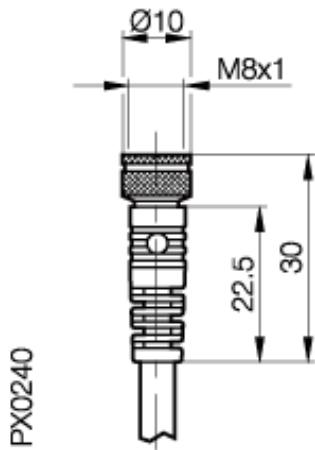


Accessories: Connectors BKS-S 74-3-PU-



Common Data

Version	Connector, straight, 4-pin
Usable with	on Sensors with connection S75(DC,
M8)	
Manufacturer	Lumberg
Ambient temperature	-25°C...+90°C°C
Function display	no
Supply voltage display	no

Mechanical Data

Measurements WxHxD or Dia x D	30x110mm
Material	Housing PUR
Protection class per IEC 60529	67IP
Cable version	fully potted, LifY-Y-11Y-0
Conductor cross section	4 x 0,25mm ² mm ²

Electrical Data

Supply voltage	60VAC/75VDCV
----------------	--------------



Datasheet number::

Definitions see general catalog.
If not otherwise noted, ratings according to
IEC 60947-5-2 (DIN EN60947-5-2)

Balluff GmbH
P.O.Box 1160
73761 Neuhausen Germany
Phone (07158) 173-0 Fax (07158) 5010