

6

5

4

3

2

1

**MATERIAL AND FINISH:**

Insulator: Polycarbonate, UL-94V-0 rated  
Contacts: IEC C14, 70°C: Brass, Nickel plated  
IEC C16, 120°C: Bronze, Nickel plated

**ELECTRICAL SPECIFICATIONS:**

Current rating: 10 A  
Voltage rating: 250 VAC

**ORDERING CODE:**

42R04- $\frac{3}{1}$   $\frac{1}{2}$

**1) ELECTRICAL CIRCUIT CONFIGURATION**

1 = IEC C14, 10A 250V 70°C  
2+GROUND

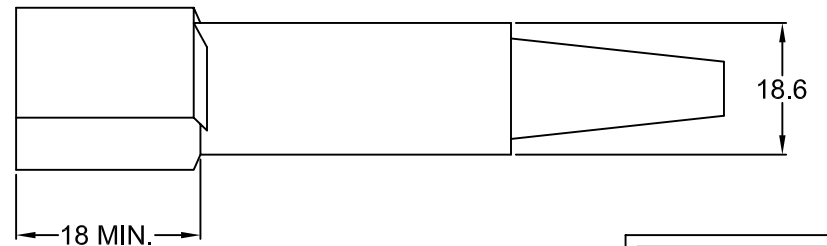
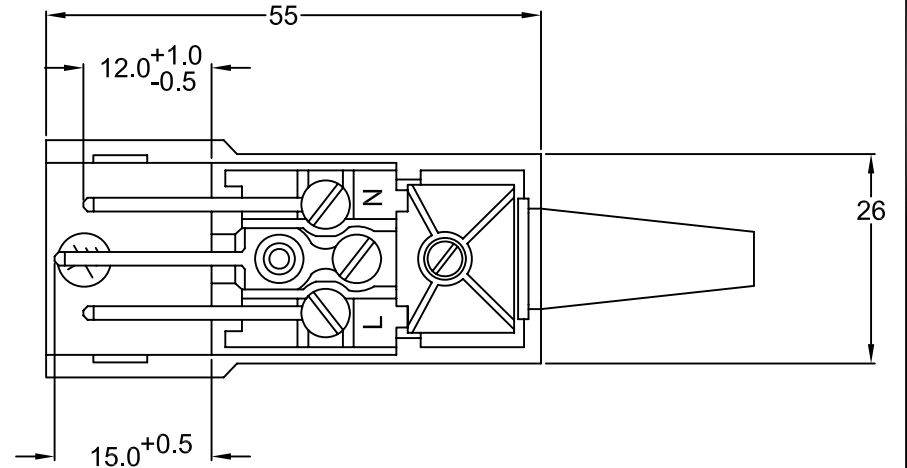
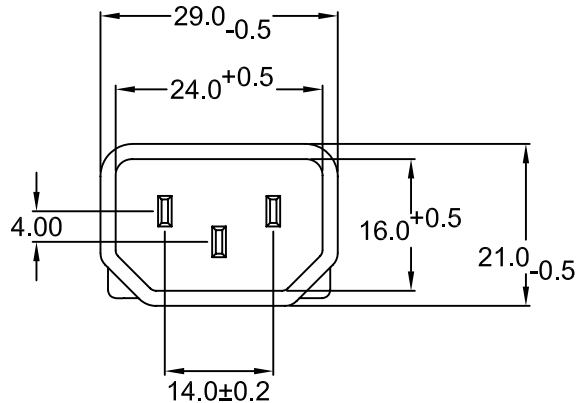


2 = IEC C16, 10A 250V 120°C  
2+GROUND



**2) COLOR**

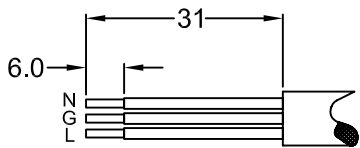
1 = BLACK  
2 = GRAY



RoHS  
COMPLIANT

**NOTES:**

- 1. Contains integral cable clamp strain relief & internal screw type connections. Maximum wire gauge is 16AWG stranded.
- 2. Recommended screw torque: 1.2Nm
- 3. Recommended strip length for jacket and conductors:



REV	DATE	CHANGE	CHNG		CHK		APPR	
					PB	DF	PB	
			NOTES 2 & 3: RoHS		PB			
			29.0-0.5 WAS 28.2 +0.3		PB			
A	1/25/07							
B	11/1/008							

TOLERANCE UNLESS OTHERWISE SPECIFIED	
X	± 1
X.X	± 0.4
X.XX	± 0.20
DRAWN BY	GQ
DATE:	08/17/01
CHECK BY	TD
DATE:	08/20/01
APPR BY	PB
DATE:	08/21/01

**Power Dynamics, Inc.**

Phone: 973 560-0019 Whippany, New Jersey Fax: 973 560-0076

PART: IEC 60320 C14 & C16 MALE POWER CORD  
PLUG; STRAIGHT CONNECTION

42R04-X3X1

PART #:	42R04-X3X1	SHEET	1 of 1
SIZE:	A	ALL DIMENSIONS FOR REFERENCE ONLY	REV: D
SCALE:	NTS	DIMENSIONS ARE IN MILLIMETERS	

6

5

4

3

2

1