

## IEC Appliance Connector C14 with Fuseholder 2-pole

Plug removal necessary for fuse replacement



C14



70° C

C18



70° C



### Description

- Panel Mount:  
Screw-on from front side
- 2 Functions:  
Inlet protection class I or II, Fuseholder for fuse-links 5 x 20 mm, 1- or 2-pole
- Quick connect terminals 4.8 x 0.8 mm
- We recommend for new applications type 4707

### Characteristics

- All single elements are already wired
- With slotted screw type fuseholder  
Fuse drawer meets requirements of medical standard IEC/EN 60601-1  
The fuse drawer can only be opened with the aid of a tool  
The fuseholder is accessible from the equipment front
- Qualified for use in equipment according IEC/EN 60950

### Weblinks

 Approvals: <http://www.schurter.com/approvals>

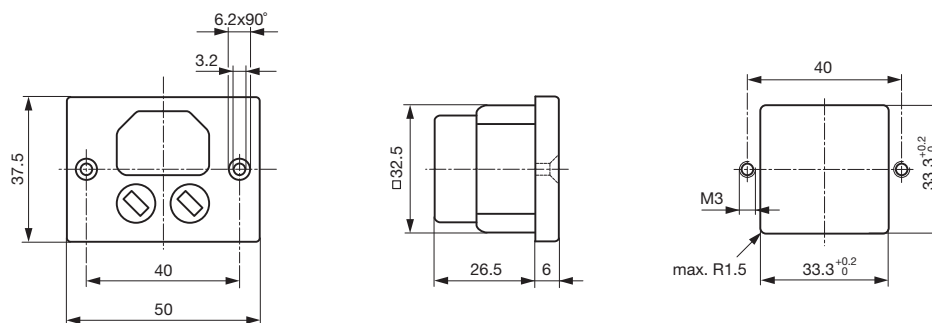
 RoHS: <http://www.schurter.com/rohs>

### Technical Data

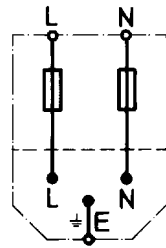
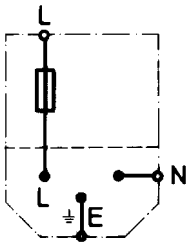
|                           |   |
|---------------------------|---|
| Ratings IEC               | 10 A / 250 VAC; 50 Hz   |
| Ratings UL/CSA            | 6 A / 250 VAC; 60 Hz  |
| Dielectric Strength       | > 2 kVAC between L-N<br>> 4 kVAC between L/N-PE<br>(1 min/50 Hz)        |
| Allowable Operation Temp. | -25 °C to 70 °C   |
| Degree of Protection      | from front side IP 40 acc. to IEC 60529                                 |
| Protection Class          | Suitable for appliances with protection class I or II acc. to IEC 61140 |
| Terminal                  | Quick connect terminals 4.8 x 0.8 mm                                    |
| Panel Thickness s         | Screw-on: max 6 mm<br>Mounting screw torque max 0.5 Nm                  |
| Material: Housing         | Thermoplastic, UL 94V-0   |

|                                   |   |
|-----------------------------------|---|
| Appliance-Inlet /-Outlet          | C14/C18 acc. to IEC/EN 60320-1, UL 498, CSA C22.2 no. 42 (for cold condition) pin-temperature 70 °C, 10 A, Protection class I or II |
| Fuseholder                        | 1 or 2 pole, Shocksafe category PC2 acc. to IEC 60127-6, for fuse-links 5 x 20 mm   |
| Rated Power Acceptance @ Ta 23 °C | 5 x 20: 1.6 W (1 pole)/ 1,2 W (2-pole) per pole   |
| Power Acceptance @ Ta > 23°C      | Admissible power acceptance at higher ambient temperature see derating curves   |

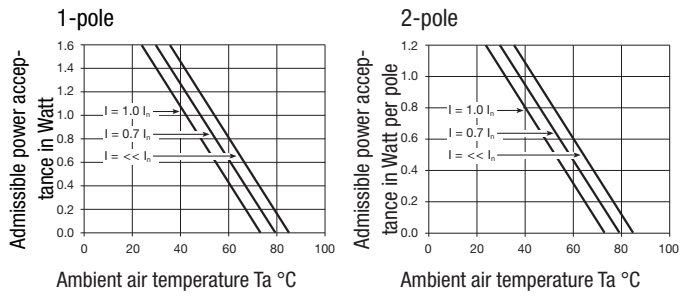
### Dimensions

 Length  50 mm


## Diagrams



## Derating curves



## Variants

Socket and fuse-carrier

| Protection Class | Fuseholder | Case  | Order Number |
|------------------|------------|-------|--------------|
| I                | 1 pole     | black | 0040.5012    |
| I                | 2-pole     | black | 0040.5000.2  |
| I                | 2-pole     | Grey  | 0040.5001.2  |
| II               | 2-pole     | black | 0040.5015    |

Packaging unit 100 Pcs