

15

XSTO 1

RCA connectors



RCA plug acc. to JEITA RC-5231, straight version, with bend protection and solder terminals

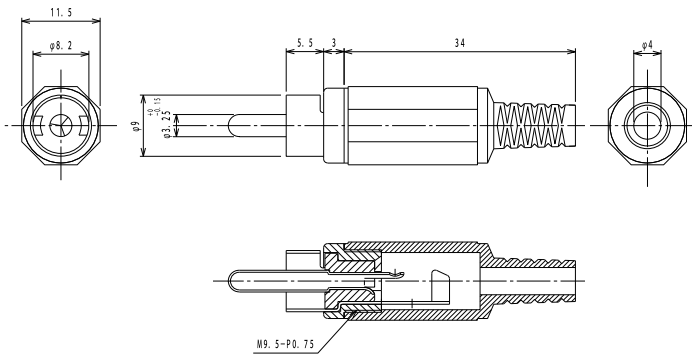
---

State: Active

---

15

XSTO 1



#### Environmental conditions

Temperature range -20 °C/+70 °C

#### Materials

Insulating body	ABS
Inner contact	CuZn, nickel-plated
Outer contact	steel, nickel-plated
Housing	PE

#### Connectable conductors for solder area

Cable diameter 4 mm

#### Electrical data (at T<sub>amb</sub> 20 °C)

Rated current	2 A
Rated voltage	34 V AC/DC
Rated impulse voltage	250 V/60 s
Insulation resistance	≥ 100 MΩ

#### Associated products

Counterparts		
<a href="#">☞ 1552 02 V</a>	<a href="#">☞ 1553 02</a>	<a href="#">☞ 4514</a>
<a href="#">☞ BTO 1</a>	<a href="#">☞ BTO 1 V</a>	<a href="#">☞ BTOR 1</a>
<a href="#">☞ KTO 1</a>	<a href="#">☞ XKTO 1</a>	

15

XSTO 1

Designation	Pole Number	PU (Pieces)	MDQ (Pieces)
XSTO 1 GELB (yellow/jaune)	2	100	1000
XSTO 1 ROT (red/rouge)	2	100	1000
XSTO 1 SCHWARZ (black/noir)	2	100	1000
XSTO 1 WEISS (white/blanc)	2	100	1000

**Packaging:**

in bulk, in a cardboard box or a plastic bag