

PB 1151 Test Jack, PCB Mounting, Ø 2 mm, 6.3 A



### Description

- PCB Mounting
- Test Jack, diameter 2.0 mm, 2-pole
- measuring and testing during operation
- Continuous electrical connection
- Resilient contacts, gold plated

### Weblinks

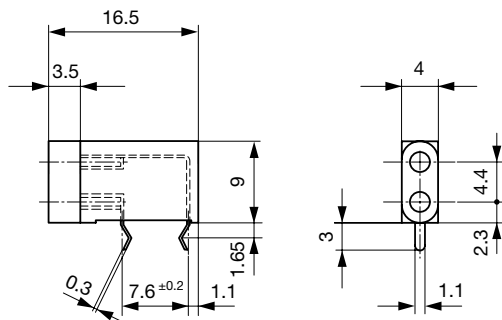
[pdf-datasheet](#), [html-datasheet](#), [General Product Information](#), [Approvals](#), [CE declaration of conformity](#), [RoHS](#), [CHINA-RoHS](#), [e-Shop](#), [SCHURTER-Stock-Check](#), [Distributor-Stock-Check](#), [CAD-Drawings](#), [Accessories](#), [Mounting instruction](#), [Detailed request for product](#)

### Technical Data

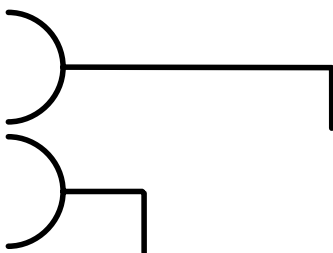
Diameter	2mm
Rated current	6.3A
Admissible switching power	@ 250 Insertions: 220 W / max. 5 A or 75 VDC 440 W / max. 5 A or 50 VAC
	@ 1000 Insertions: 100 W / max. 2 A or 75 VDC 150 W / max. 5 A or 50 VAC
Contact resistance	< 7 mΩ at 20 mV
Insulation Resistance	> 5 MΩ ( 500VDC; 1 min)
Dielectric strength	> 2 kV ( 50Hz; 1 min)
Clearance and Creepage Distance	> 2 mm
Allowable Operation Temp.	-25 °C to 70 °C

Solderability	235 °C / 2 sec acc. to IEC 60068-2-20 , Test Ta, method 1
Resistance to Soldering Heat	260 °C / 5 sec acc. to IEC 60068-2-20 , Test Tb, method 1A
Weight	0.7 g
Material: Housing	Thermoplastic (PC), UL 94V-2
Surface of contacts	gold plated , Thickness 2.0 μm

### Dimensions



### Diagrams



## Variants

Product group	Color	Order Number
Test Jack	black	0040.1151
Test Jack	red	0040.1152

Most Popular.

Availability for all products can be searched real-time: <http://www.schurter.com/en/Stock-Check/Stock-Check-SCHURTER>

**Packaging unit** 100 Pcs

## Mating Inlets/Plugs

### Category / Description



[Test Jacks & Probes Overview complete](#)

PS 1061 Test Probe, Ø 2 mm, 10 A

PS 1061

PS 1161 Test Probe, Ø 2 mm, 6.3 A

PS 1161

[Test Jacks & Probes further types to PB 1151](#)