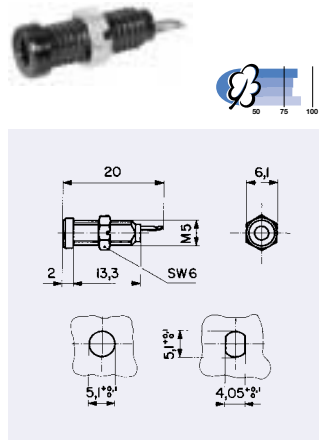


Mounting style

Panel mounting



Contact system



Rated current

6,3 A

Contact resistance
at 20 mV

< 5 mΩ

Insulation resistance, 1 min.
contact to contact

Contact/mounting plate

> 10⁴ MΩ

Dielectric strength,
50 Hz, 1 min.
contact to contact

Contact/mounting plate

> 1,5 kV

Temperature at no current

-25 °C up to + 100 °C

at rated current

-25 °C up to + 70 °C

Solderability

2 sec., 235 °C IEC 68-2-20 test Ta, test method 1

Resistance to soldering heat

3 sec., 350 °C

Surface of contacts
(average thickness)

0,5 μm Au

Tin-plated contacts
on request

Type

PBF

Order No.
Color

0040.1031	black
0040.1032	red
0040.1033	green
0040.1034	blue
0040.1035	yellow