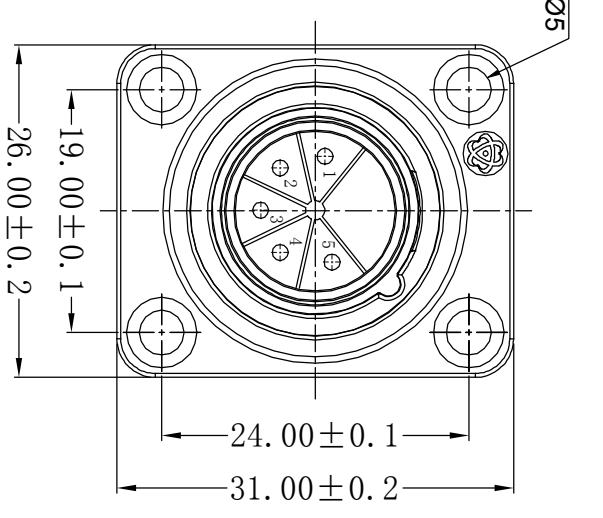
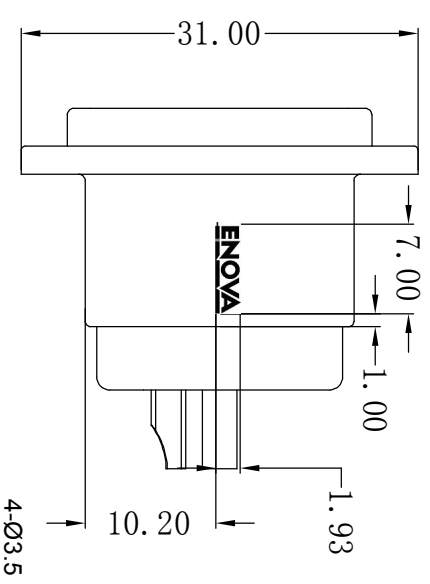
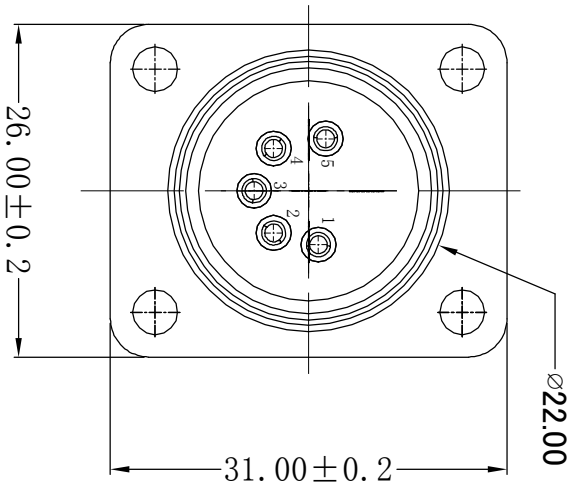


REVISIONS	
ISS	ZONE
	DESCRIPTION \ PER REQUEST \ DATE
V	OPEN
	Open drawings to customers



NO.	DESCRIPTION	MATERIAL	FINISH	Q'TY	DRAWING NO.
3	ENCAPSULATE	TPR	ORANGE	1	
2	PLASTIC BASE	PA	SILVER	1	
1	PIN	H59-1	SILVER	5	

DIMENSIONS ARE IN MILLIMETERS		APPROVED	DATE
UNLESS OTHERWISE SPECIFIED			
TOLERANCES		CHECKED	DATE
ANGLES = ±5°			
UP TO 6 = ±0.2		DRAWN	DATE
6-40 = ±0.4		HAONANHU	2019-8-20
40-120 = ±0.6		FILE NO.	
120-315 = ±1		ERP LINK:	
ABOVE 315 = ±1.6			
THIRD_ANGLE			
SCALE	2/1		

Connector Distribution GmbH		PART NO.	REV.
TITLE		XL15MB-W	A1
5P XLR PANEL WATERPROOF CONNECTOR			
SILVER PLATED PIN			