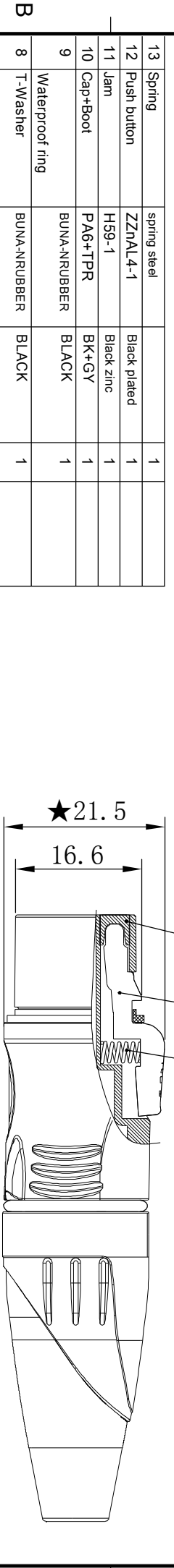
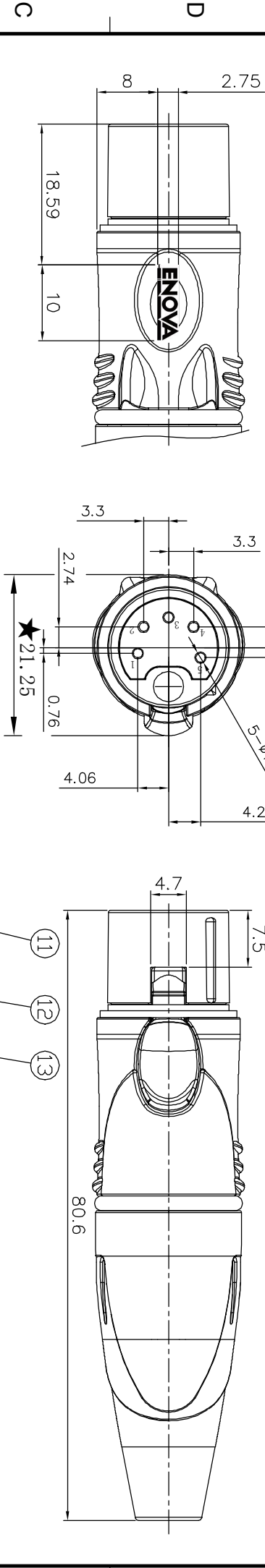
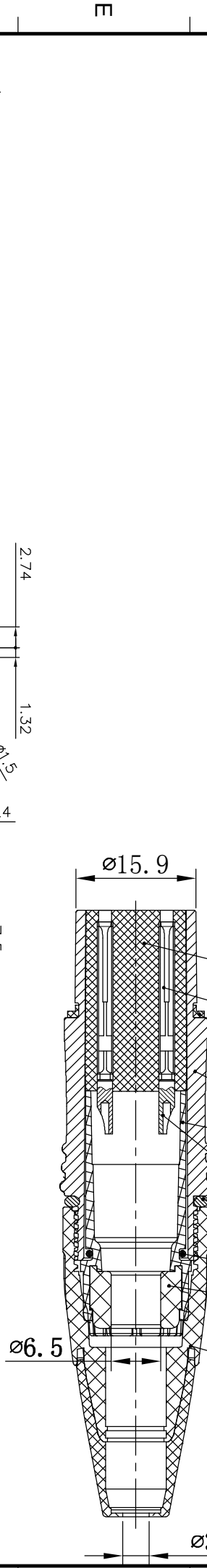


1		2		3		4		5		6		7		8	
ISS		ZONE		DESCRIPTION \ PER REQUEST \ DATE											
V		OPEN		Open drawings to customers											



A		2		3		4		5		6		7		8	
NO.		DESCRIPTION		MATERIAL		FINISH		Q'TY		DRAWING NO.		THIRD_ANGLE		SCALE	
1		Insulator		PA		BLACK		1				1.5/1			
2		Female pin		PHOSPHOR BRONZE		SILVER		5							
3		T-Washer		BUNA-NRUBBER		BLACK		1							
4		Die-cast shell		ZZnAL4-1		Black plated		1							
5		Cable clamp		PA6		WHITE		1							
6		Pin		H59-1		SILVER		5							
7		O-WASHER		SILICONE		BLACK		1							
8		T-Washer		BUNA-NRUBBER		BLACK		1							
9		Waterproof ring		BUNA-NRUBBER		BLACK		1							
10		Cap+Boot		PA6+TPR		BK+GY		1							
11		Jam		H59-1		Black zinc		1							
12		Push button		ZZnAL4-1		Black plated		1							
13		Spring		spring steel				1							

UNLESS OTHERWISE SPECIFIED DIMENSIONS ARE IN MILLIMETERS		APPROVED		DATE	
TOLERANCES		CHECKED		DATE	
ANGLES = ±5°		DRAWN		DATE	
UP TO 6 = ±0.2		HAONANHU		2019-8-20	
6-40 = ±0.4		FILE NO.			
40-120 = ±0.6		ERP LINK:			
120-315 = ±1		PART NO.		XL25FB-W	
ABOVE 315 = ±1.6		TITLE		WATERPROOF 5P XLR FEMALE CONNECTOR	
		SCALE		PLATED SILVER PIN	
		THIRD_ANGLE		REV.	
		1.5/1		A1	

Connector Distribution GmbH