

Series 415

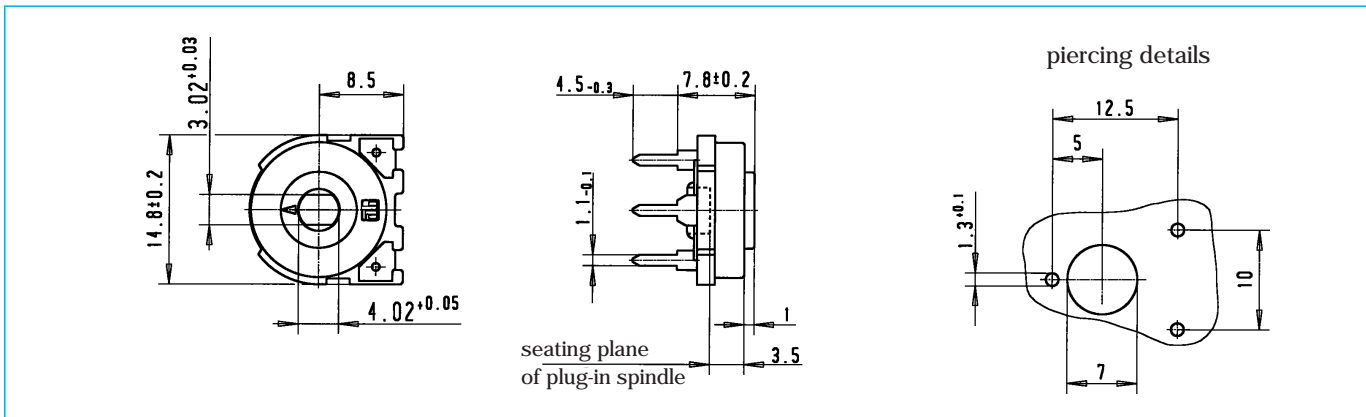
Type HC 414/30

Ordering code no.: 20 414 2....

Basic design: encased, double metal wiper, drive position „S“



Special versions:
 - Snap-in soldering terminals
 - Carbon contact wiper
 - Cover with scale



Technical data

Rated resistance range:	22 Ω - 4,7 MΩ
Resistance tolerance:	± 20% *
Law (resistance taper):	lin *
Independent linearity:	10% *
Rated dissipation:	1 W / 70°C (1,5 W / 40 °C)
Limiting element voltage:	300 V
Temperature range:	-40°C to +90°C
Temperature coefficient:	± 250 ppm / °C
Electrical travel:	240° ± 10° *
Mechanical travel:	270° ± 10°
Operating torque:	0,5 - 2,5 Ncm
End stop torque:	≥ 10 Ncm
Durability:	200 cycles

Plastic moulded spindles: see page 22

* other values on request

Technical details subject to change