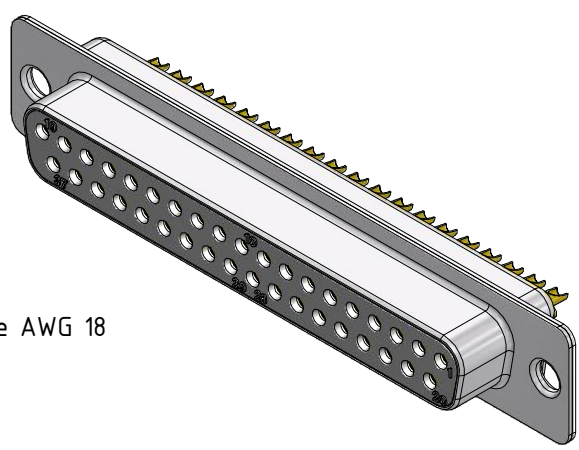
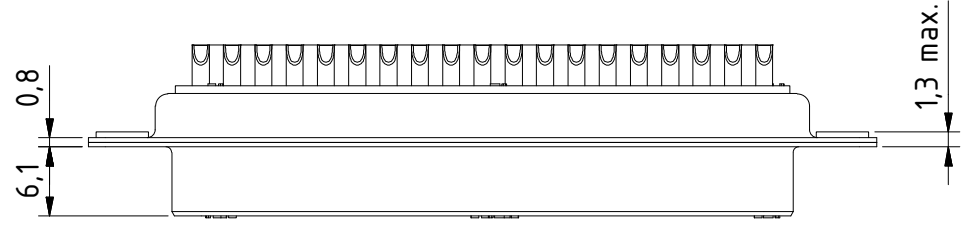
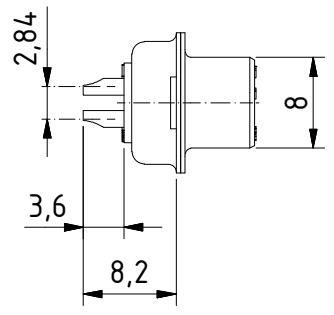
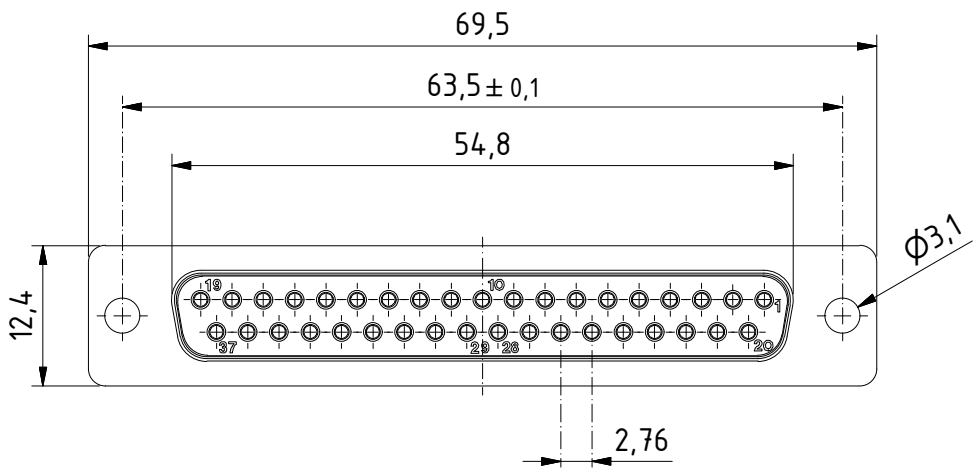


RoHS compliant



suitable for cable AWG 18

General tolerances (Deltron standard)			
size in mm	tolerances		
	> 0.5 up to 3	> 3 up to 6	> 6 up to 30
±0.1	±0.2	±0.2	±0.3

MATERIALS

- Insulator: Thermoplastic UL 94-V-0 white
- Contact: Copper alloy
- Contact finish: Quality class 2
- Shell: steel tin plated

CHARAKTERISTICS

- Working voltage: 125V
- Current rating: 5A
- Contact resistance: max. 10mΩ - DIN41652
- Insulation resistance: >5GΩ
- Temperature range: -55° to +125°C

modification	Rev.	Rev.	Rev.	DE002193 part no.		
	Rev.	Rev.	Rev.			
DTS37SZ/2	1.5:1 scale	drawn	09.08.2010	mr		
		checked				
		approved				
 Industrie Neuhof 8c CH-3422 Kirchberg				K060593 drawing no.		