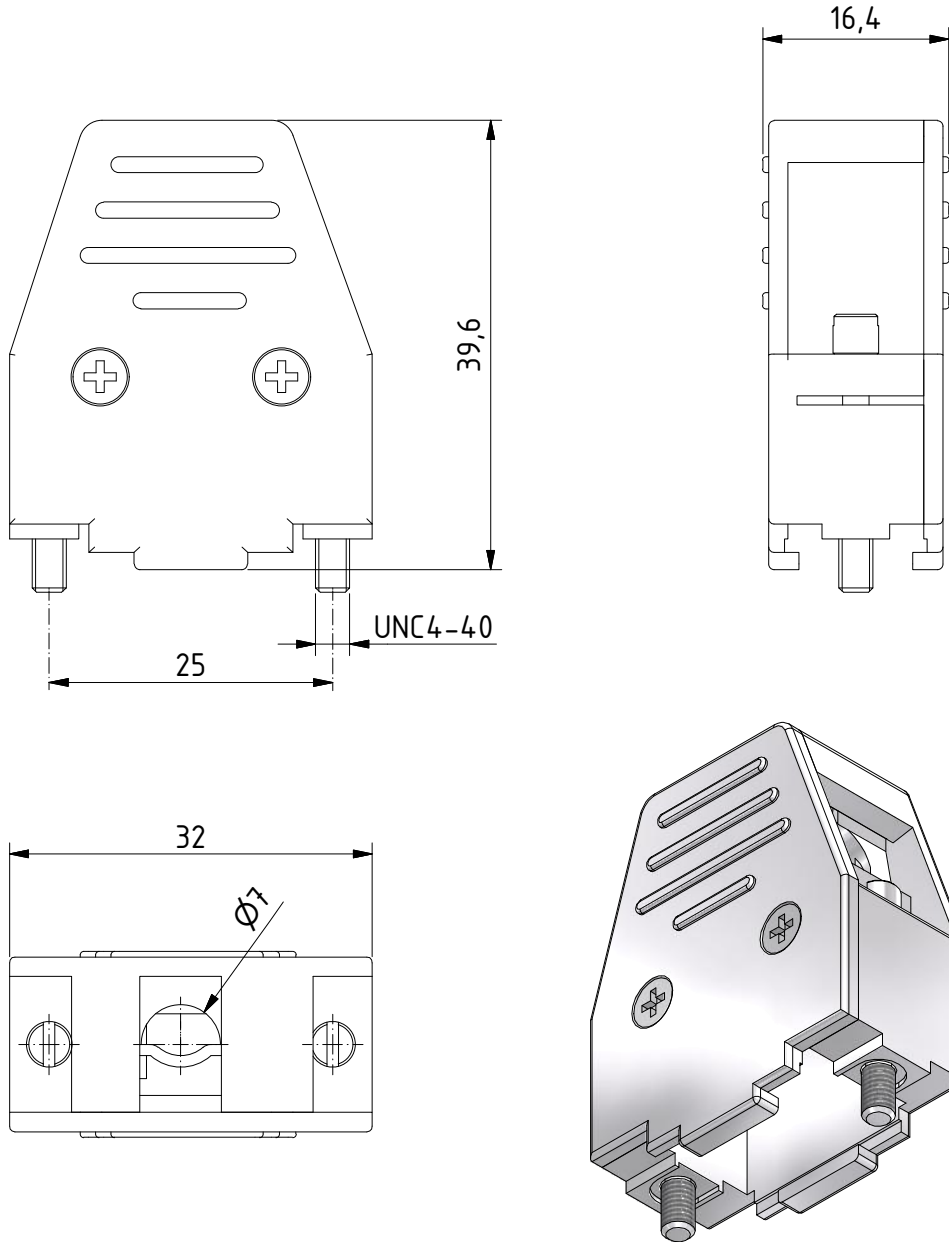


RoHS compliant



MATERIALS

- Hood: thermoplastic metallized

CHARACTERISTICS

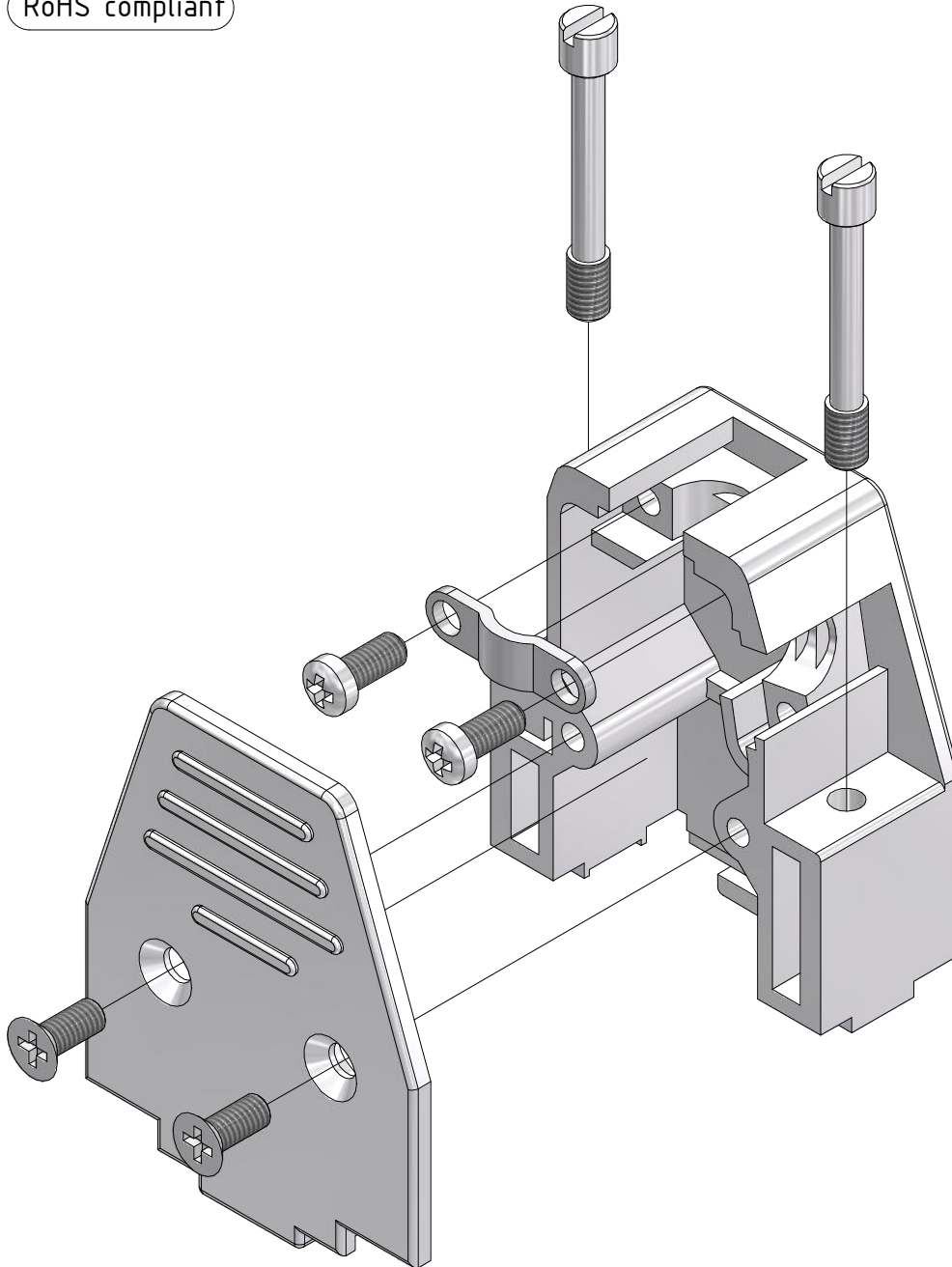
- Temperature range: -40°C to +85°C
- Housing screw: self cutting
- Straight and side cable outlet
- With metal strain relief
- Two mobile assembled screws
- Attenuation: min. 40 db at 100Mhz

-Set packed in bag

General tolerances (Deltron standard)			
size in mm	> 0.5 up to 3	> 3 up to 6	> 6 up to 30 up to 120
tolerances	±0.1	±0.2	±0.3

modification	Rev.	Rev.	Rev.	DE002461		
	Rev.	Rev.	Rev.	part no.		
DCM09UN4	1.5:1 scale	drawn	09.04.2010	mr		
		checked				
		approved				
DELTRON Industrie Neuhof 8c CH-3422 Kirchberg		K051634 Blatt 1 / 2 drawing no.				

RoHS compliant



MATERIALS


- Hood: thermoplastic metallized

CHARACTERISTICS

- Temperature range: -40°C to +85°C
- Housing screw: self cutting
- Straight and side cable outlet
- With metal strain relief
- Two mobile assembled screws
- Attenuation: min. 40 db at 100Mhz

-Set packed in bag

General tolerances (Deltron standard)			
size in mm	> 0.5	> 3	> 6
	up to 3	up to 6	up to 30
tolerances			
	up to 30	up to 120	> 30
	±0.1	±0.2	±0.3

modification	Rev.	Rev.	Rev.	DE002461			
	Rev.	Rev.	Rev.	part no.			
DCM09UN4	Explosion			1.5:1	drawn	09.04.2010	mr
				scale	checked		
					approved		
 Industrie NeuhoF 8c CH-3422 Kirchberg				K051634 Blatt 2 /2 drawing no.			