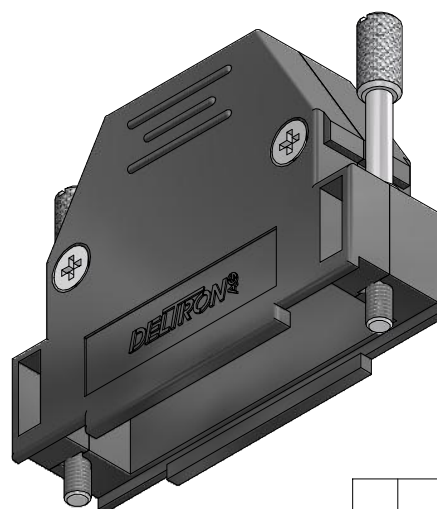
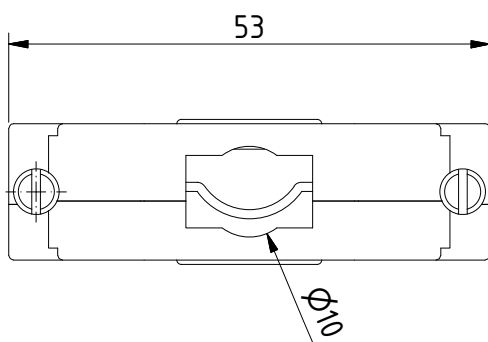
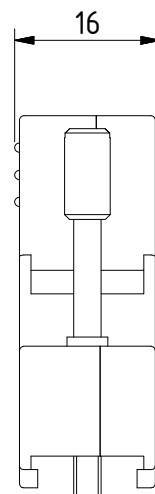
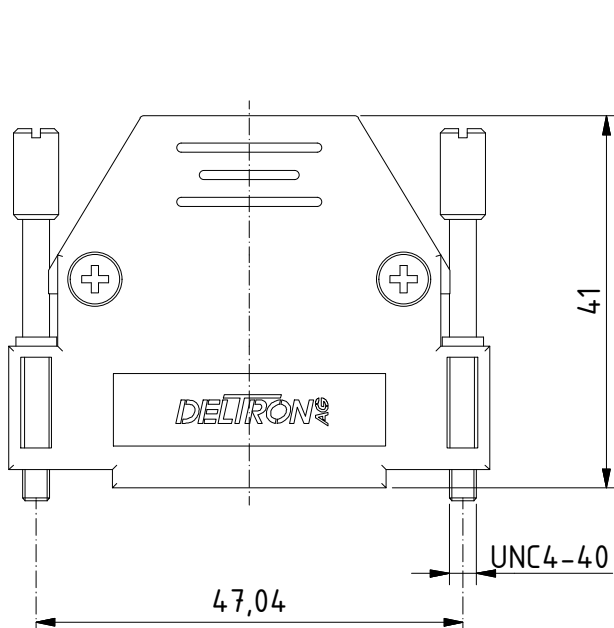


RoHS compliant



**MATERIALS**

- Hood: thermoplastic black

**CHARACTERISTICS**

- Temperature range: -40°C to +85°C
- Housing screw: with pressed in grommet
- Straight cable outlet
- Preassembled metal strain relief
- Two mobile assembled screws

-Set packed in bag

<b>General tolerances</b> (Deltron standard)			
size in mm	> 0.5	> 6	> 30
	up to 3	up to 30	up to 120
Tolerances			
	±0.1	±0.2	±0.3

modification	Rev.	Rev.	Rev.	DE001503 part no.		
	Rev.	Rev.	Rev.			
CTL25UN4	1.2:1 scale	drawn	07.01.2011	mr		
		checked				
		approved				
 Industrie Neuhof 8c CH-3422 Kirchberg		K060654 drawing no.				