



ECG1123

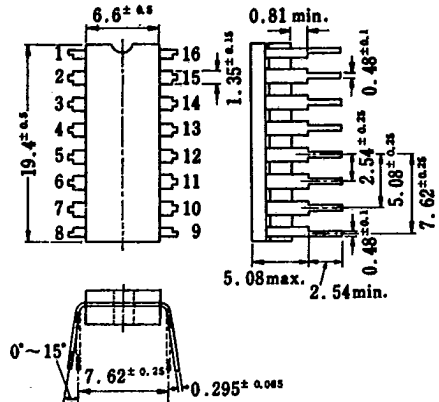
COLOR TV SUBCARRIER PROCESSING CIRCUIT

T-77-07-05

Color TV Subcarrier Processing Circuit

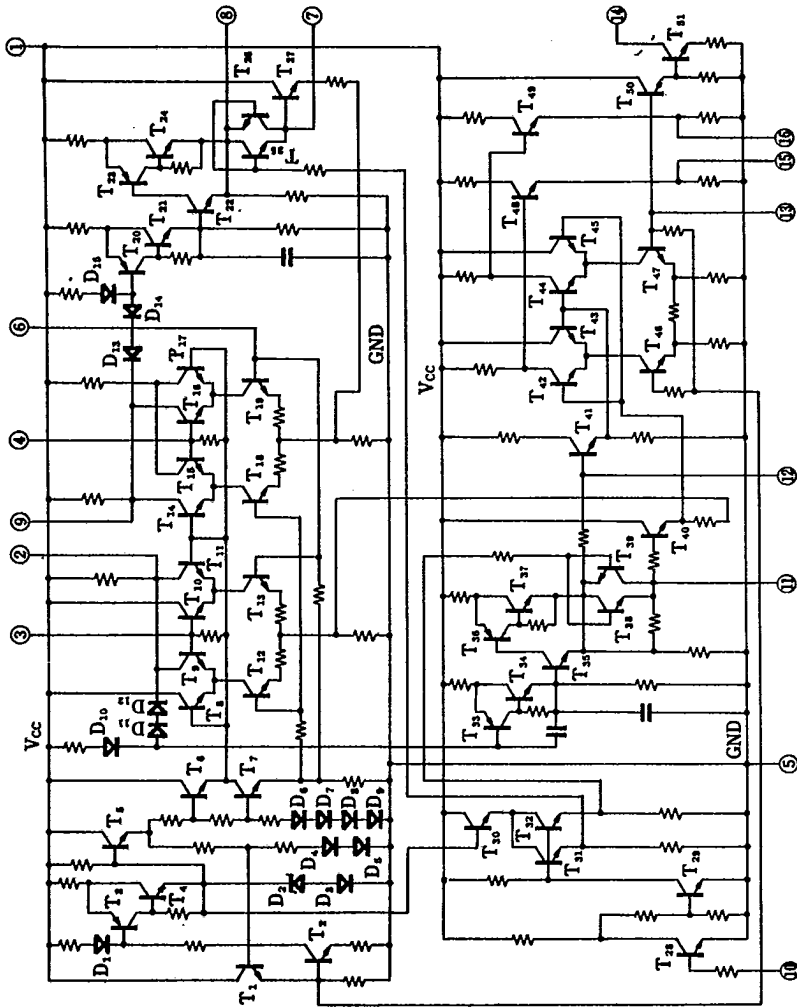
(Dimensions in mm)

Quick Reference Data		
Symbol	Rating	Unit
V_{CO}	12	V
f_{OSC}	3579.545	kHz
$ df_{osc} V_{CO}$	100 max.	Hz
$ df_{osc} T_a$	200 max.	Hz
V_{OW}	1.3	V _{p-p}
β	13	Hz/mV
R_{APO}	± 600 min.	Hz
	2.25	$\circ/100\text{Hz}$



Absolute Maximum Ratings (Ta=25°C)

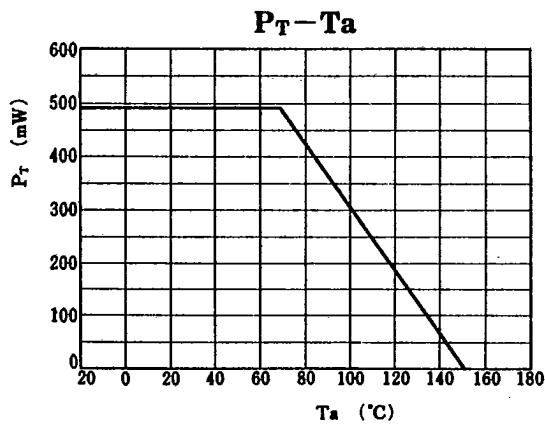
Symbol	Rating	Unit	
V_{1-5}	15.6	V	
V_{10-5}	5	-5	V
V_{14-5}	30	0	V
$I_3, I_4, I_8, I_{12}, I_{13}$	1	-1	mA
I_7, I_9, I_{11}	10	-10	mA _(peak)
I_{10}	3	-0.1	mA _(peak)
I_{14}	10	0	mA
I_{15}, I_{16}	2	-10	mA
I_{tot}	41		mA
P_T	490		mW
T_{opr}	-20 ~ +70		°C
T_{stg}	-40 ~ +150		°C



T-77-07-05

Electrical Characteristics ($V_{CO}=V_{1-5}=12V$, $T_a=25^\circ C$)

Symbol	Test Fig.	Test Condition	min.	typ.	max.	Unit
I_{tot}			21.5	27	32.5	mA
V_{6-5}		$V_{10-5}=2V$	3.1	3.9	4.7	V
V_{7-5}			3.1	3.9	4.7	V
V_{11-5}			3.35	4.2	5.05	V
V_{11-6}			3.3	4.15	5	V
f_{OSO}	1	$R=1.5k\Omega$	3579.220	3579.545	3579.970	kHz
$ df_{OSO} V_{CO}$	1	$V_{1-5}=12V\pm 20\%$			100	Hz
$ df_{OSO} T_a$	1	$T_a=-10\sim 60^\circ C$			200	Hz
V_{OW}	1		1	1.3		V_{p-p}
β	2	$V_{11-11}\pm 20mV$	9.5	13		Hz/mV
	1				8.4	V
μ_{APO}	3	I $\phi_{OW}=+20^\circ$		-60	-30	mV
		II $\phi_{OW}=-20^\circ$	35	65		mV
R_{APC}	5	$v_s=0.5V_{p-p}$	± 600			Hz
μ_{AOC}	4		170	225	280	mV
$R_{i(1)}$		$f=3.6MHz$		3		k Ω
$C_{i(1)}$				9		pF
$R_{i(2)}$				2.2		k Ω
$C_{i(2)}$				9		pF
$R_{i(3)}$				2.2		k Ω
$C_{i(3)}$				9		pF



T-77-07-05

Figure 1

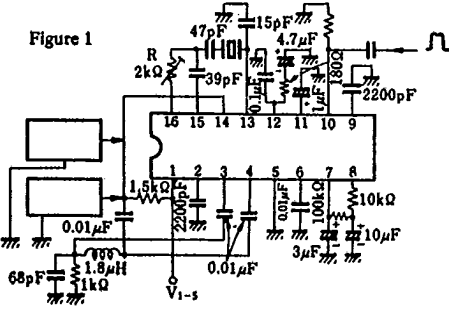


Figure 2

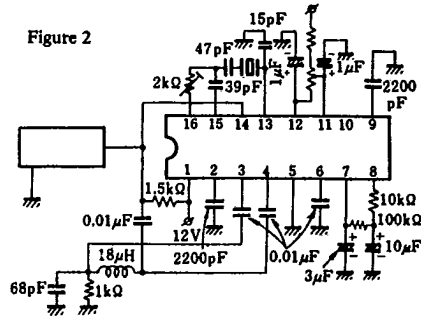


Figure 3

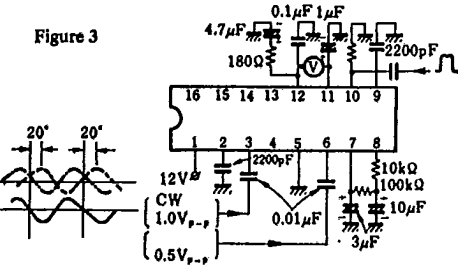


Figure 4

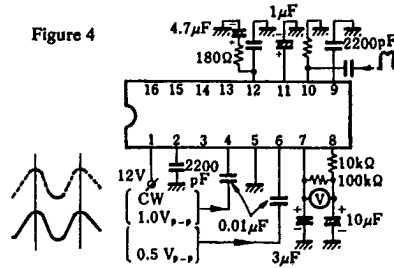
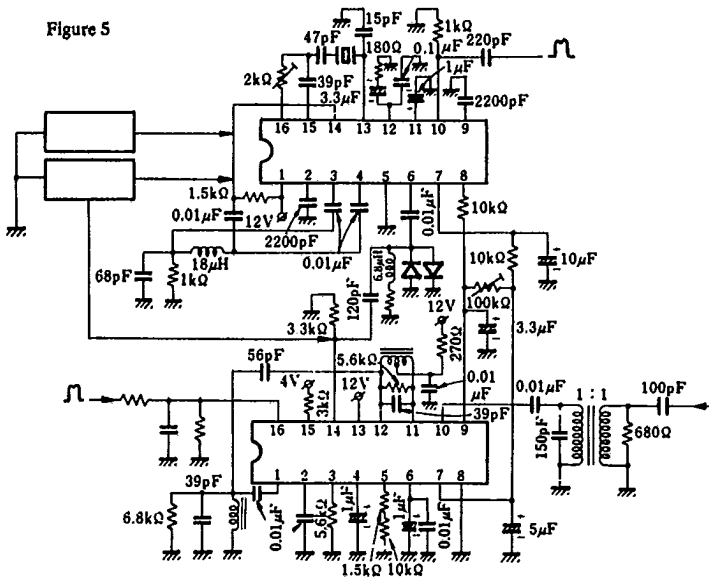
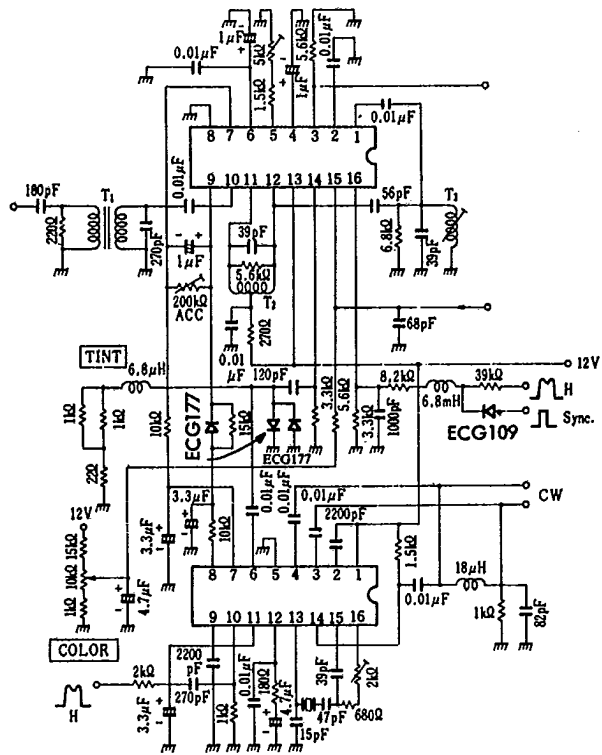


Figure 5



T-77-07-05



881

ECG1123