

T-77-07-09



ECG1121

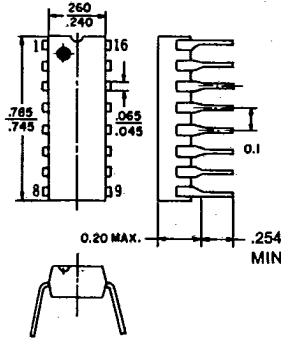
TV COLOR SYNC. CIRCUIT

FUNCTIONS

- 3.58MHz Osc.
- Phase Det.
- Killer Det.
- Killer Amp.
- Burst Gate Pulse
- Tint Control

PIN ARRANGEMENT

Pin No	Function
1	Bias Output
2	-45° CW
3	+45° CW
4	Power Supply
5	Gate Pulse Amp Bypass
6	Gate Pulse Input
7	Killer Voltage Output
8	Ground
9	Burst Signal Input
10	ACC Filter & Adjust
11	ACC Filter & Adjust
12	APC Filter
13	APC Filter
14	3.58MHz Osc
15	TINT Control
16	Reference Output



ABSOLUTE MAXIMUM RATINGS

Symbol	Rating	Unit
V_{CC}	15	V
P_T^*	325	mW
T_{op}	-20 ~ +85	°C
T_{stg}	-55 ~ +125	°C

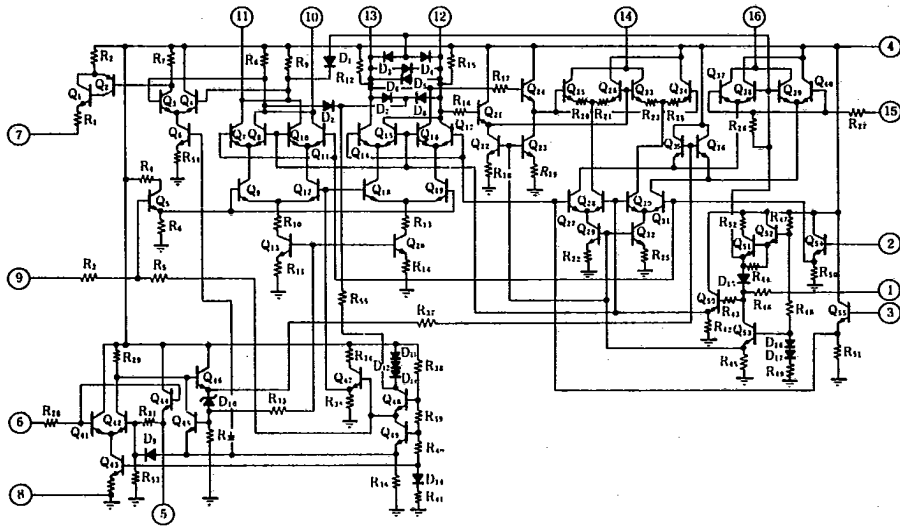
*Value at $T_a = 85^\circ\text{C}$

ELECTRICAL CHARACTERISTICS ($T_a = 25^\circ\text{C}$)

Symbol	Test Circuit	Test Conditions	min	typ	max	Unit
I_T	1, 2, 3	$V_{CC} = 12V$	14.4	19.5	28.0	mA
$f_{m(tin)}$	4	$e_{BURST} = 0.6V_{P-P}$	± 300	± 440	—	Hz
f_{stg}	4	$e_{BURST} = 0.6V_{P-P}$	—	± 660	—	Hz
β	5		—	1.55	—	Hz/mV
μ	6	$e_{BURST} = 0.6V_{P-P}$	24	28	34.6	mV/deg.
ΔV_K	6	$e_{BURST} = 0V$	430	625	880	mV

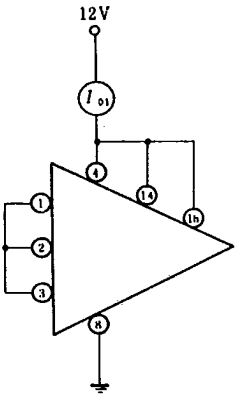
CIRCUIT SCHEMATIC

T-77-07-09

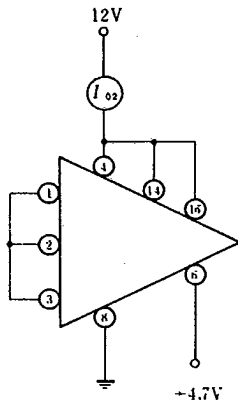


TEST CIRCUIT

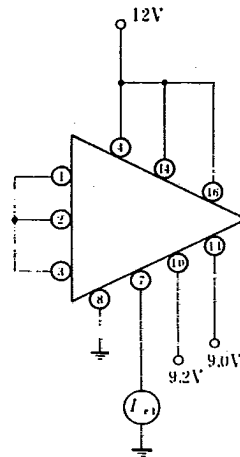
1.



2.



3.

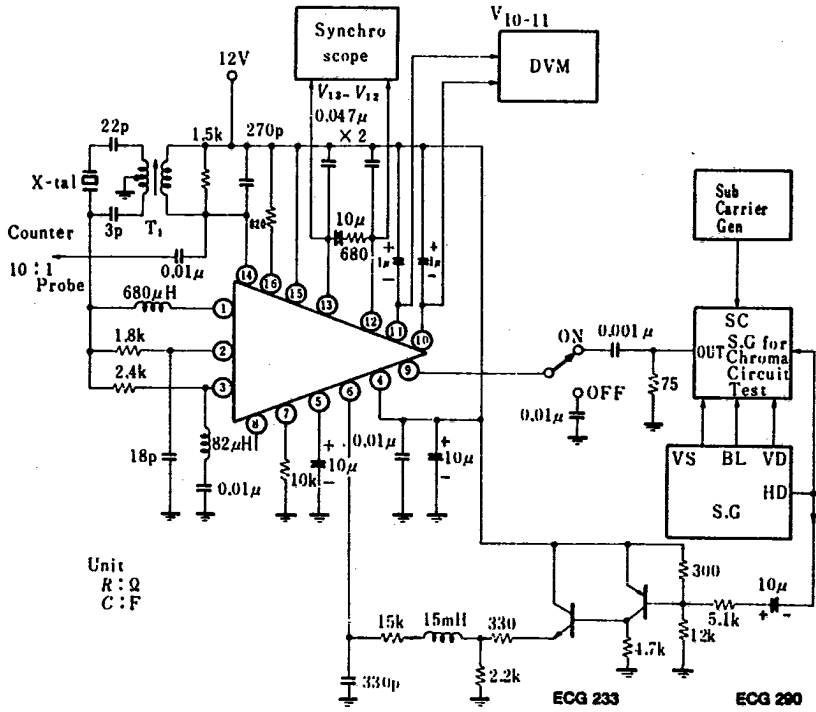


ECG1121

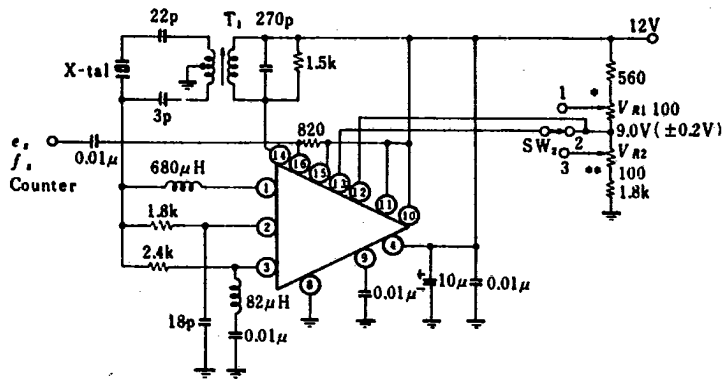
870

4.

T-77-07-09



5.



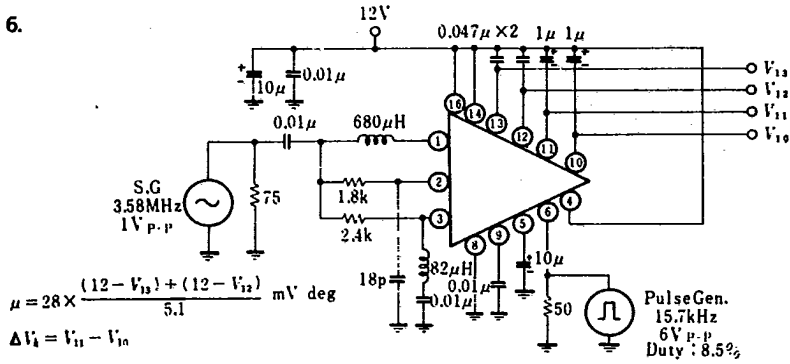
- SW: 1 $V_{12-11} = 200 \pm 2 \text{ mV } V_{A1}$
- SW: 3 $V_{12-11} = 200 \pm 2 \text{ mV } V_{A2}$
- Turn SW₁ to the 1-side and adjust V_{A1} to get the $V_{12-11} = 200 \pm 2 \text{ mV}$
- Turn SW₁ to the 3-side and adjust V_{A2} to get the $V_{12-11} = 200 \pm 2 \text{ mV}$

871

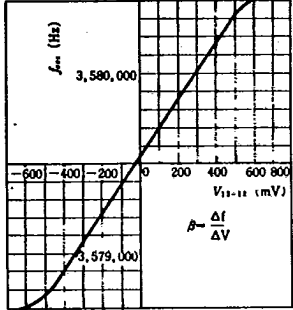
ECG1121

T-77-07-09

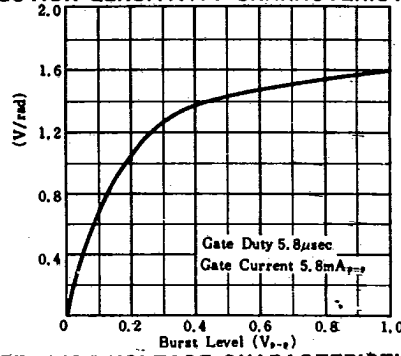
6.



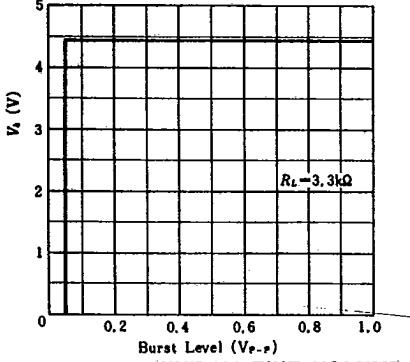
CONTROL CHARACTERISTIC



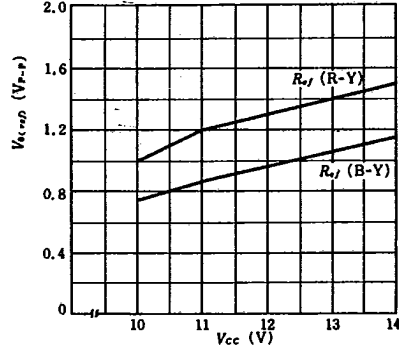
DETECTION SENSITIVITY CHARACTERISTIC



KILLER OUTPUT CHARACTERISTIC



REFERENCE VOLTAGE CHARACTERISTICS



TINT VR TINT VOLUME CONTROL VOLTAGE CHARACTERISTICS

