

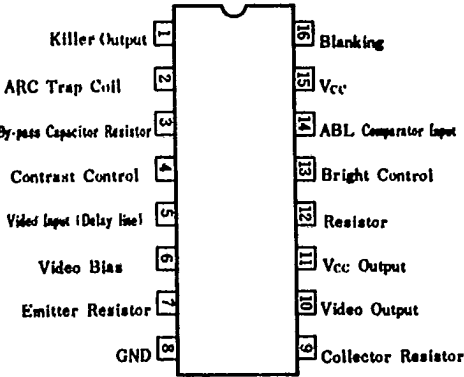


# ECG1084

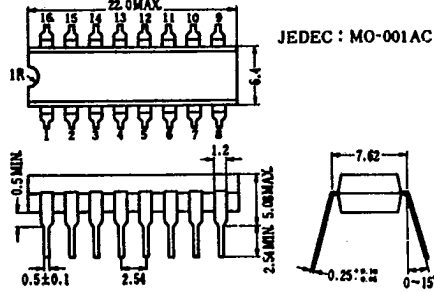
**AUTOMATIC RESOLUTION CONTROL**

T-77-07-05

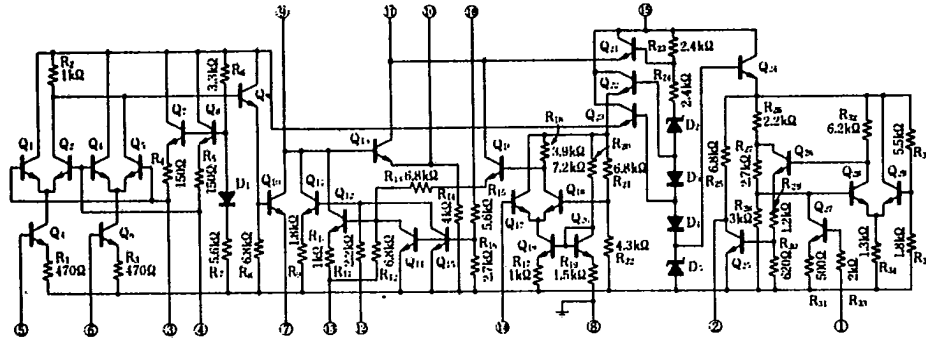
**Pin Connection (Top View)**



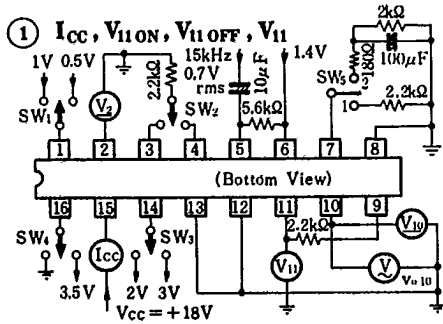
(Dimensions in mm)



**Equivalent Circuit**



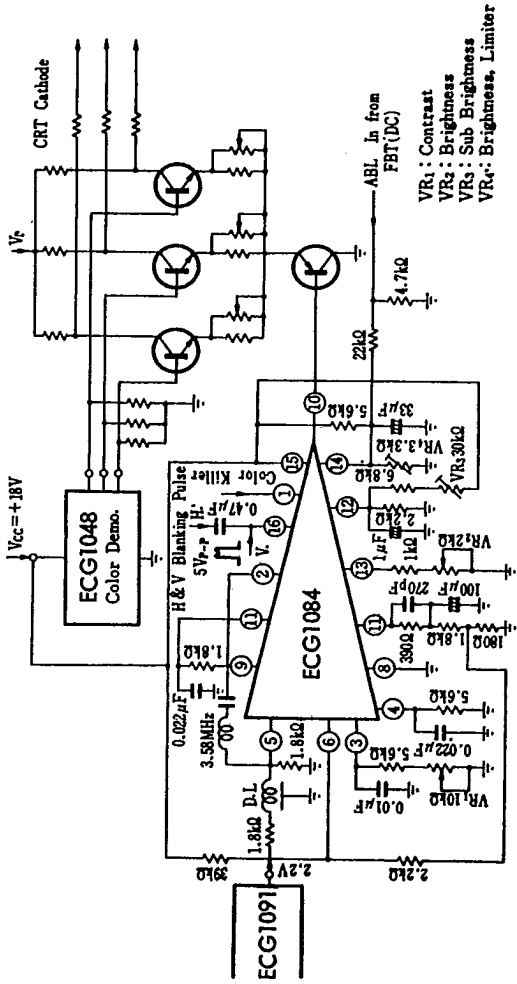
**Test Circuit**



T-77-07-05

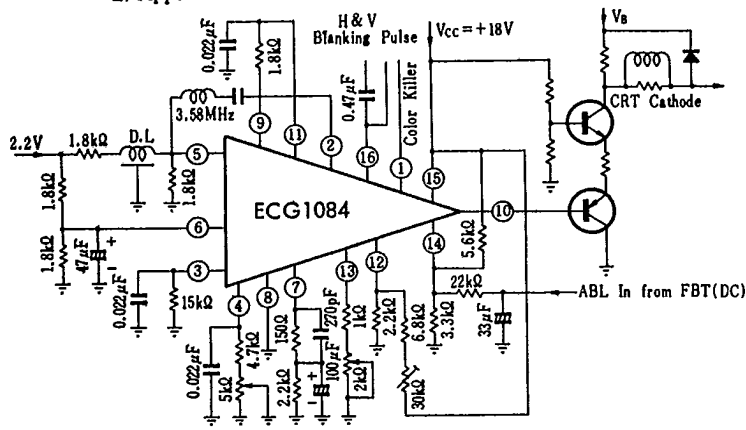
Application

1/ Application 1



2/ Application 2

T-77-07-05



Absolute Maximum Ratings (T<sub>a</sub>=25°C)

Symbol	Rating	Unit
V <sub>CC</sub>	22	V
I <sub>CC</sub>	40	mA
P <sub>D</sub>	360	mW
V <sub>i1</sub>	5	V <sub>DC</sub>
V <sub>i5</sub>	5	V <sub>DC</sub>
V <sub>i14</sub>	6.5	V <sub>DC</sub>
V <sub>i16</sub>	15	V <sub>P-P</sub>
T <sub>opt</sub>	-20~+75	°C
T <sub>sig</sub>	-40~+125	°C

Electrical Characteristics (T<sub>a</sub>=25±3°C, V<sub>CC</sub>=18V)

Symbol	Circuit	Test Condition	MIN.	TYP.	MAX.	Unit
I <sub>CC</sub>	①	ARC ON	12	18	21	mA
V <sub>i5</sub>		f=15kHz	2.0	2.5		V <sub>P-P</sub>
V <sub>O16</sub>		f=15kHz, R <sub>L</sub> =2.2kΩ, R <sub>e</sub> =180Ω, R <sub>B</sub> =2.2kΩ	4.5	5		V <sub>P-P</sub>
V <sub>i14</sub>			2.1	2.5	2.9	V
V <sub>i1ON</sub>	①	ARC ON	1.0			V
V <sub>i1OFF</sub>	①	ARC OFF			0.5	V
Z <sub>ARC ON</sub>		ARC ON 2-GND		50		Ω
Z <sub>ARC OFF</sub>		ARC OFF		6.8		kΩ
V <sub>i1</sub>	①		13.4	14.8		V
V <sub>i</sub>				5		V