

T-77-05-05

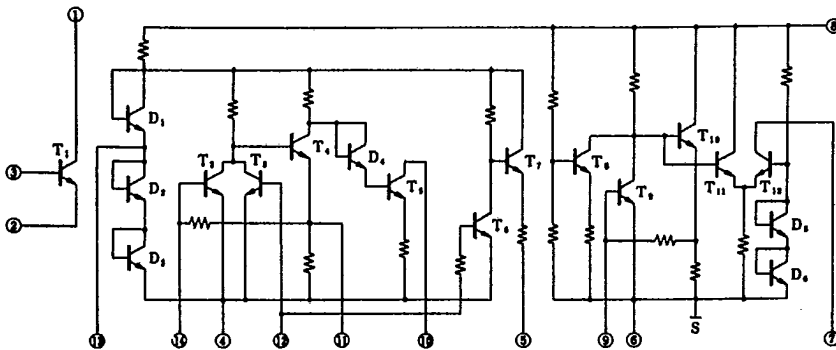
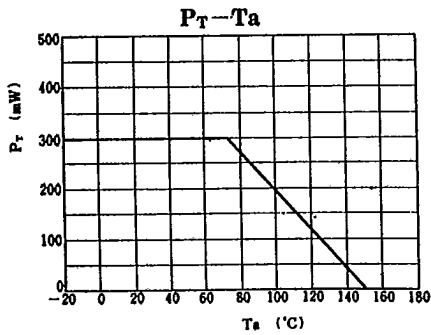
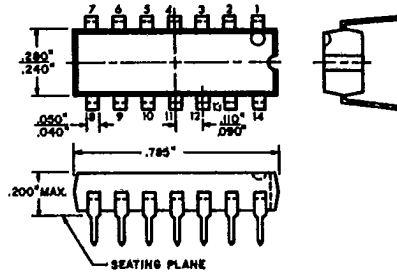


ECG1074

FM-AM IF, AM MIX. OSC. AND TUNING METER DRIVER

QUICK REFERENCE DATA

	Symbol	Value	Unit
	V_{CC}	6	V
FM - IF	G_V	90	dB
AM - IF		80	dB
FM		40 (IF)	dB
AM		45 (IF)	dB



ECG1074

690

T-77-05-05

ABSOLUTE MAXIMUM RATINGS ($T_a = 25^\circ\text{C}$)

	Symbol	Rating	Unit
	V_{B-6}	9	V
(T_1)	V_{CEO}	13.5	V
(T_1)	V_{EBO}	5	V
($T_1 \sim T_{12}$)	I_c	5	mA
	I_{tot}	30	mA
($T_a \leq 75^\circ\text{C}$)	P_T	300	mW
	T_{opr}	-20 ~ +75	$^\circ\text{C}$
	T_{stg}	-65 ~ +150	$^\circ\text{C}$

ELECTRICAL CHARACTERISTICS ($V_{cc} = 6\text{ V}$, $T_a = 25^\circ\text{C}$)

	Symbol	Test Fig.	Test Condition	Min.	Typ.	Max.	Unit
	I_1	1		--	--	1	μA
T_5	I_{10}	2		0.4	2.2	4.4	mA
T_{12}	I_7	3		0.25	1.4	3.0	mA
	V_{13-4}	4		1.4	1.5	1.6	V
	I_{tot}	5		4.5	1.5	28	mA
	I_5		$f = 10.7\text{ MHz}$, $V_{IN} = 100\ \mu\text{V}$	0.4	0.5	0.6	mA
FM-IF	$V_{O(FM)}$	6	$f = 10.7\text{ MHz}$, $V_{IN} = 100\ \mu\text{V}$	8.0	13	16.0	mV
AM-IF	$V_{O(AM)}$	6	$f = 455\text{ kHz}$, $V_{IN} = 100\ \mu\text{V}$	7.0	10	14.0	mV

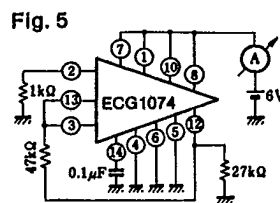
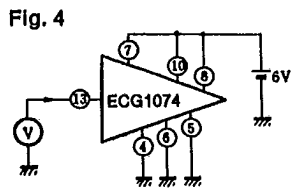
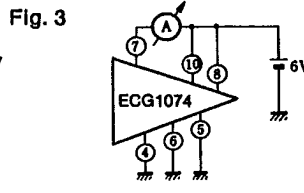
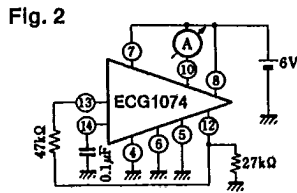
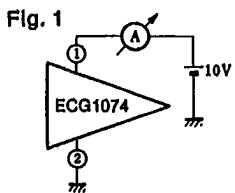
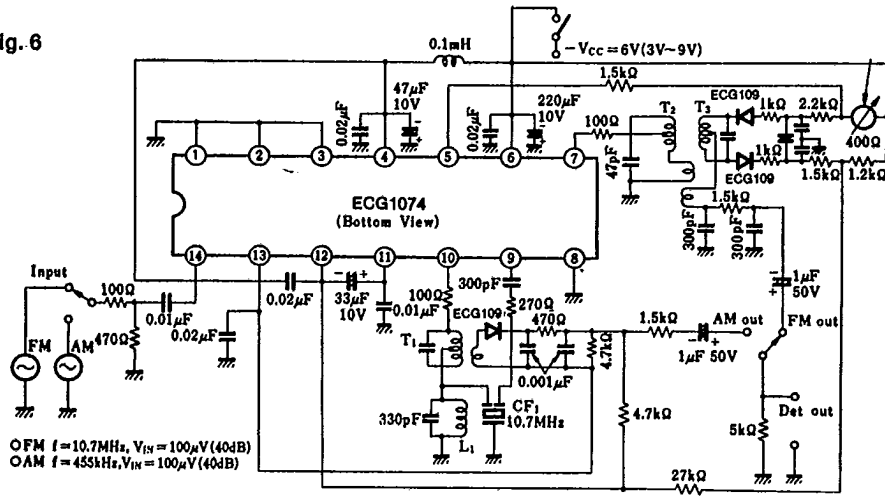
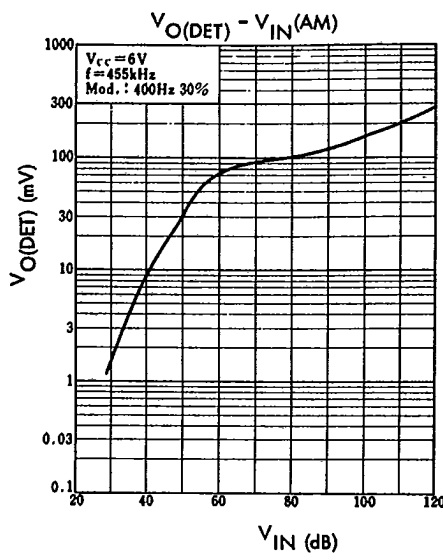
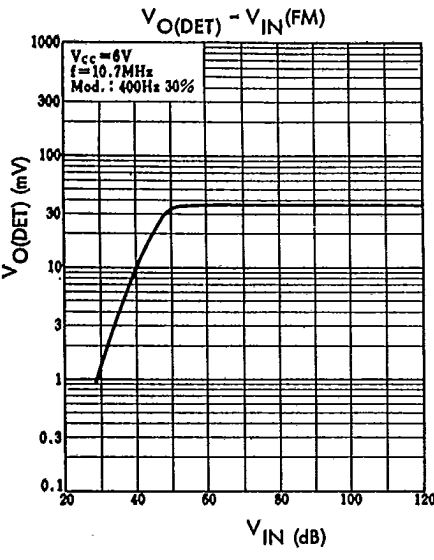


Fig. 6



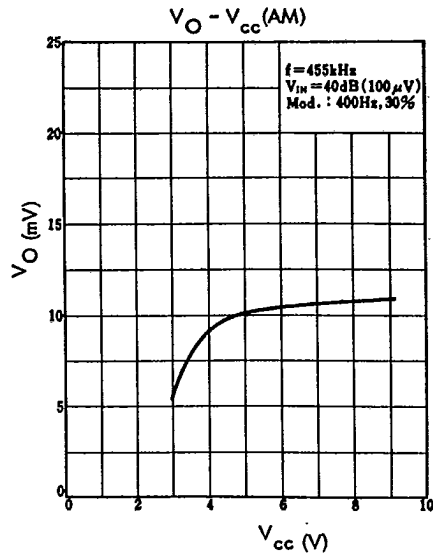
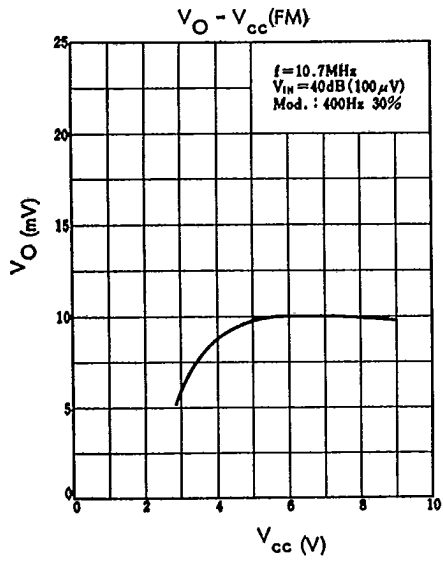
OFM $f = 10.7\text{MHz}$, $V_{IN} = 100\mu\text{V}$ (40dB)
 OAM $f = 455\text{kHz}$, $V_{IN} = 100\mu\text{V}$ (40dB)

		Q_0	Q_L	
T_1	10.7 MHz	180	$70 \pm 20\%$	$35 \pm 15\%$
T_2	10.7 MHz	50	$(60\text{ dB} \pm 80\text{ kHz})$ $0.58 \pm 0.12\text{ V}$	$400\text{ kHz} \pm 90\text{ kHz}$
T_3	10.7 MHz			$10\text{ k Ohms} : 4.7\text{ k Ohms}$
L_1	10.7 MHz	330	170	
CF_1	500 Ohms	$600\text{ kHz} \pm 20\text{ dB}$	$6 \pm 2\text{ dB}$	



ECG1074

692



T-77-05-05