
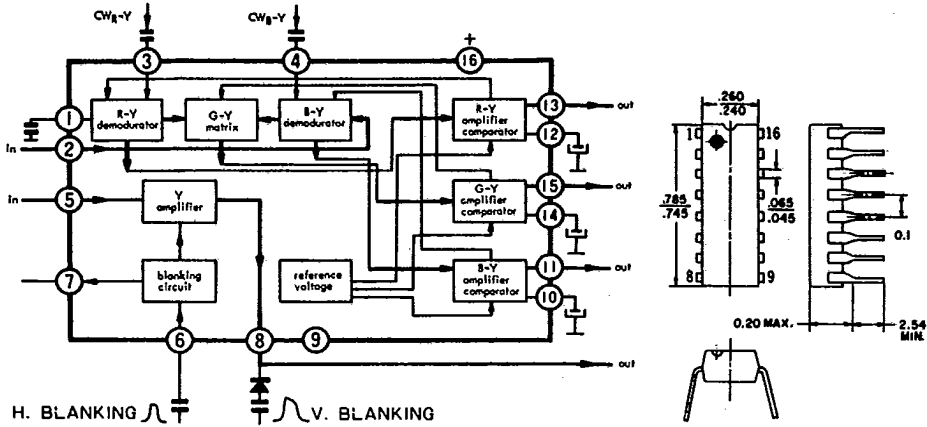


T-77-07-09



ECG1071

CHROMA DEMODULATOR*



MAXIMUM RATINGS (T _a = 25°C)			ELECTRICAL CHARACTERISTICS (T _a = 25°C)					
ITEM	RATING	UNIT	ITEM	CONDITION	MIN.	TYP.	MAX.	UNIT
V ₁₆₋₉	14.4	V	$\Delta V_{13-11} / V_{CC}$ $\Delta V_{12-11} / V_{CC}$	V ₁₆₋₉ = 12V ± 20%			50	mV
V ₁₋₉ V ₂₋₉	+ 8, - 2.5	V	$\Delta V_{13-11} / I_{B}$ $\Delta V_{12-11} / I_{B}$	T _a = - 20 ~ 70°C			60	mV
V ₃₋₉ V ₄₋₉	+ 9.5, - 1.5	V	E _{B-Y}		135	150	165	%
V ₅₋₉	V ₁₆₋₉ 0	V	ER-Y					
V ₆₋₉	+ 5, - 5	V	EG-Y		32	40	48	%
V ₇₋₉	V ₁₆₋₉ 0	V	ER-Y					
I _{1,2,3,4}	+ 1, - 1	mA	φ _{G-Y}		227	238	247	degrees
I ₅	+ 1, - 0.1	mA	G _{R-Y}			23		dB
I ₆	+ 3, - 1	mA	V _U (max.)				50	mV
I ₇	+ 5, 0	mA	G _{S-S}			6		dB
I ₈	+ 0.2, - 5	mA	B		4.5			MHz
I _{tot}	41	mA	I _{tot}	V ₅₋₉ = 10V, V ₆ = 3V _{p-p} pulse	17.6	22	26.4	mA
P _T	490	mW	V ₁₆₋₉		9.6	14	14.4	V
T _{opr}	- 20 ~ 70	°C	V ₁₃₋₉	V ₆₋₉ = 3V _{p-p} pulse	5.7	6	6.3	V
T _{stg}	- 40 ~ 150	°C	V ₁₃₋₁₁	V ₆₋₉ = 3V _{p-p} , H pulse			50	mV

* For replacement use. No recommended for new designs.