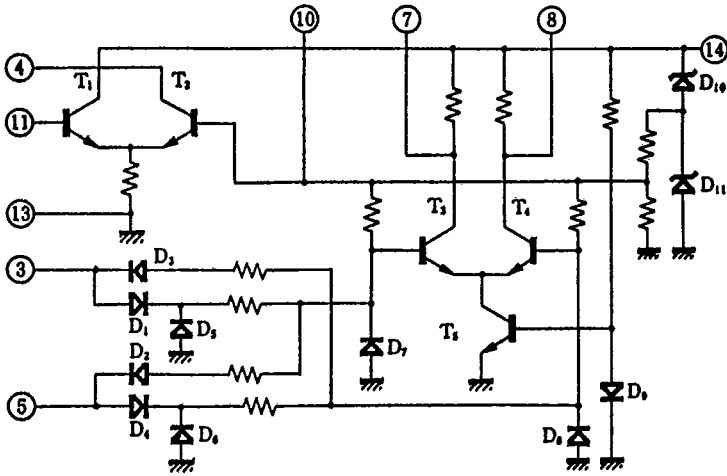
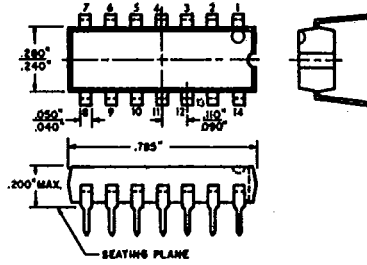
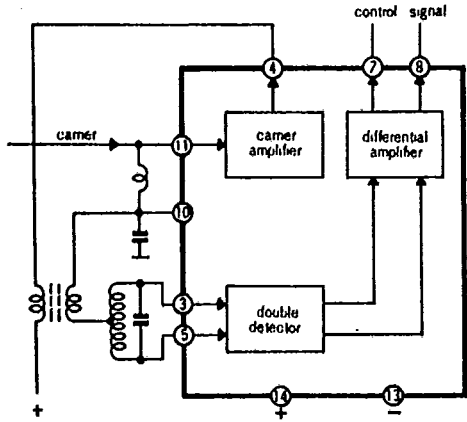


T-77-05-05



# ECG1061

AUTOMATIC FINE TUNING  
COMBINATION



MAXIMUM RATINGS (Ta = 25°C)			ELECTRICAL CHARACTERISTICS (Ta = 25°C)					
ITEM	RATING	UNIT	ITEM	CONDITION	MIN.	TYP.	MAX.	UNIT
V4-13	+20, 0	V	I <sub>tot</sub>	V <sub>CC</sub> = 30V, R <sub>S</sub> = 1.5KΩ	12	12.5	13.5	mA
V7-13	+12, 0	V	I <sub>T</sub>	V <sub>14-13</sub> = 9V	2.5	4	5.5	mA
V8-13	+12, 0	V	V <sub>14-13</sub>	V <sub>CC</sub> = 30V R <sub>S</sub> = 1.5KΩ	10.5	11.2	12	V
I <sub>14</sub>	+50, -50	mA	I <sub>1</sub>		1	2	4	mA
I <sub>4</sub>	+20, -20	mA	V <sub>7-13</sub>		5	6.5	8	V
P <sub>T</sub>	445	mW	V <sub>8-13</sub>		5	6.5	8	V
T <sub>opr</sub>	-20~70	°C	V <sub>7-8</sub>		-1.5	0	1.5	V
T <sub>stg</sub>	-40~150	°C	V <sub>i</sub> (lim.)	f = 58.75MHz		90	120	mV