

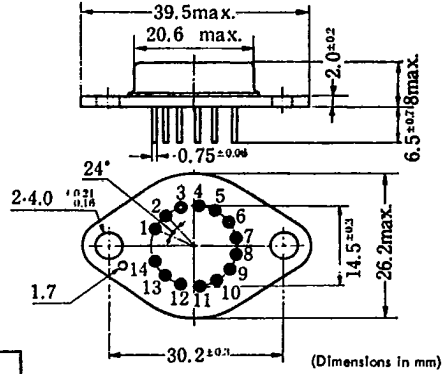
T-74-05-01



ECG1059

AUDIO POWER DRIVER

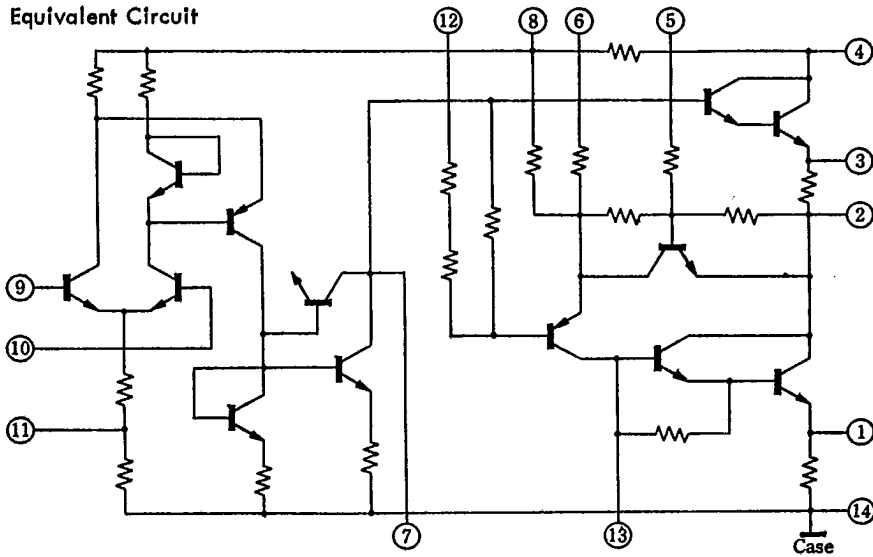
Quick Reference Data		
Symbol	Rating	Unit
V_{CC}	± 16	V
G_v	68	dB
	15	W
Z_{IN}	100	$k\Omega$
I_{tot}	35	mA



Absolute Maximum Ratings ($T_a=25^\circ C$)

Symbol	Rating	Unit
V_{4-14}	40	V
I_4	400	mA _(peak)
P_T	3	W
T_{opr}	-20 ~ +75	$^\circ C$
T_{stg}	-55 ~ +150	$^\circ C$

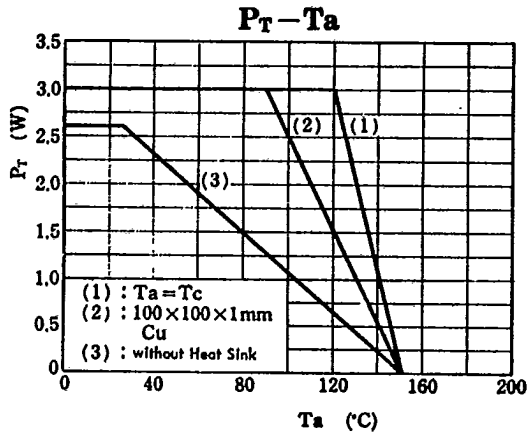
Equivalent Circuit



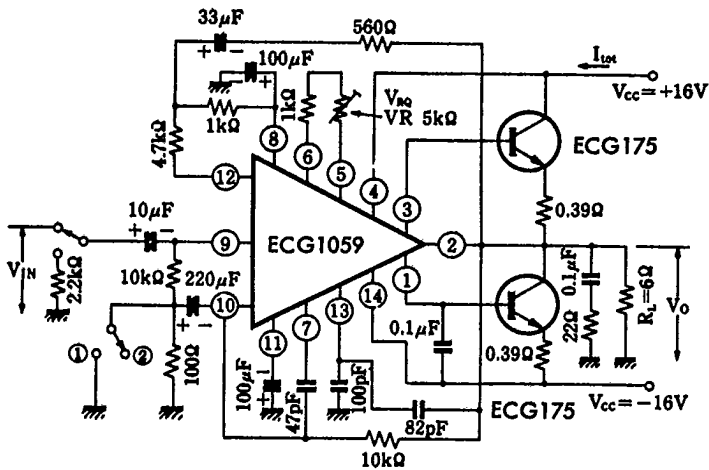
T-74-05-01

Electrical Characteristics (Ta=25°C)

Symbol	Test Condition	min.	typ.	max.	Unit
I_{tot}	$V_{RO}=3.3k\Omega$		35		mA
G_V	$f=1kHz, I_{tot}=35mA$	63			dB
P_o	$f=1kHz, I_{tot}=35mA$ $D_{tot}=3\%$		15		W
D_{tot}	$f=1kHz, I_{tot}=35mA$ $P_o=6W$		0.15		%
V_o	$I_{tot}=35mA, R_L=8\Omega$	-55		+55	mV
V_N	$I_{tot}=35mA, R_0=2.2k\Omega$			1	mV
Z_{IN}	$I_{tot}=35mA$		100		k Ω



TEST CIRCUIT

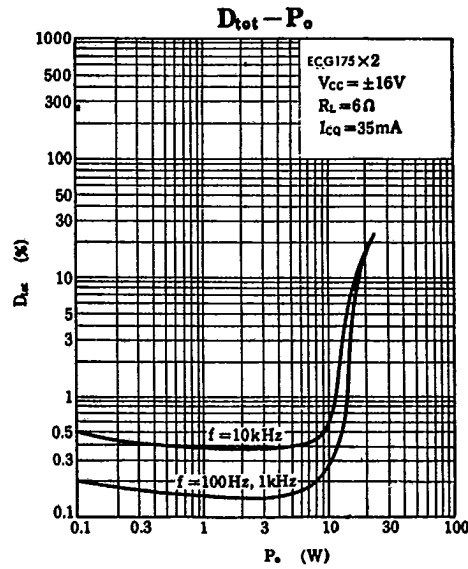
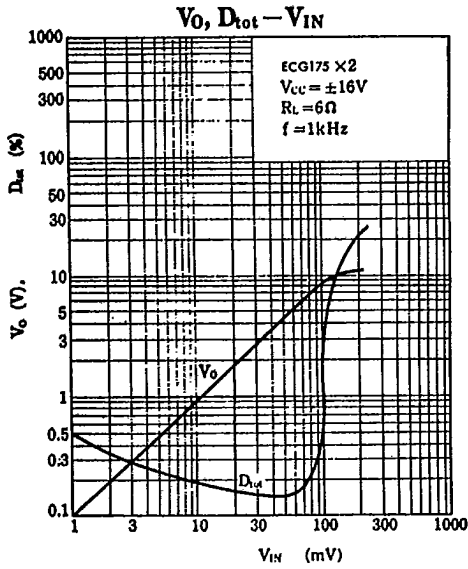
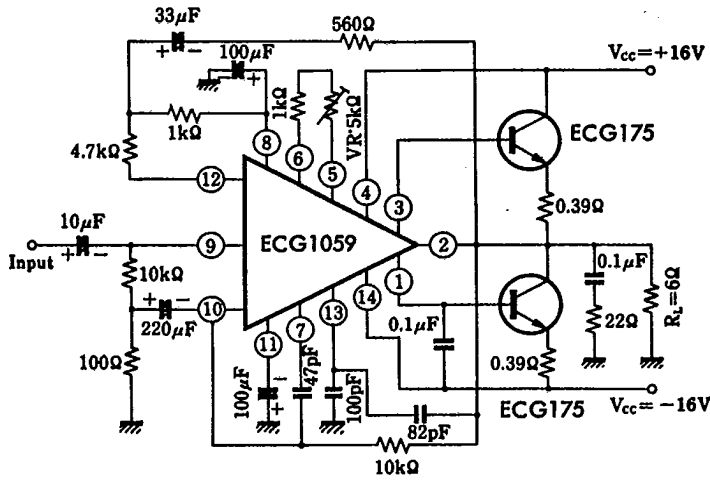


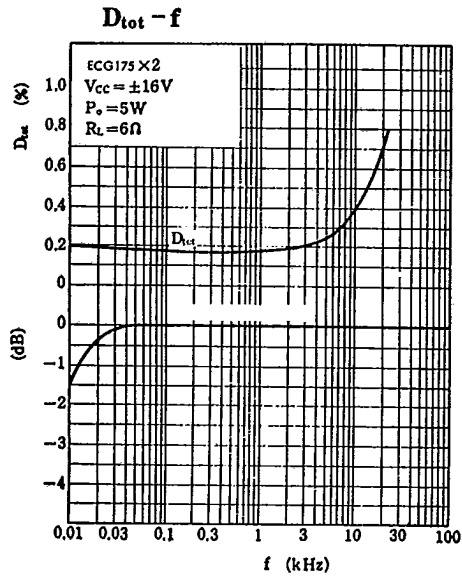
653

ECG1059

T-74-05-01

TYPICAL APPLICATION





T-74-05-01

655

ECG1059