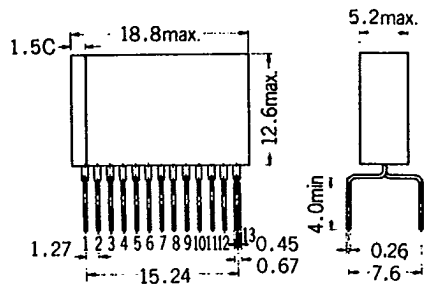
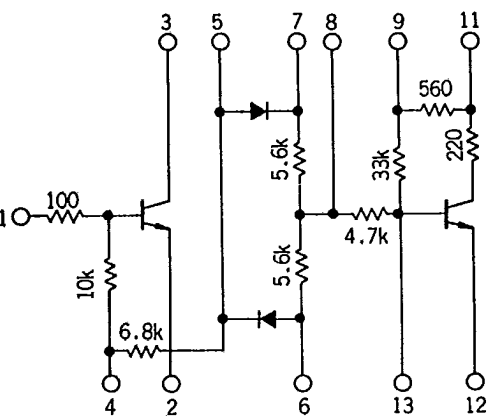


T-77-07-05



**ECG1018**  
**HORIZONTAL OSCILLATOR &**  
**AFC MODULE THIN-FILM**  
**HYBRID**

■ EQUIVALENT CIRCUIT



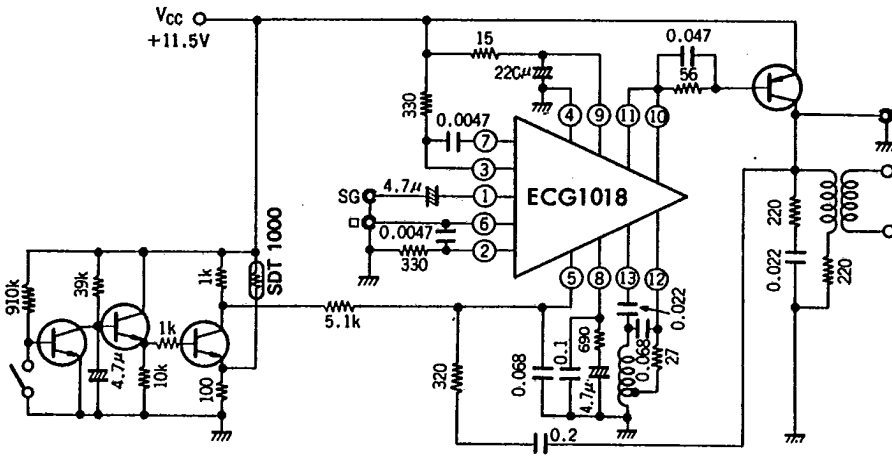
NOTE - DIMENSIONS IN MILLIMETERS

■ ABSOLUTE MAXIMUM RATINGS AT 25°C FREE AIR

Max. Supply Voltage	Max. Current	Dissipation Power	Storage Temperature	Operating Temperature
20V	100 mA	200mW	-20 ~ +100°C	-20 ~ +80°C

■ ELECTRICAL AND OPERATING CHARACTERISTICS AT 25°C FREE AIR

Item	Symbol	Test Condition	ratings			unit
			min.	typ.	max.	
Capture Range		V <sub>cc</sub> =11.5V	180			Hz
Output Voltage		Input = 6V <sub>p-p</sub> Pulse Width = 10 μs Pulse Cycle = 63 μs	11.0			volts



TEST CIRCUIT

535

ECG1018