



ECG1008

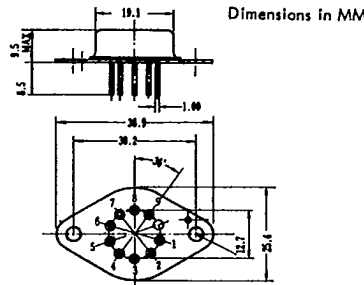
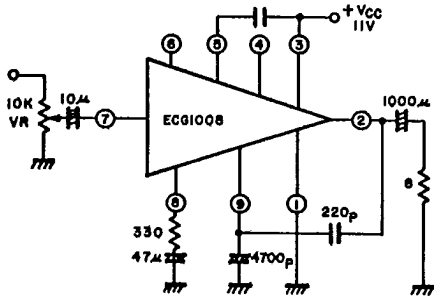
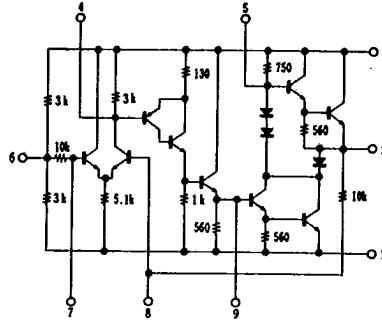
1W AF POWER AMPLIFIER

T-74-05-01

APPLICATION: 1 W typ AF Main Amplifier

EQUIVALENT CIRCUIT

Supply Voltage 11 V
 Load 8 Ohms
 Output Voltage (KF = 10%) 1 W typ.
 Distortion (Po = 0.5 W) 0.5% typ.
 Voltage Gain (f = 1 kHz) 30 dB typ.
 Frequency Response ... 20 Hz - 100 kHz min.
 (-3 dB, VG = 30 dB)



This device is for replacement only and not recommended for new designs. The ECG1009, ECG1010 or ECG1012 are preferred for new designs.

ABSOLUTE MAXIMUM RATINGS at 25°C free air

Max. Supply Voltage	Dissipation Power		Output Current	Storage Temperature	Operating Temperature	Supply Voltage
16 V	2 W	Free Air 1 W	1 A	-30 ~ +100 °C	-20 ~ +80 °C	11 V

ELECTRICAL AND OPERATING CHARACTERISTICS at 25°C free air

Item	Symbol	Test Condition	ratings			unit
			min.	typ.	max.	
Quiescent Current	I _{cc}			15		mA
Voltage Gain	VG			30		dB
Output Power	P _o	THD=10 %		1		W
Power Efficiency	η	P _o =1 W		50		%
Distortion	THD	P _o =0.5 W		0.5		%
Input Resistance	r _i			8		k ohm
Output Resistance	r _o			0.45		ohm
Bandwidth	BW	-3 dB	100			kHz